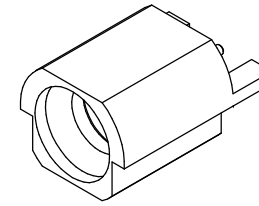
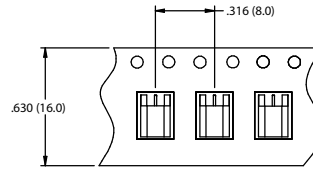
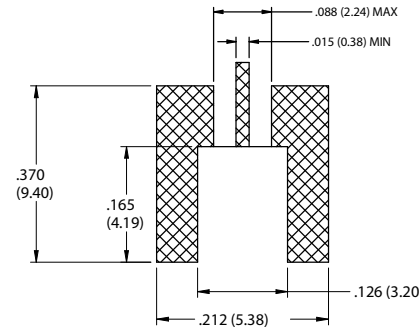
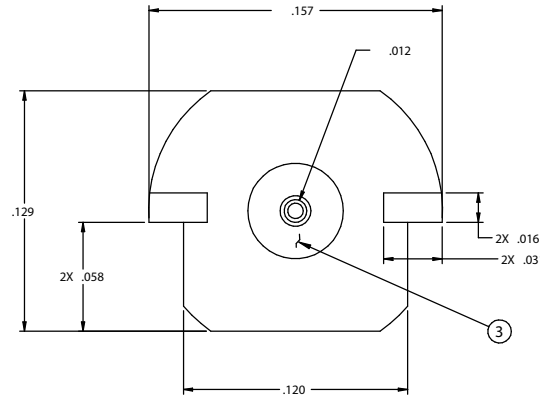
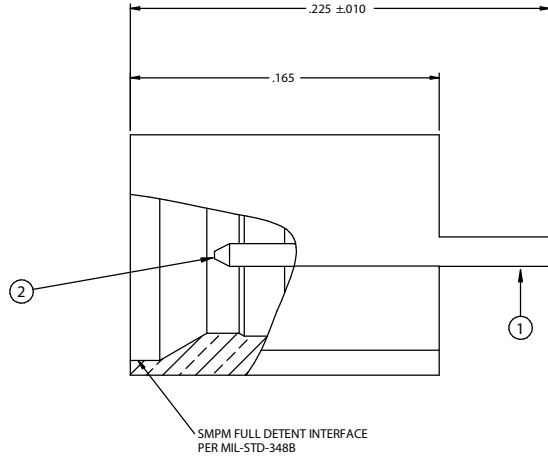


PART NUMBER	PACKAGING	ITEM 1 BODY	ITEM 2 CONTACT	ITEM 3 INSULATOR
125-0701-801	BULK PACK 5 PCS/BAG	BERYLLIUM COPPER GOLD PL .00005 MIN OVER NICKEL PL.00005	BERYLLIUM COPPER GOLD PL .00005 MIN OVER NICKEL PL.00005	TEFLON
125-0701-802	TAPE AND REEL 1000 PCS PER FIG1	MIN OVER COPPER PL.00005 MIN	MIN OVER COPPER PL.00005 MIN	



10:1

FIG 1  
2:1



RECOMMENDED PCB LAYOUT

NOTE: THIS PATTERN IS FOR REFERENCE ONLY.  
PATTERN MAY VARY DEPENDING ON ASSEMBLY  
PROCESS, BOARD TYPE, OR SPECIFIC  
ELECTRICAL OR MECHANICAL REQUIREMENTS.

SPECIFICATION:

IMPEDANCE: 50 OHMS  
 FREQUENCY RANGE: 0-40 GHz  
 VSWR: DEPENDANT ON APPLICATION  
 WORKING VOLTAGE: 325 VRMS MAX AT SEA LEVEL  
 DIELECTRIC WITHSTANDING VOLTAGE: 325 VRMS MIN AT SEA LEVEL  
 INSULATION RESISTANCE: 5000 MEGOHM MIN  
 CONTACT RESISTANCE:  
 CENTER CONTACT - INITIAL 6 MILLIOHM MAX, AFTER ENVIRONMENTAL NOT APPLICABLE  
 OUTER CONDUCTOR - INITIAL 2 MILLIOHM MAX, AFTER ENVIRONMENTAL NOT APPLICABLE  
 RF LEAKAGE: NOT APPLICABLE

MECHANICAL:

ENGAGEMENT FORCE: 4.5 LBS TYPICAL  
 DISENGAGEMENT FORCE: 6.5 LBS TYPICAL  
 CONTACT RETENTION: 1.5 LBS MIN AXIAL FORCE  
 DURABILITY: 100 CYCLES MIN

ENVIRONMENTAL:

OPERATING TEMPERATURE: -65 TO 165°C  
 THERMAL SHOCK: MIL-STD-202, METHOD 107, CONDITION B  
 MECHANICAL SHOCK: MIL-STD-202, METHOD 213, CONDITION ION I  
 CORROSION: MIL-STD-202, METHOD 101  
 VIBRATION: MIL-STD-202, METHOD 204  
 MOISTURE RESISTANCE: MIL-STD-202, METHOD 106, EXC EPT STEP 7B

DRAWING NO.  
125-0701-801/802

REVISIONS

1	RELEASE	R	S	R	L	L	M	ECO-13-0089
4-8-2013								

THIS DRAWING TO BE INTERPRETED  
PER ANSI Y 14.5M - 1994

CUSTOMER COPY

TOLERANCE UNLESS OTHERWISE SPECIFIED		DRAWN BY	DATE
DECIMALS	INCH	R.SHEN	1-27-2013
.XX	±0.010	CHECKED BY	DATE
.X.XX	±0.005	R.SHEN	1-27-2013
.X.XXX	±0.003	APPROVED BY	DATE
ANGLES	±0.5	L.MA	1-28-2013
	U/M		



Connectivity Solutions

TITLE  
SMPM MALE FULL DETENT  
SURFACE MOUNT END LAUNCH

THIS DRAWING WAS PRODUCED BY COMPUTER,  
DO NOT SCALE DRAWING OR UPDATE MANUALLY.

SHEET	DRAWING NO.	SIZE
1 OF 1	125-0701-801/802	C