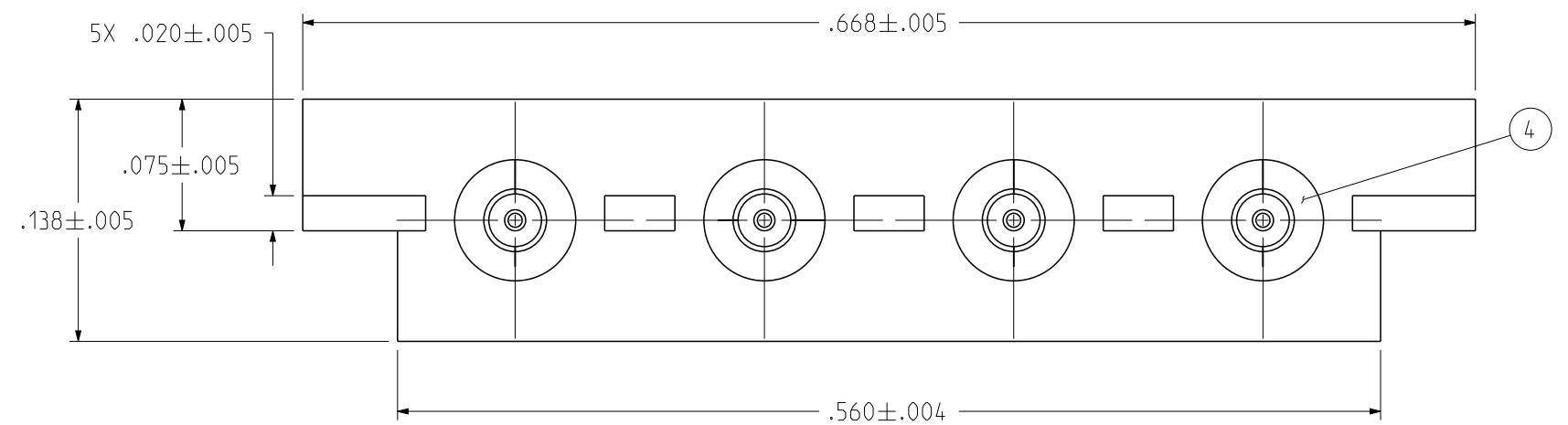
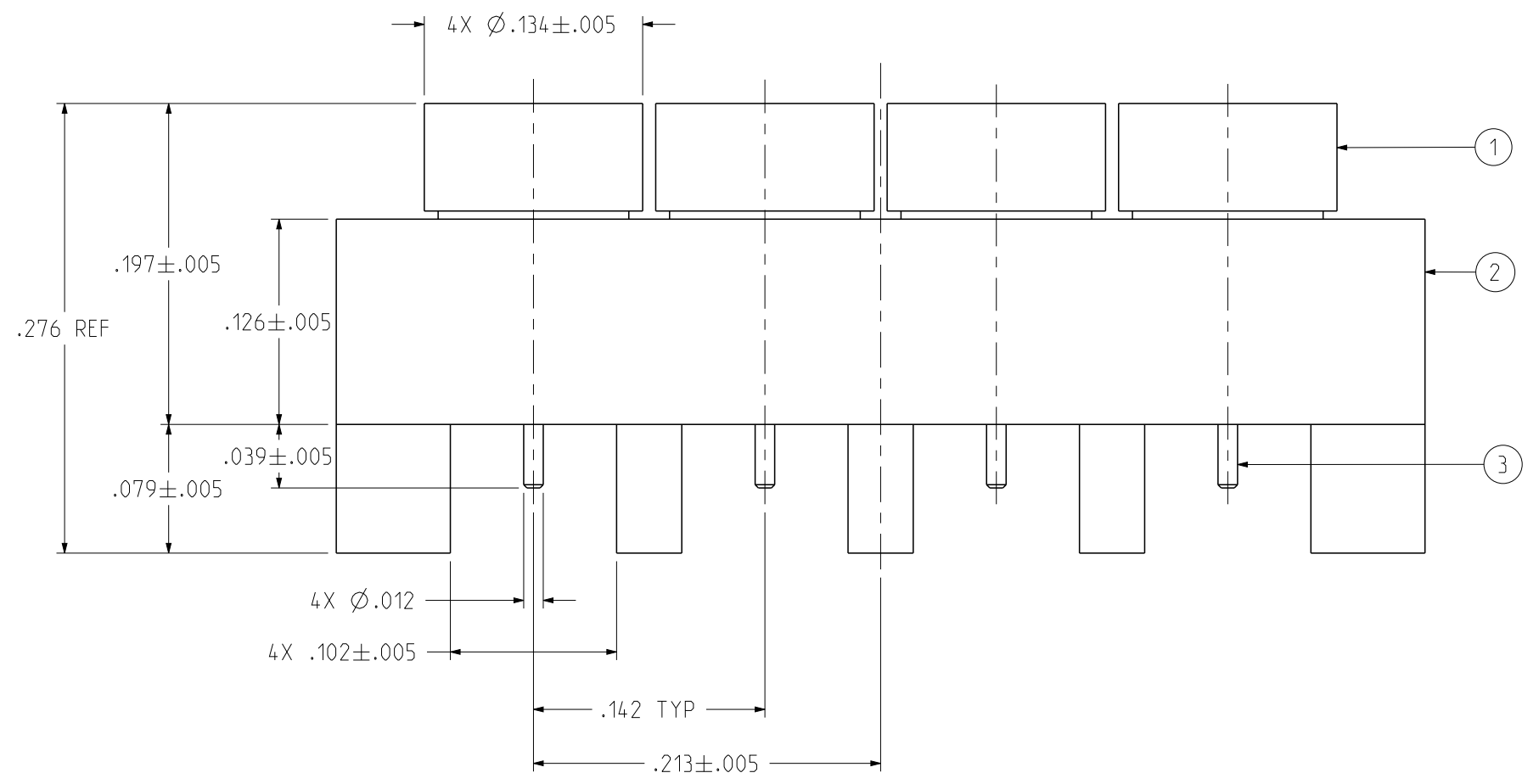
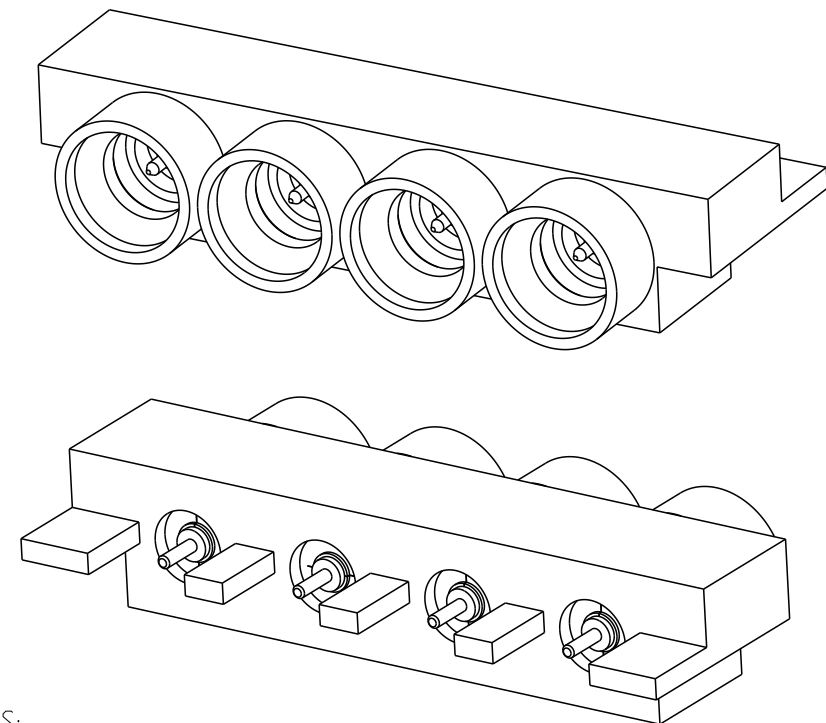


PART NUMBER	ITEM ① INTERFACE INSERT	ITEM ② BASE	ITEM ③ CONTACT	ITEM ④ INSULATOR
125-0701-831	BERYLLIUM COPPER GOLD PL .00005 MIN OVER NICKEL PL .00005 MIN	BRASS GOLD PL .00001 MIN OVER NICKEL PL .00005 MIN	BERYLLIUM COPPER GOLD PL .00005 MIN OVER NICKEL PL .00005 MIN	TEFLON

REV	ECO	DATE
1	INITIAL RELEASE	13OCT2020
2	EC-2102004	03FEB2021



NOTES:

1. ELECTRICAL SPECIFICATIONS:

- 1.1 IMPEDANCE: 50 OHMS
- 1.2 FREQUENCY RANGE: DC-65 GHz
- 1.3 VSWR: 1.35 MAX DC TO 40 GHz  
1.50 MAX 40 GHz TO 65 GHz
- 1.4 WORKING VOLTAGE: 325 VRMS MAX AT SEA LEVEL
- 1.5 DIELECTRIC WITHSTANDING VOLTAGE: 325 VRMS MIN AT SEA LEVEL
- 1.6 INSULATION RESISTANCE: 5000 MEGOHM MIN
- 1.7 CONTACT RESISTANCE:
  - 1.7.1 CENTER CONTACT - INITIAL 6.0 MILLIOHM MAX, AFTER ENVIRONMENTAL NOT APPLICABLE
  - 1.7.2 OUTER CONDUCTOR - INITIAL 2.0 MILLIOHM MAX, AFTER ENVIRONMENTAL NOT APPLICABLE
- 1.8 INSERTION LOSS: 0.1 √F (GHz) dB MAX

2. MECHANICAL SPECIFICATIONS:

- 2.1 ENGAGEMENT FORCE: 4.5 LBS MAX
- 2.2 DISENGAGEMENT FORCE: 6.5 LBS MIN
- 2.3 DURABILITY: 100 CYCLES MIN

3. ENVIRONMENTAL:

- 3.1 OPERATING TEMPERATURE: -65 °C TO 165 °C
- 3.2 THERMAL SHOCK: MIL-STD-202, METHOD 107, CONDITION B, EXCEPT 165°C HIGH TEMP
- 3.3 MECHANICAL SHOCK: MIL-STD-202, METHOD 213, CONDITION I
- 3.4 CORROSION: MIL-STD-202, METHOD 101, CONDITION B
- 3.5 VIBRATION: MIL-STD-202, METHOD 204, CONDITION D
- 3.6 MOISTURE RESISTANCE: MIL-STD-202, METHOD 106, EXCEPT STEP 7B OMITTED

<p>This PROPRIETARY Document is property of Cinch Connectivity Solutions. It is confidential in nature, non-transferable, and issued with the clear understanding that it is not traced or copied without permission and is returnable upon demand.</p> <p>INTERPRET DRAWING IN ACCORDANCE WITH ASME Y14.5-2009.</p>	<p>Model No: 125-0701-831/840</p> <p>RoHS <input checked="" type="checkbox"/> (EU)/2015/863 COMPLIANT</p> <p>UNLESS OTHERWISE SPECIFIED UNITS: INCH</p> <p>.XX ± .01 .XXX ± .003 .XXXX ± .0010 ANGLE ± 2°</p>	<p>Cage Code</p> <p>3RD ANGLE PROJECTION</p> <p>Drawn by: TOMMY REN</p> <p>Date: 10/13/2020</p>	<p>Title: JOHNSON</p> <p>SMPM MALE FULL DETENT 4-PORT PCB EDGE LAUNCH</p> <p>Drawing No. 125-0701-831/840</p> <p>Size B</p> <p>DO NOT SCALE DRAWING</p> <p>Workmanship Std/Sheet NONE</p>	<p>REV. 2</p> <p>1 OF 1</p>
--	---	---	---	-----------------------------