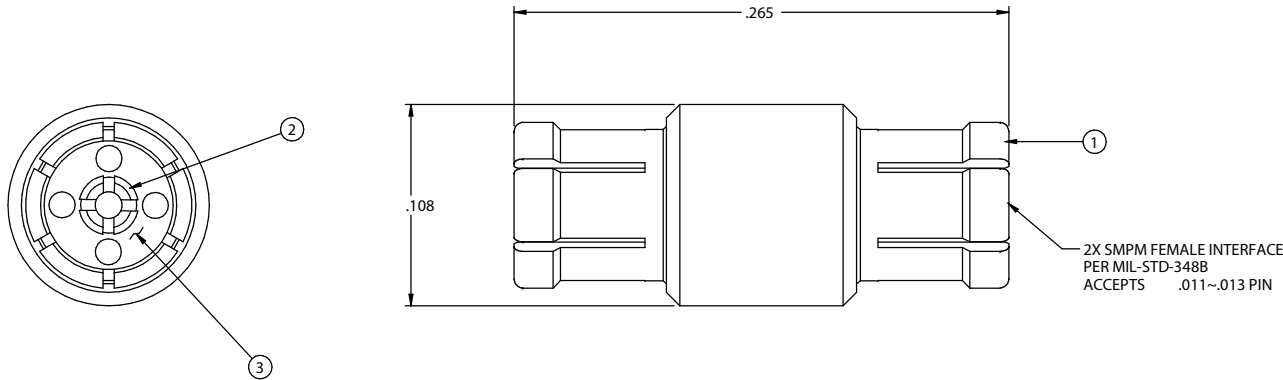
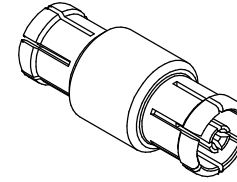


PART NUMBER	ITEM 1 BODY	ITEM 2 CONTACT	ITEM 3 INSULATOR
125-0901-801	BERYLLIUM COPPER GOLD PL. .00005 MIN OVER NICKEL PL.00005 MIN OVER COPPER PL.00005 MIN	BERYLLIUM COPPER GOLD PL. .00005 MIN OVER NICKEL PL.00005 MIN OVER COPPER PL.00005 MIN	TEFLON

DRAWING NO. 125-0901-801			
REVISIONS			
1	RELEASE		
11-05-2013	R S	L M	ECO-13-0286



2X SMPM FEMALE INTERFACE  
PER MIL-STD-348B  
ACCEPTS .011~.013 PIN

**SPECIFICATION:**

IMPEDANCE: 50 OHMS  
 FREQUENCY RANGE: 0-65 GHz  
 VSWR: 1.15 MAX TO 18GHz, 1.25 MAX TO 40GHz and 1 .45 MAX TO 65GHz  
 INSERTION LOSS: 0.10 F dB MAX (F IN GHz)  
 WORKING VOLTAGE: 325 VRMS MAX AT SEA LEVEL  
 DIELECTRIC WITHSTANDING VOLTAGE: 325 VRMS MIN AT SEA LEVEL  
 INSULATION RESISTANCE: 5000 MEGOHM MIN  
 CONTACT RESISTANCE:  
 CENTER CONTACT - INITIAL 6 MILLIOHM MA X, AFTER ENVIRONMENTAL NOT APPLICABLE  
 OUTER CONDUCTOR - INITIAL 2 MILLIOHM MAX, AFTER ENVIRONMENTAL NOT APPLICABLE  
 RF LEAKAGE: -65dB TYPICAL AT 3GHz

**MECHANICAL:**

ENGAGEMENT FORCE: FULL DETENT(FD) 4.5LBS TYPICAL; SMOOTH BORE(SB) 2.5LBS TYPICAL  
 DISENGAGEMENT FORCE: FD 6.5LBS TYPICAL; SB 1.5LB S TYPICAL  
 CONTACT RETENTION: 1.5 LBS MIN AXIAL FORCE  
 MISALIGNMENT: RADIAL +/- .010 AXIAL .010 (FLUS H TO .010 FROM THE REFERENCE PLANE)  
 DURABILITY: FD 100 CYCLES MIN; SB 500 CYCLES MIN

**ENVIRONMENTAL:**

OPERATING TEMPERATUR: -65 TO 165°C  
 THERMAL SHOCK: MIL-STD-202, METHOD 107, CONDITION B  
 MECHANICAL SHOCK: MIL-STD-202, METHOD 213, CONDIT ION I  
 CORROSION: MIL-STD-202, METHOD 101  
 VIBRATION: MIL-STD-202, METHOD 204  
 MOISTURE RESISTANCE: MIL-STD-202, MEHTOD 106, EXC EPT STEP 7B

THIS DRAWING TO BE INTERPRETED  
PER ANSI Y 14.5M - 1994

CUSTOMER COPY

TOLERANCE UNLESS OTHERWISE SPECIFIED		DRAWN BY R.SHEN	DATE 9-27-2013
DECIMALS	INCH	CHECKED BY R.SHEN	DATE 9-27-2013
X.X	±0.02	APPROVED BY L.MA	DATE 9-28-2013
X.XX	±0.01		
X.XXX	±0.005		
ANGLES	±0.5	U/M INCH	
THIS DRAWING WAS PRODUCED BY COMPUTER, DO NOT SCALE DRAWING OR UPDATE MANUALLY.			

<b>TITLE</b> SMPM BULLET ADAPTER .265" LENGTH	
SHEET 1 OF 1	DRAWING NO. 125-0901-801
SIZE C	