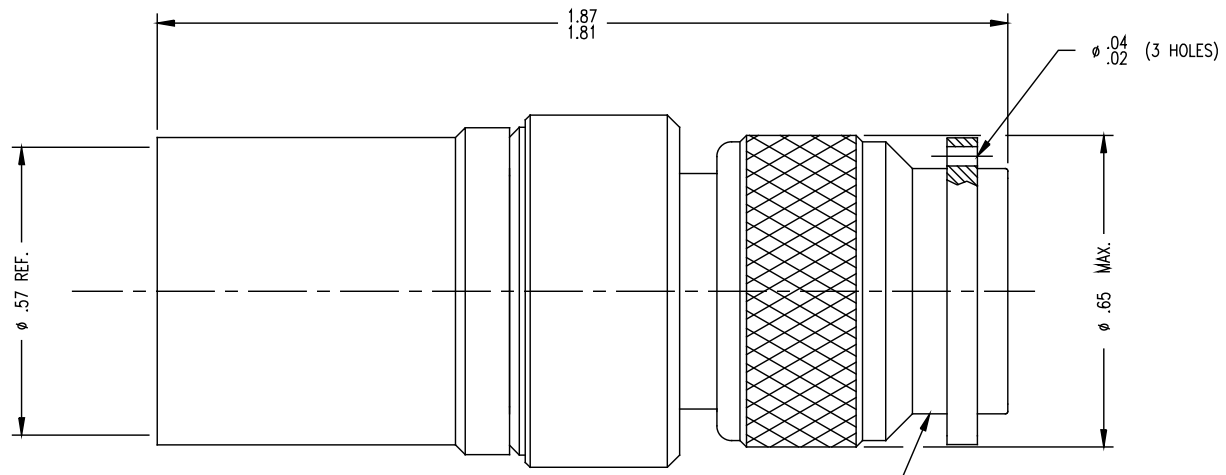


GSD

125-105-9




NOTES:

1. FOR USE WITH BOEING S280W503-6 & ADAMS RUSSELL FC48Z CABLE.
2. FOR CABLING INSTRUCTIONS SEE 3-546-2.
3. FOR CRIMPING USE DIE KTH-2229.
4. INTERFACE PER MIL-STD-348, FIG. 313-1.
5. CENTER CONTACT, 1-7446-1MA9, SUPPLIED UNASSEMBLED.
6. MARK PACKAGE: KINGS 125-105-9  
XXXX (DATE CODE)
7. MATERIALS:  
INSULATOR: TEFLON, ASTM-D4894  
K-GRIP SLEEVE: COM. BRONZE, ASTM-B140  
OUTER CONTACT: BER. COPPER, ASTM-B196  
GASKET: SILICONE RUBBER, A-A-59588  
C-RING: PHOSPHOR BRONZE, ASTM-B103  
ALL OTHER METAL PARTS: BRASS, ASTM-B16
8. FINISHES:  
CENTER CONTACT: GOLD PLATE, PER MIL-G-45204  
OUTER CONTACT: SILVER PLATE PER QQ-S-365  
ALL OTHER METAL PARTS: KINGS TARNISH RESISTANT NICKEL FINISH (TR-5)
9. ELECTRICAL CHARACTERISTICS:  
NOMINAL IMPEDANCE: 50 OHMS  
WORKING VOLTAGE: 500 VRMS  
FREQUENCY RANGE: DC TO 11 GHZ

STAMP: KINGS 125-105-9

REVISIONS	
ISSUE	CHANGES
0	ER 35986 ME 12/19/94
1	CN 35776 E KH 02/24/95
2	CN 39557 E DRK 08/04/06

SCALE	4:1		
APPROX SURFACE AREA			
WAS:	E-18477		
USED ON			
REF:	LOCKHEED		
PLUG, TNC			
DRAWN	MJB	DATE	08/09/94
DESIGN	CT	DATE	08/09/94
APPR.		DATE	
 <b>KINGS</b> ELECTRONICS CO., INC. ROCK HILL, SOUTH CAROLINA 29730			
125-105-9			

GSD