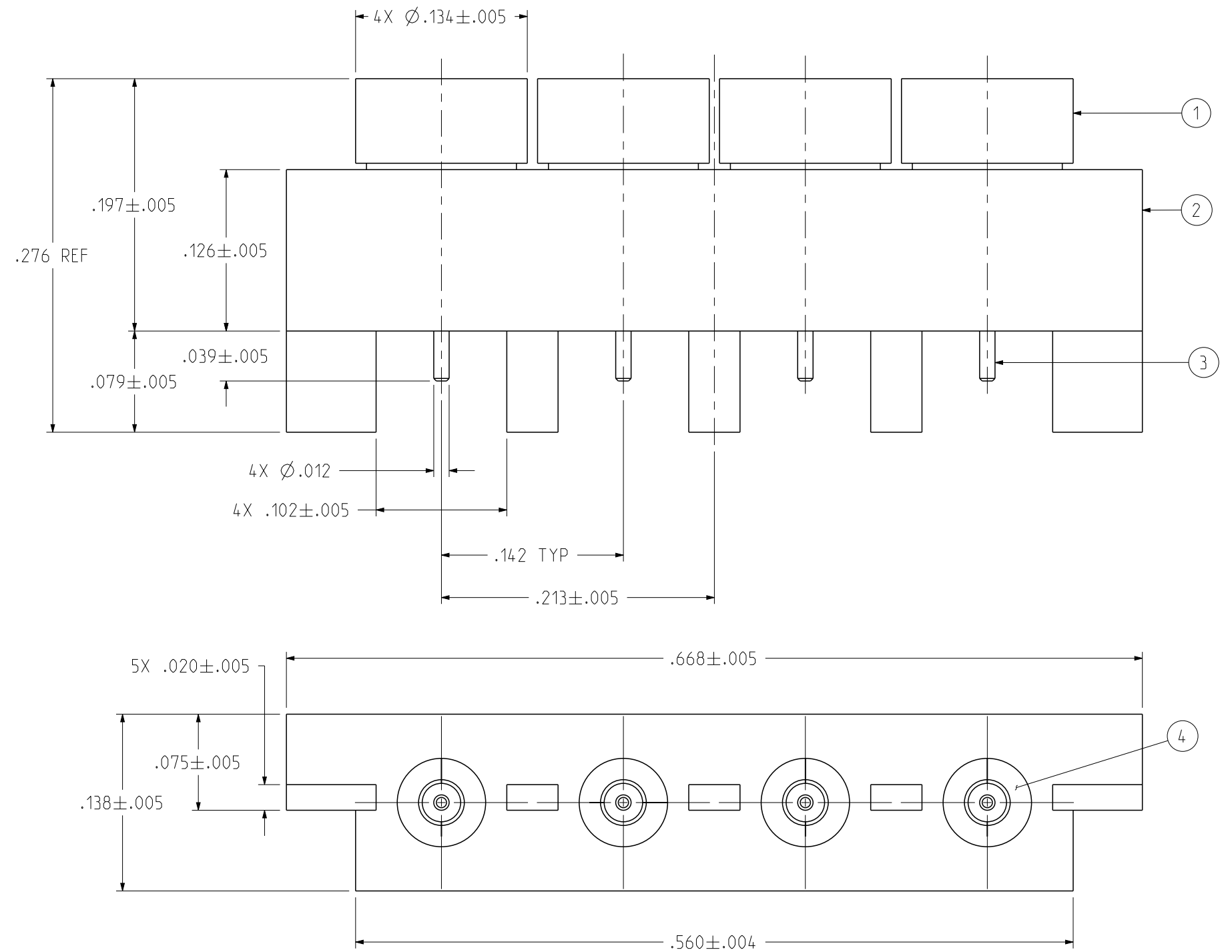
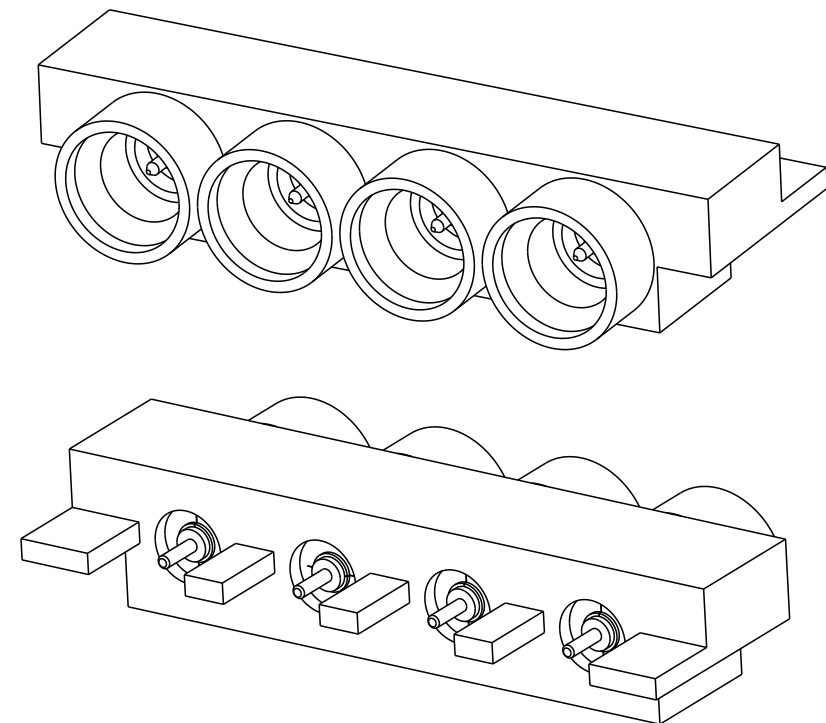


| PART NUMBER  | ITEM ①<br>INTERFACE INSERT  | ITEM ②<br>BASE   | ITEM ③<br>CONTACT   | ITEM ④<br>INSULATOR |
|--------------|---|--|---|---------------------|
| 125-2701-821 | BERYLLIUM COPPER<br>GOLD PL .00005 MIN OVER<br>NICKEL PL .00005 MIN | BRASS<br>GOLD PL .00001 MIN OVER<br>NICKEL PL .00005 MIN | BERYLLIUM COPPER<br>GOLD PL .00005 MIN OVER<br>NICKEL PL .00005 MIN | TEFLON              |

| REV | ECO             | DATE      |
|-----|-----------------|-----------|
| 1   | INITIAL RELEASE | 13OCT2020 |
| 2   | EC-2102004      | 03FEB2021 |



NOTES:

1. ELECTRICAL SPECIFICATIONS:

- 1.1 IMPEDANCE: 50 OHMS
- 1.2 FREQUENCY RANGE: DC-65 GHz
- 1.3 VSWR: 1.35 MAX DC TO 40 GHz  
1.50 MAX 40 GHz TO 65 GHz
- 1.4 WORKING VOLTAGE: 325 VRMS MAX AT SEA LEVEL
- 1.5 DIELECTRIC WITHSTANDING VOLTAGE: 325 VRMS MIN AT SEA LEVEL
- 1.6 INSULATION RESISTANCE: 5000 MEGOHM MIN
- 1.7 CONTACT RESISTANCE:
  - 1.7.1 CENTER CONTACT - INITIAL 6.0 MILLIOHM MAX, AFTER ENVIRONMENTAL NOT APPLICABLE
  - 1.7.2 OUTER CONDUCTOR - INITIAL 2.0 MILLIOHM MAX, AFTER ENVIRONMENTAL NOT APPLICABLE
- 1.8 INSERTION LOSS: 0.1 √F (GHz) dB MAX

2. MECHANICAL SPECIFICATIONS:

- 2.1 ENGAGEMENT FORCE: 2.5 LBS MAX
- 2.2 DISENGAGEMENT FORCE: 1.5 LBS MIN
- 2.3 DURABILITY: 500 CYCLES MIN

3. ENVIRONMENTAL:

- 3.1 OPERATING TEMPERATURE: -65 °C TO 165 °C
- 3.2 THERMAL SHOCK: MIL-STD-202, METHOD 107, CONDITION B, EXCEPT 165°C HIGH TEMP
- 3.3 MECHANICAL SHOCK: MIL-STD-202, METHOD 213, CONDITION I
- 3.4 CORROSION: MIL-STD-202, METHOD 101, CONDITION B
- 3.5 VIBRATION: MIL-STD-202, METHOD 204, CONDITION D
- 3.6 MOISTURE RESISTANCE: MIL-STD-202, METHOD 106, EXCEPT STEP 7B OMITTED

|  |   |  |  |
|--|---|--|--|
|  | Model No. 125-2701-821/830  | JOHNSON  |  |
|  | RoHS <input checked="" type="checkbox"/> (EU)/2015/863 COMPLIANT<br>UNLESS OTHERWISE SPECIFIED UNITS: INCH<br>.XX ± .01<br>.XXX ± .003<br>.XXXX ± .0010<br>ANGLE ± 2° | Cage Code<br>3RD ANGLE PROJECTION<br>Drawn by: TOMMY REN<br>Date: 10/13/2020 | Title: SMPM MALE SMOOTH BORE 4-PORT PCB EDGE LAUNCH<br>Drawing No. 125-2701-821/830<br>Size B DO NOT SCALE DRAWING<br>Workmanship Std/Sheet NONE |