

TK 1313 – Polystyrene and Polycarbonate – 130x130mm (5.12x5.12in.)

Standard Features

- **Protection Level:** IP66 (NEMA 4X)
- **Technical:** Smooth or Knockout Sidewalls
Gray or Tinted Transparent Cover ^①
Multiple Enclosure Mounting Options
- **Enclosure Material:** Polystyrene or Polycarbonate
- **Gasket Material:** Polyurethane
- **Color:** Light Gray
- **Temperature Range:** Polystyrene
-40°C to 70°C (-40°F to 158°F)
Polycarbonate
-35°C to 120°C (-31°F to 248°F)
- **Accessories:** See section below



Smooth Sidewalls

Polystyrene

Polycarbonate

Ordering Information	Height mm (in)	Cat. No.	Type	Cover Color	Std. Pk.	Cat. No.	Type	Cover Color	Std. Pk.
☐ Enclosure - low cover	75 mm (2.95 in)	110-405	PS 1313-7-o	gray	2	120-405	PC 1313-7-o	gray	2
☐ Enclosure - high cover	99 mm (3.90 in)	110-905	PS 1313-10-o	gray	2	120-905	PC 1313-10-o	gray	2
☐ Enclosure - low cover	75 mm (2.95 in)	111-005	PS 1313-7-to	trans.	2	130-005	PC 1313-7-to	trans.	2
☐ Enclosure - high cover	99 mm (3.90 in)	111-505	PS 1313-10-to	trans.	2	130-505	PC 1313-10-to	trans.	2

Sidewalls with PG Knockouts (metric available)

Polystyrene

Polycarbonate

Ordering Information	Height mm (in)	Cat. No.	Type	Cover Color	Std. Pk.	Cat. No.	Type	Cover Color	Std. Pk.
☐ Enclosure - low cover	75 mm (2.95 in)	115-405	PS 1313-7	gray	2	125-405	PC 1313-7	gray	2
☐ Enclosure - high cover	99 mm (3.90 in)	115-905	PS 1313-10	gray	2	125-905	PC 1313-10	gray	2
☐ Enclosure - low cover	75 mm (2.95 in)	116-005	PS 1313-7-t	trans.	2	135-005	PC 1313-7-t	trans.	2
☐ Enclosure - high cover	99 mm (3.90 in)	116-505	PS 1313-10-t	trans.	2	135-505	PC 1313-10-t	trans.	2

RK Enclosures with Terminal Blocks

Ordering Information	Height	Cat. No.	Type	Cover Color	Std. Pk.
Enclosure - 15 pole/10 AWG Terminal	75 mm (2.95 in)	613-404	RK1313	gray	2
Enclosure - DIN Rail only (TS35)	75 mm (2.95 in)	613-906	RK1313	gray	2

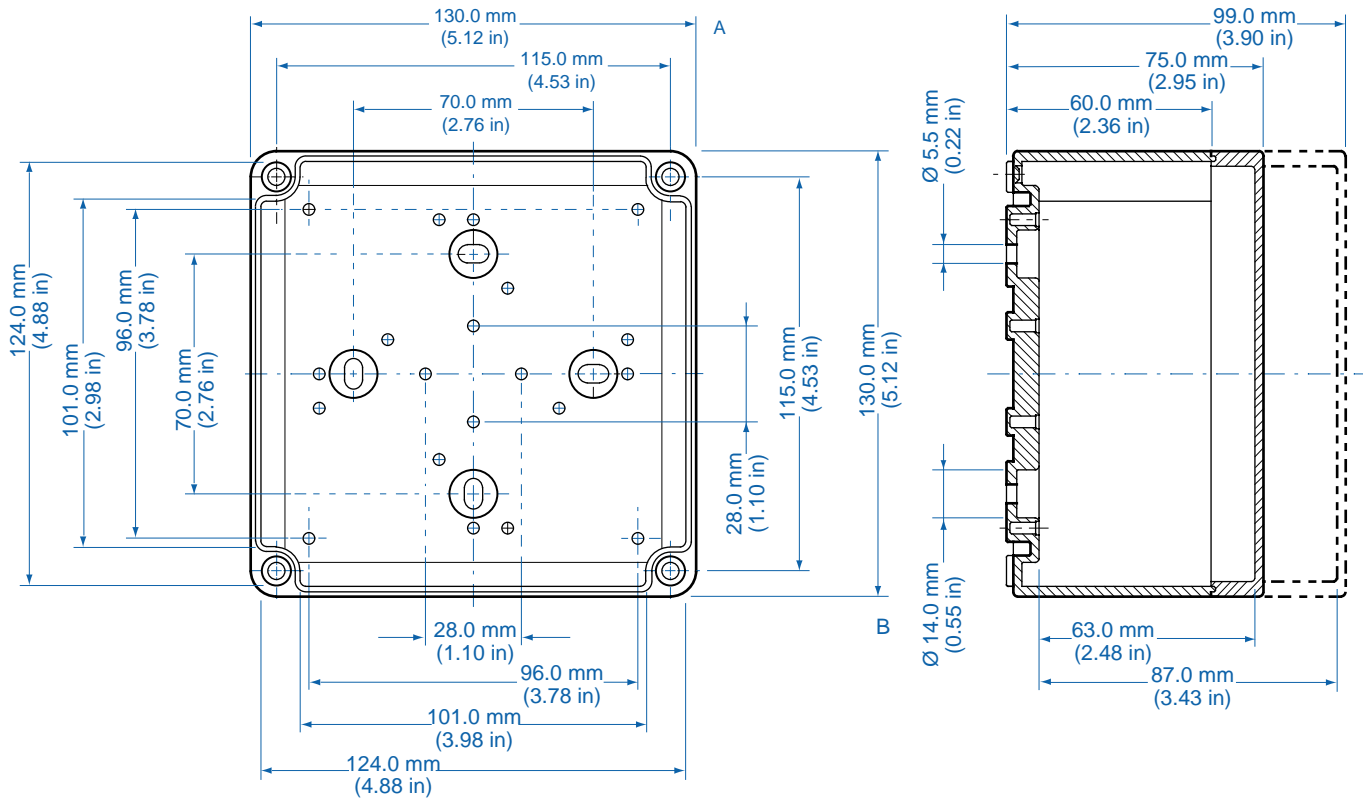
Accessories

Ordering Information	Cat. No.	Type	Std. Pk.
Mounting Plate	195-005	MP1313	1
DIN Rail TS35-106mm	Z-658	TS 35/106	1
DIN Rail TS15-111mm	Z-632	TS 15/111	1
Hinge Kit Set	190-002	HK1	1
Mounting Tab Kit	194-001	MT1	1

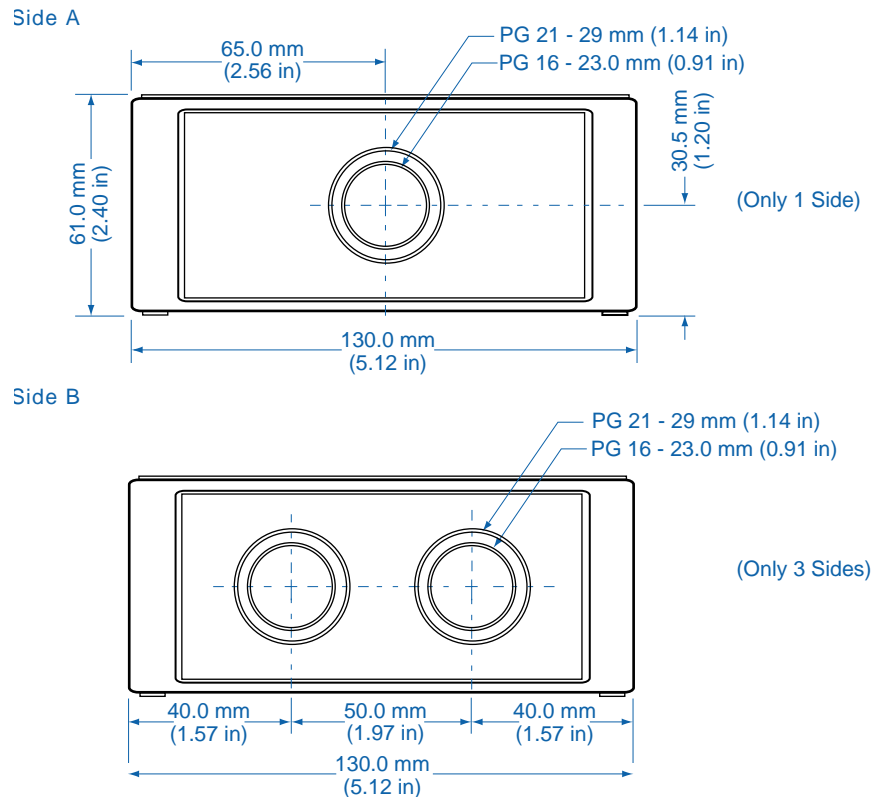
Please refer to pages 106-113 for additional accessories and detailed information.

^① Clear transparent lids available upon request

Dimensions



Knockout Positions [®]



[®] Metric knockouts available upon request