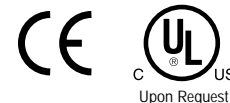


# TK 1309 – Polystyrene and Polycarbonate – 130x94mm (5.12x3.70in.)

## Standard Features

- **Protection Level:** IP66 (NEMA 4X)
- **Technical:** Smooth or Knockout Sidewalls  
Gray or Tinted Transparent Cover <sup>①</sup>  
Multiple Enclosure Mounting Options
- **Enclosure Material:** Polystyrene or Polycarbonate
- **Gasket Material:** Polyurethane
- **Color:** Light Gray
- **Temperature Range:** Polystyrene  
-40°C to 70°C (-40°F to 158°F)  
Polycarbonate  
-35°C to 120°C (-31°F to 248°F)
- **Accessories:** See section below



## Smooth Sidewalls

### Polystyrene

### Polycarbonate

| Ordering Information     | Height mm (in)  | Cat. No. | Type         | Cover Color | Std. Pk. | Cat. No. | Type         | Cover Color | Std. Pk. |
|--------------------------|-----------------|----------|--------------|-------------|----------|----------|--------------|-------------|----------|
| ☐ Enclosure - low cover  | 57 mm (2.24 in) | 110-409  | PS 1309-6-o  | gray        | 3        | 120-409  | PC 1309-6-o  | gray        | 3        |
| ☐ Enclosure - high cover | 81 mm (3.19 in) | 110-909  | PS 1309-8-o  | gray        | 3        | 120-909  | PC 1309-8-o  | gray        | 3        |
| ☐ Enclosure - low cover  | 57 mm (2.24 in) | 111-009  | PS 1309-6-to | trans.      | 3        | 130-009  | PC 1309-6-to | trans.      | 3        |
| ☐ Enclosure - high cover | 81 mm (3.19 in) | 111-509  | PS 1309-8-to | trans.      | 3        | 130-509  | PC 1309-8-to | trans.      | 3        |

## Sidewalls with PG Knockouts (metric available)

### Polystyrene

### Polycarbonate

| Ordering Information     | Height mm (in)  | Cat. No. | Type        | Cover Color | Std. Pk. | Cat. No. | Type        | Cover Color | Std. Pk. |
|--------------------------|-----------------|----------|-------------|-------------|----------|----------|-------------|-------------|----------|
| ☐ Enclosure - low cover  | 57 mm (2.24 in) | 115-409  | PS 1309-6   | gray        | 3        | 125-409  | PC 1309-6   | gray        | 3        |
| ☐ Enclosure - high cover | 81 mm (3.19 in) | 115-909  | PS 1309-8   | gray        | 3        | 125-909  | PC 1309-8   | gray        | 3        |
| ☐ Enclosure - low cover  | 57 mm (2.24 in) | 116-009  | PS 1309-6-t | trans.      | 3        | 135-009  | PC 1309-6-t | trans.      | 3        |
| ☐ Enclosure - high cover | 81 mm (3.19 in) | 116-509  | PS 1309-8-t | trans.      | 3        | 135-509  | PC 1309-8-t | trans.      | 3        |

## RK Enclosures with Terminal Blocks

| Ordering Information                | Height          | Cat. No. | Type   | Cover Color | Std. Pk. |
|-------------------------------------|-----------------|----------|--------|-------------|----------|
| Enclosure - 15 pole/12 AWG Terminal | 57 mm (2.24 in) | 612-404  | RK1309 | gray        | 3        |
| Enclosure - DIN Rail only (TS15)    | 57 mm (2.24 in) | 612-904  | RK1309 | gray        | 3        |

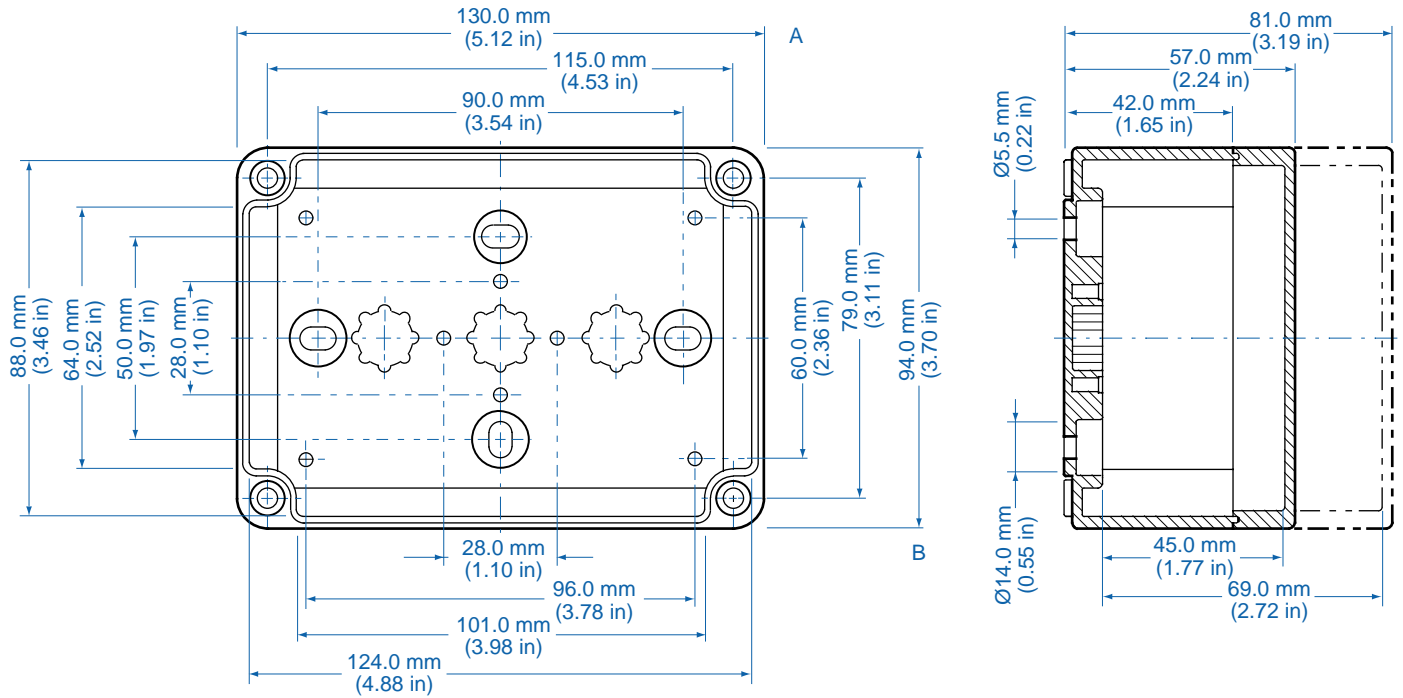
## Accessories

| Ordering Information | Cat. No. | Type      | Std. Pk. |
|----------------------|----------|-----------|----------|
| Mounting Plate       | 195-009  | MP1309    | 1        |
| DIN Rail TS35-106mm  | Z-658    | TS 35/106 | 1        |
| DIN Rail TS15-111mm  | Z-632    | TS 15/111 | 1        |
| Hinge Kit Set        | 190-002  | HK1       | 1        |
| Mounting Tab Kit     | 194-001  | MT1       | 1        |

Please refer to pages 106-113 for additional accessories and detailed information.

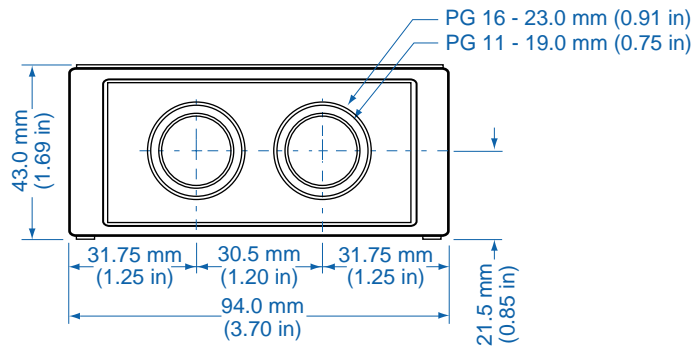
<sup>①</sup> Clear transparent lids available upon request

Dimensions

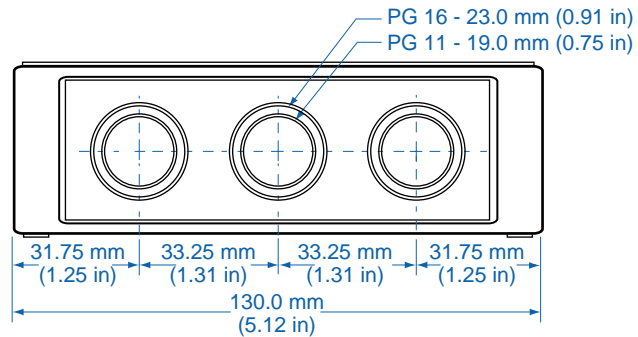


Knockout Positions <sup>®</sup>

Side A



Side B



<sup>®</sup> Metric knockouts available upon request