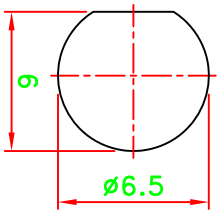
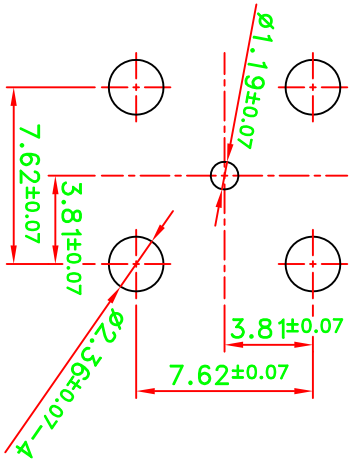


REV	DESCRIPTION\PER REQUEST	DRAWN	DATE

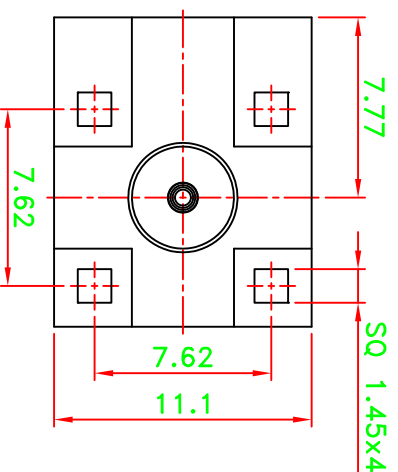
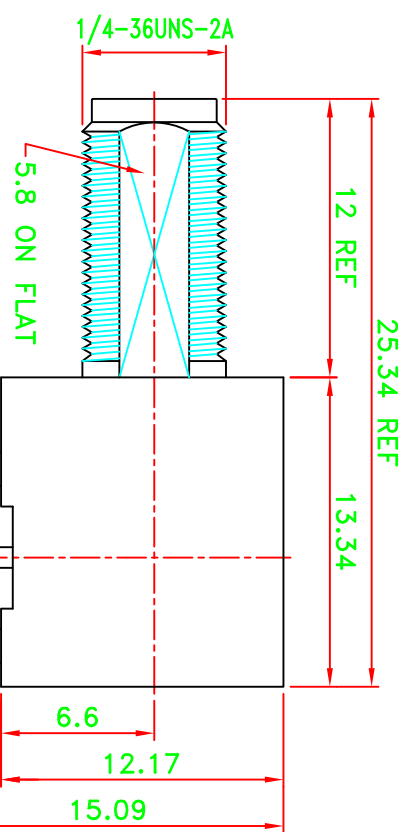
VSWR:1.5 Max.
 Per Mil-STD /94
 RoHS Compliant
 50 OHM Impedance
 Operation temperature:-40 to 65 C



RECOMMENDED
MOUNTING HOLE



PCB MOUNTING HOLES



NO	DESCRIPTION/DRAWING NO.	Q'TY	MATERIAL	FINISH
5	INSULATOR	1	PTFE	NATURAL
4	INSULATOR	1	PTFE	NATURAL
3	PIN	1	PHOS. BRONZE	GOLD
2	BODY	1	BRASS	NICKEL
1	BODY	1	BRASS	NICKEL

PART NO.	1261A514FSMA
APPROVED	DATE 10/30/14
CHECKED	DATE 10/30/14
DRAWN	DATE 10/30/14

SCALE	3/1	UNIT	mm
* MAJOR DIMENSION			
UNLESS OTHERWISE NOTED TOLERANCES			
0.5-6 = ±0.2			
6-30 = ±0.4			
30-120 = ±0.6			
120-315 = ±1.0			
ANGLES = ±5°			

TITLE	SMA R/A P.C. BOARD MOUNT JACK
DRAWING NO.	ASSMA-10479-TGN
REV	B
FILE NO.	W:\77\AS\ASSMA\ASSMA-10479-TGN Winchester-->20141030

Bomar Interconnect Products, Inc

Kdi