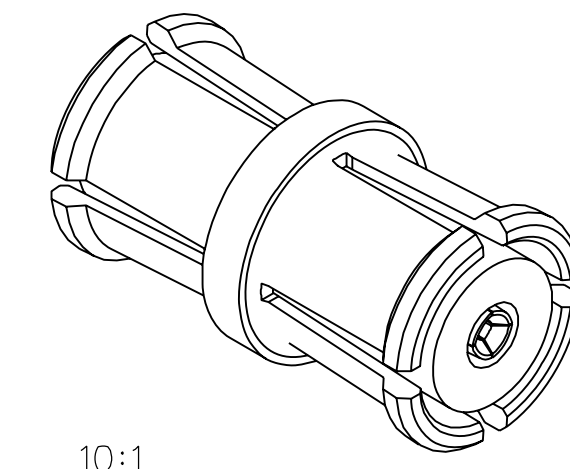
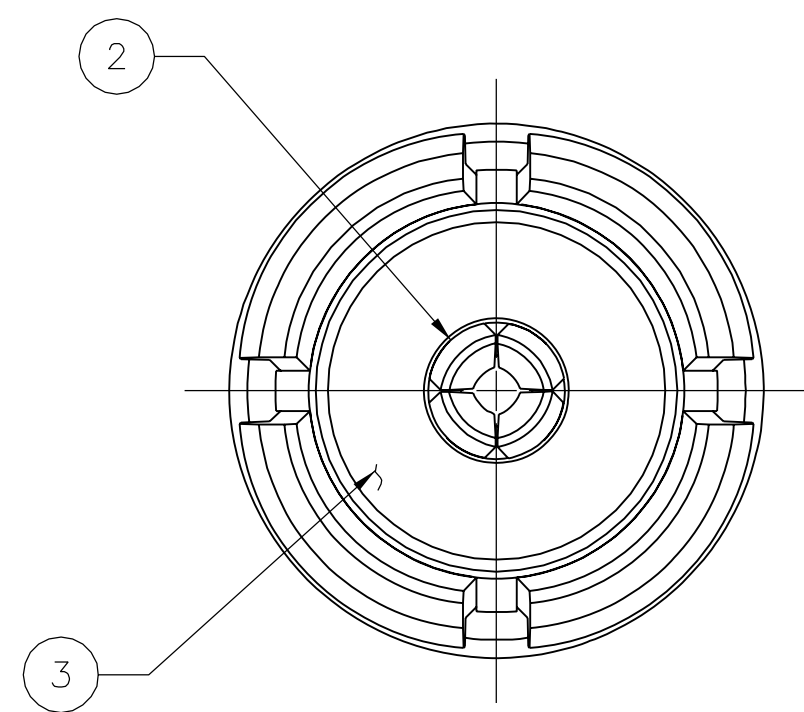
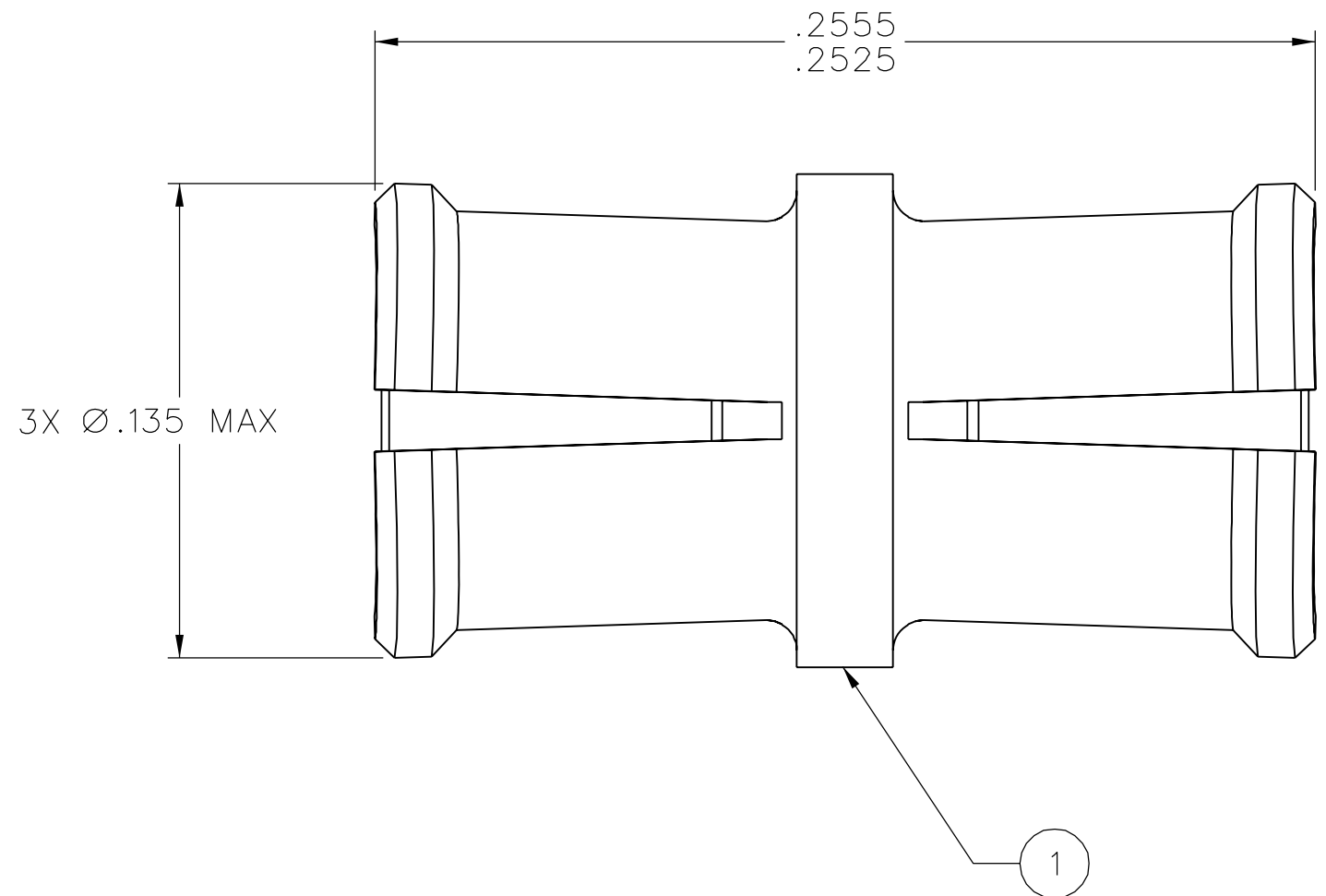


| | | | |
|--------------|--------------------------------------------------------------------------------------------------|--------------------------------------------------------------------------------------------------|---------------------|
| PART NUMBER | ITEM ① BODY | ITEM ② CONTACT | ITEM ③ INSULATOR |
| 127-0901-801 | BERYLLIUM COPPER GOLD PL .00005 MIN OVER NICKEL PL .00005 MIN OVER COPPER PL .00005 MIN | BERYLLIUM COPPER GOLD PL .00005 MIN OVER NICKEL PL .00005 MIN OVER COPPER PL .00005 MIN | TEFLON |

| | |
|-------------------------------------|----------------------------------------------------------|
| DRAWING NO. C - 127-0901-801/810 | |
| 0 | REVISIONS |
| ENGINEERING RELEASE | |
| 1 | 5-25-07 PAT JKU PDW JCN 5-29-07 ECN 51022 |



10:1



NOTES:


- SPECIFICATIONS:
 - IMPEDENCE: 50 OHMS NOMINAL
 - FREQUENCY RANGE: 0-40 GHz
 - VSWR: 1.10 MAX (0-18 GHz)
 - 1.15 MAX (18-23 GHz)
 - 1.30 MAX (23-26.5 GHz)
 - 1.70 MAX (26.5-40 GHz)
 - WORKING VOLTAGE: 335 VRMS MAX AT SEA LEVEL
 - DIELECTRIC WITHSTANDING VOLTAGE: 500 VRMS MIN AT SEA LEVEL
 - INSULATION RESISTANCE: 5000 MEGOHM MIN
 - CONTACT RESISTANCE:
 - CENTER CONTACT - INITIAL 6.0 MILLIOHM MAX, AFTER ENVIRONMENTAL NOT APPLICABLE
 - OUTER CONDUCTOR - INITIAL 2.0 MILLIOHM MAX, AFTER ENVIRONMENTAL NOT APPLICABLE
 - INSERTION LOSS: $0.10\sqrt{f}$ (GHz) dB MAX, TESTED AT 10 GHz
 - CORONA LEVEL: 190 VOLTS MIN AT 70,000 FEET
 - RF LEAKAGE: -65 dB TYPICAL, TESTED AT 2.5 GHz
 - RF HIGH POTENTIAL WITHSTANDING VOLTAGE: 325 VRMS MIN AT 4 AND 7 MHz
- MECHANICAL:
 - INTERFACE DESIGN: IN ACCORDANCE WITH MIL-STD-348A, SERIES SMP
 - ENGAGEMENT FORCE: 15.0 LBS MAX (FULL DETENT)
 - 10.0 LBS MAX (LIMITED DETENT)
 - 2.0 LBS MAX (SMOOTH BORE)
 - DISENGAGEMENT FORCE: 5.0 LBS MIN (FULL DETENT)
 - 2.0 LBS MIN (LIMITED DETENT)
 - 0.5 LBS MIN (SMOOTH BORE)
 - CONTACT RETENTION: 1.5 LBS MIN AXIAL FORCE
 - DURABILITY: 100 CYCLES MIN (FULL DETENT)
 - 500 CYCLES MIN (LIMITED DETENT)
 - 1000 CYCLES MIN (SMOOTH BORE)
- ENVIRONMENTAL:
 - (MEETS OR EXCEEDS THE APPLICABLE PARAGRAPH OF DSCC DWG NO. 94007)
 - OPERATING TEMPERATURE: -65°C TO 165°C
 - THERMAL SHOCK: MIL-STD-202, METHOD 107, CONDITION B, EXCEPT 165°C HIGH TEMP
 - MECHANICAL SHOCK: MIL-STD-202, METHOD 213, CONDITION I
 - CORROSION: MIL-STD-202, METHOD 101, CONDITION B
 - VIBRATION: MIL-STD-202, METHOD 204, CONDITION D
 - MOISTURE RESISTANCE: MIL-STD-202, METHOD 106, EXCEPT STEP 7B OMITTED

CUSTOMER DRAWING

THIS DRAWING TO BE INTERPRETED
PER ASME Y 14.5M - 1994

"μSTATION"

COMPANY CONFIDENTIAL

| | | | | | | |
|--------------------------------------|-----------|-------------------------|-----------------|---------------------------------------------------------------------------------------------------------------------------------------------|-------------------------------------------------------------------------------------|--|
| TOLERANCE UNLESS OTHERWISE SPECIFIED | | DRAWN BY PAT | DATE 3-29-07 |  Cinch CONNECTIVITY SOLUTIONS a bel group | Cinch Connectivity Solutions P.O. Box 1732 Waseca, MN 56093 1-800-247-8256 | |
| DECIMALS | mm | CHECKED BY JRK | DATE 5-25-07 | | TITLE SMP FEMALE/FEMALE BULLET ADAPTER | |
| .XX | _____ | APPROVED BY PDW | DATE 5-25-07 | SHEET 2 OF 2 | | |
| .XXX | REF _____ | RELEASE DATE 5-29-07 | SCALE 20:1 | DRAWING NO. C - 127-0901-801/810 | | |
| MATL | _____ | U/M | INCH | | | |
| FINISH | _____ | | | | | |