

PART NUMBER	SHROUD MATERIAL
127-1701-602	STAINLESS STEEL PASSIVATED

DRAWING NO.
C - 127-1701-601/610

0 REVISIONS

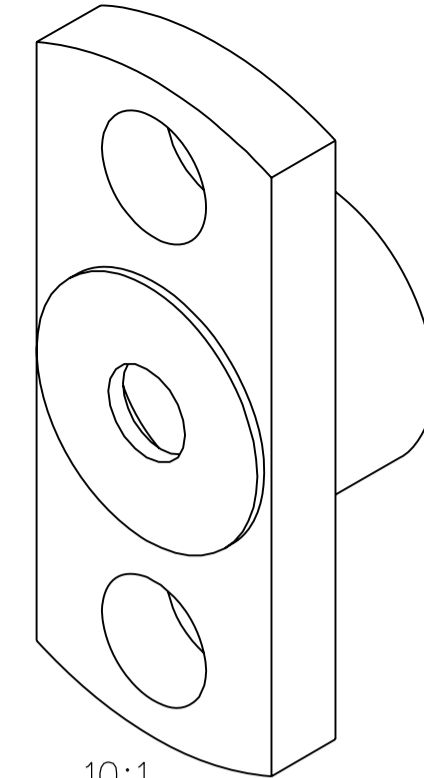
ENGINEERING RELEASE

1	1-10-07	PAT	JRK	PDW	MJU	2-17-07	ECN 50898
---	---------	-----	-----	-----	-----	---------	-----------

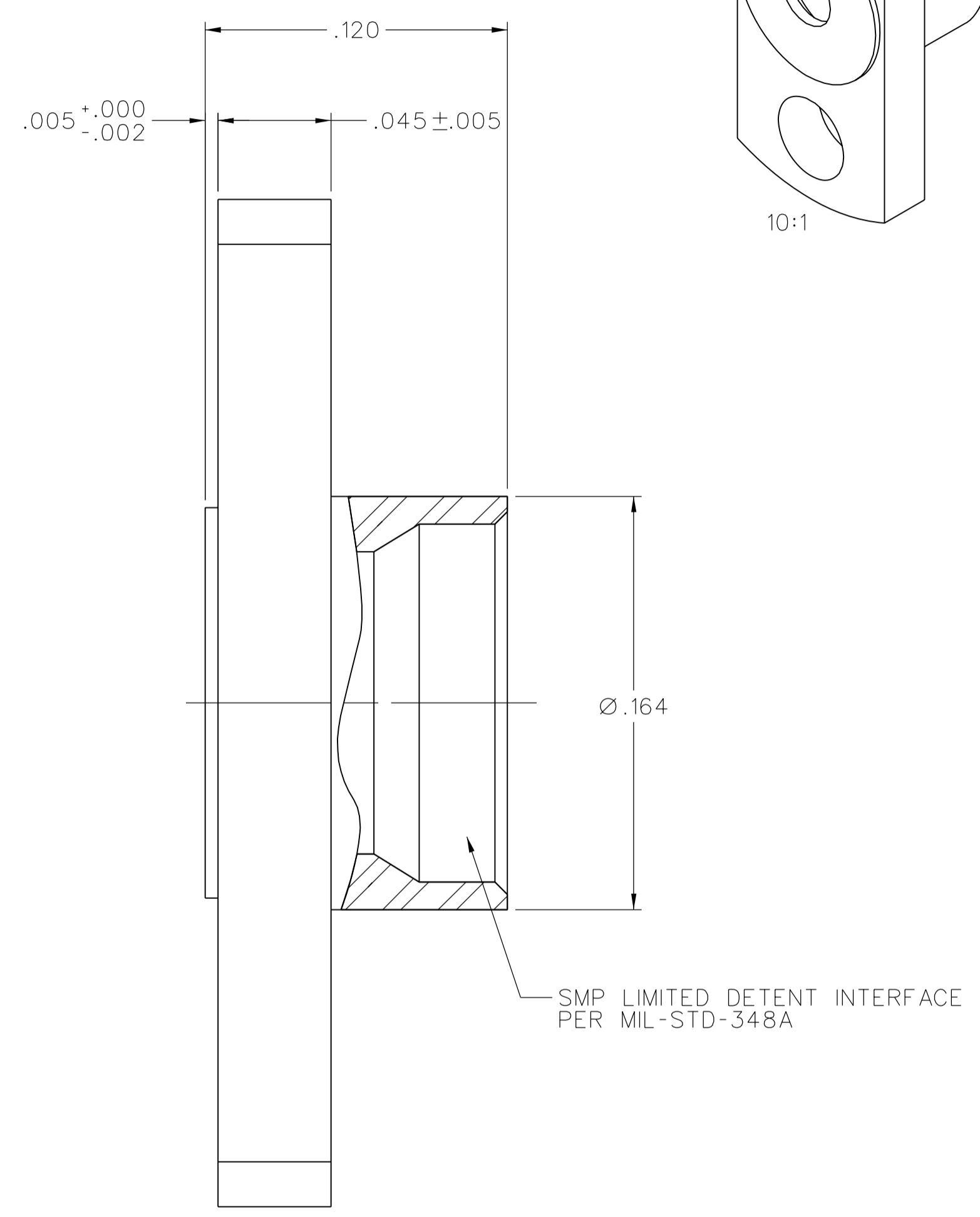
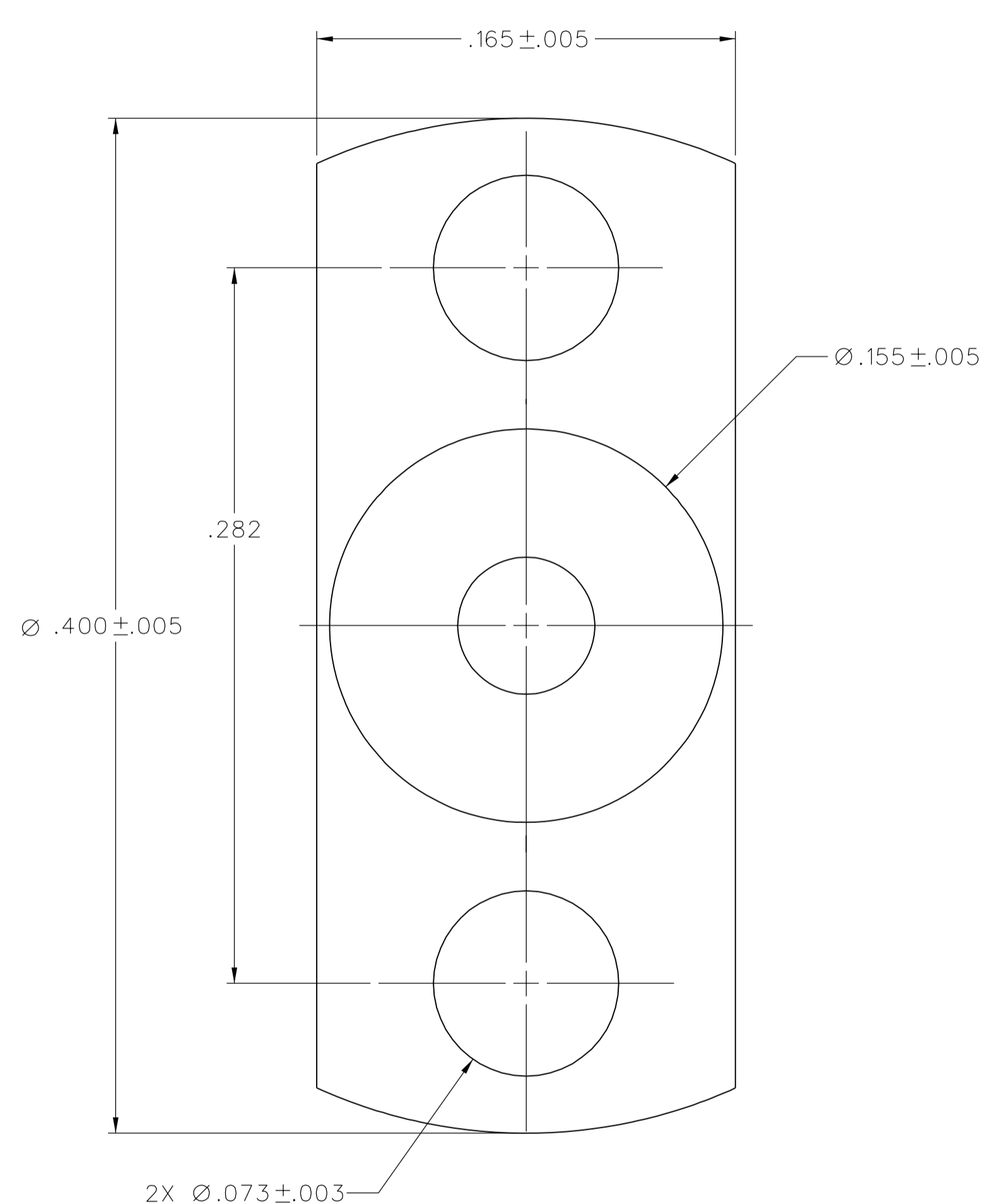
VERSION UPDATE

* REVISION NUMBER FOLLOWED BY AN ALPHA *
* CHARACTER INDICATES DRAWING CLARIFI- *
* CATION OR PART NUMBER ADDITION ONLY. *

1a	11-12-07	PAT	JRK	PDW	MJU	JCN	11-13-07	ECN 51291
----	----------	-----	-----	-----	-----	-----	----------	-----------



10:1



NOTES:

- SPECIFICATIONS:
 - INTERFACE DIMENSIONS: IN ACCORDANCE WITH MIL-STD-348A, SERIES SMP, LIMITED DETENT
 - CONTACT RESISTANCE: INITIAL 2.0 MILLIOHM MAX, AFTER ENVIRONMENTAL NOT APPLICABLE
- MECHANICAL:
 - ENGAGEMENT FORCE: 10 POUNDS MAX
 - DISENGAGEMENT FORCE: 2 POUNDS MIN
 - DURABILITY: 500 CYCLES MIN
- ENVIRONMENTAL:
 - (MEETS OR EXCEEDS THE APPLICABLE PARAGRAPH OF DSCC DWG NO. 94007)
 - OPERATING TEMPERATURE: -65°C TO 165°C
 - THERMAL SHOCK: MIL-STD-202, METHOD 107, CONDITION B, EXCEPT 165°C HIGH TEMP
 - CORROSION: MIL-STD-202, METHOD 101, CONDITION B
 - VIBRATION, HIGH FREQUENCY: MIL-STD-202, METHOD 204, CONDITION D
 - VIBRATION, RANDOM: MIL-STD-202, METHOD 214, CONDITION F

CUSTOMER DRAWING

THIS DRAWING TO BE INTERPRETED
PER ASME Y 14.5M - 1994

"μSTATION"

COMPANY CONFIDENTIAL

TOLERANCE UNLESS OTHERWISE SPECIFIED		DRAWN BY	DATE
DECIMALS	mm	PAT	11-30-06
.XX	_____	CHECKED BY	DATE
.XXX	REF _____	PDW	2-16-07
MATL	_____	APPROVED BY	DATE
FINISH	_____	JRK	2-16-07
U/M	INCH	RELEASE DATE	2-17-07
		SCALE	20:1

cinch CONNECTIVITY SOLUTIONS
a bel group

Cinch Connectivity Solutions
P.O. Box 1732
Waseca, MN 56093
1-800-247-8256

TITLE		SHEET	DRAWING NO.
SMP LIMITED DETENT FLANGE MOUNT SHROUD		2 OF 2	C - 127-1701-601/610