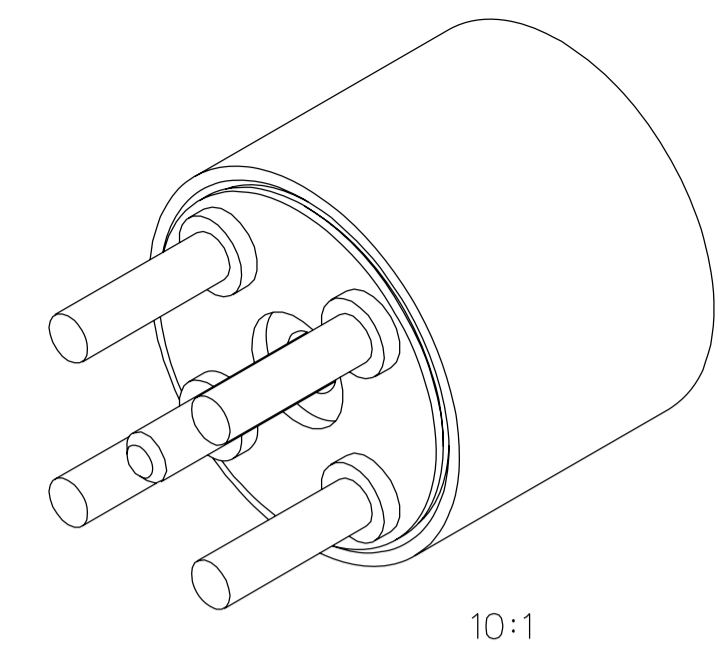
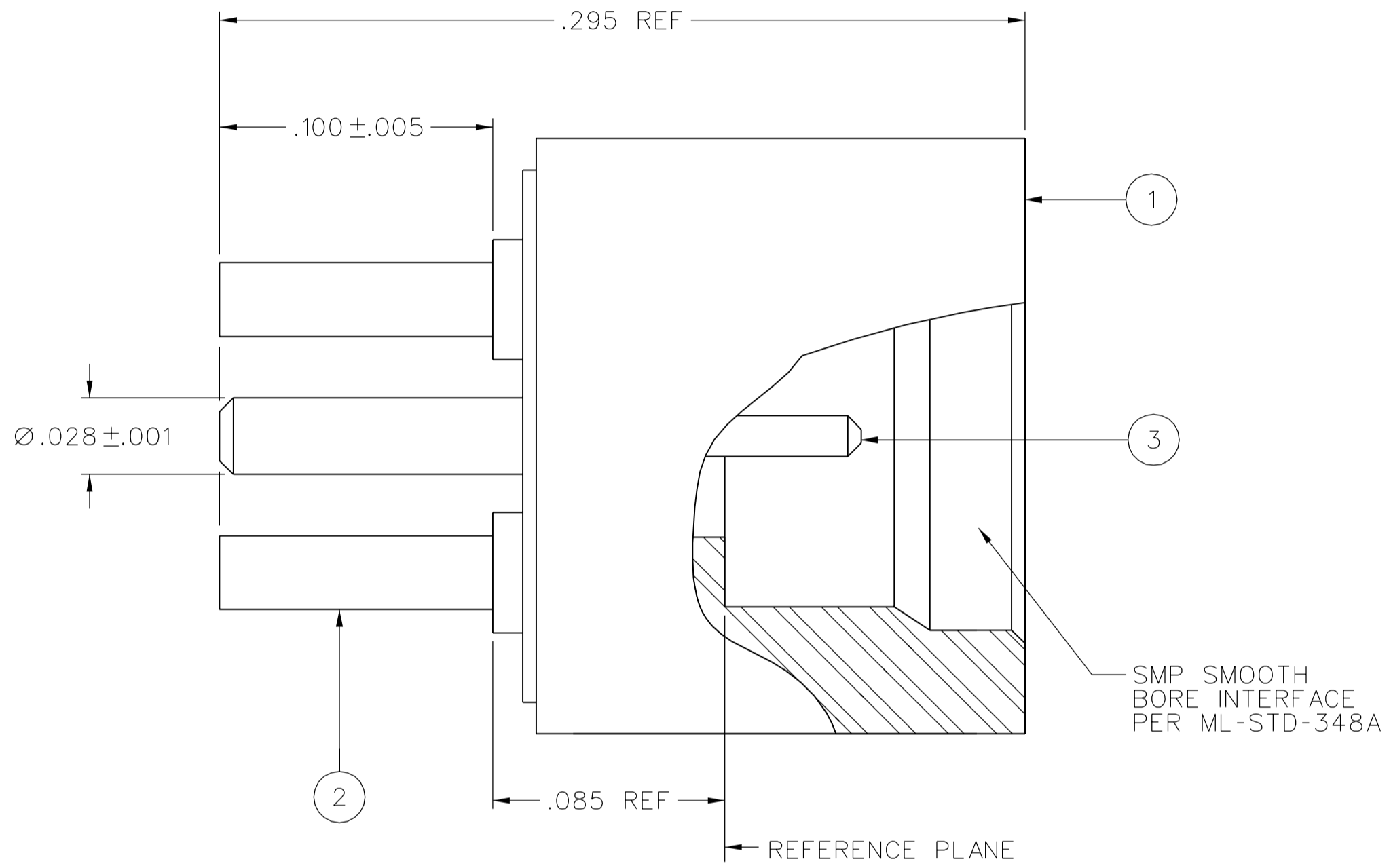
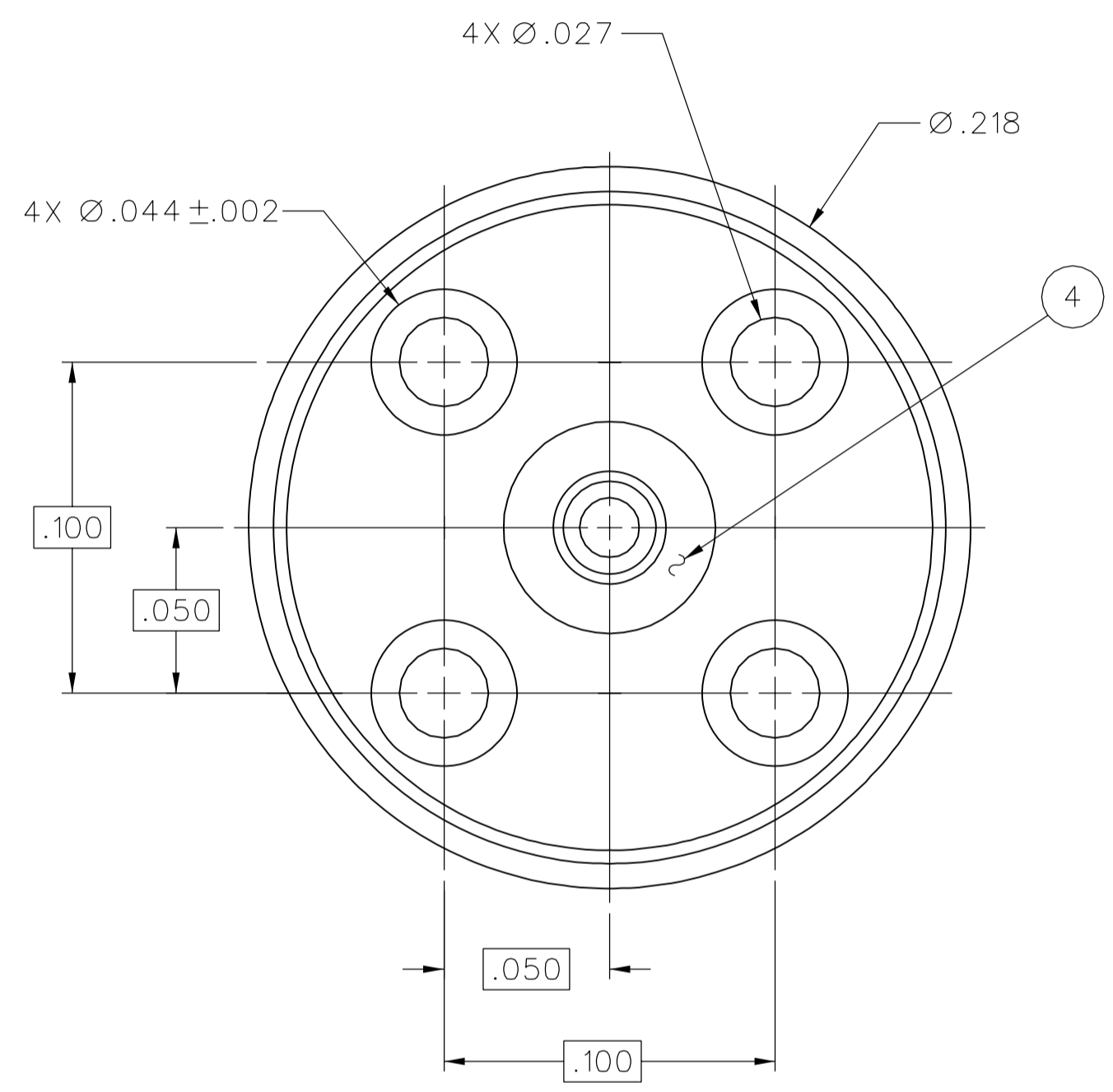


PART NUMBER 142-2701-201	ITEM ① BODY STAINLESS STEEL PASSIVATED	ITEM ② BASE BRASS GOLD PL .00003 MIN OVER NICKEL PL .00005 MIN OVER COPPER PL .00005 MIN	ITEM ③ CONTACT BERYLLIUM COPPER GOLD PL .00005 MIN OVER NICKEL PL .00005 MIN OVER COPPER PL .00005 MIN	ITEM ④ INSULATOR TEFLON
-----------------------------	---	---	---	-------------------------------

DRAWING NO. C - 127-2701-201/210	
0	REVISIONS
ENGINEERING RELEASE	
1	6-11-07 PAT JRK MJD PJC JCN 6-12-07 ECN 51067



10:1



NOTES:

1. SPECIFICATIONS:

IMPEDENCE: 50 OHMS NOMINAL  
 FREQUENCY RANGE: 0-12 GHz  
 VSWR: DEPENDANT ON APPLICATION  
 WORKING VOLTAGE: 335 VRMS MAX AT SEA LEVEL  
 DIELECTRIC WITHSTANDING VOLTAGE: 500 VRMS MIN AT SEA LEVEL  
 INSULATION RESISTANCE: 5000 MEGOHM MIN  
 CONTACT RESISTANCE:  
 CENTER CONTACT - INITIAL 6.0 MILLIOHM MAX, AFTER ENVIRONMENTAL NOT APPLICABLE  
 OUTER CONDUCTOR - INITIAL 2.0 MILLIOHM MAX, AFTER ENVIRONMENTAL NOT APPLICABLE

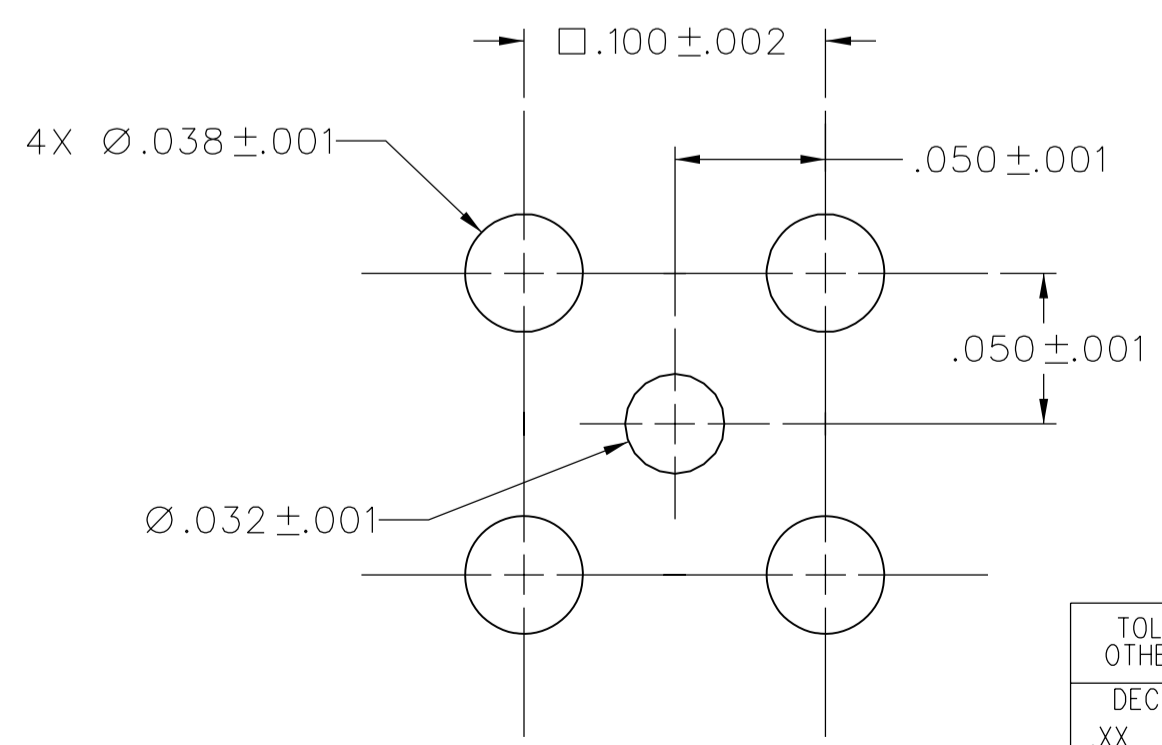
CORONA LEVEL: 190 VOLTS MIN AT 70,000 FEET  
 RF HIGH POTENTIAL WITHSTANDING VOLTAGE: 325 VRMS MIN AT 4 AND 7 MHz

MECHANICAL:

INTERFACE DESIGN: IN ACCORDANCE WITH MIL-STD-348A, SERIES SMP, SMOOTH BORE  
 ENGAGEMENT FORCE: 2 LBS MAX  
 DISENGAGEMENT FORCE: 0.5 LBS MIN  
 CONTACT RETENTION: 1.5 LBS MIN AXIAL FORCE  
 DURABILITY: 1000 CYCLES MIN

ENVIRONMENTAL:

(MEETS OR EXCEEDS THE APPLICABLE PARAGRAPH OF DSCC DWG NO. 94007)  
 OPERATING TEMPERATURE: -65°C TO 165°C  
 THERMAL SHOCK: MIL-STD-202, METHOD 107, CONDITION B, EXCEPT 165°C HIGH TEMP  
 MECHANICAL SHOCK: MIL-STD-202, METHOD 213, CONDITION I  
 CORROSION: MIL-STD-202, METHOD 101, CONDITION B  
 VIBRATION: MIL-STD-202, METHOD 204, CONDITION D  
 MOISTURE RESISTANCE: MIL-STD-202, METHOD 106, EXCEPT STEP 7B OMITTED




MOUNTING HOLE LAYOUT  
15:1

CUSTOMER DRAWING

THIS DRAWING TO BE INTERPRETED PER ASME Y 14.5M - 1994

"μSTATION"

COMPANY CONFIDENTIAL

TOLERANCE UNLESS OTHERWISE SPECIFIED		DRAWN BY PAT	DATE 6-7-07	 <b>Cinch</b> CONNECTIVITY SOLUTIONS a bel group	Cinch Connectivity Solutions P.O. Box 1732 Waseca, MN 56093 1-800-247-8256	
DECIMALS	mm	CHECKED BY JRK	DATE 6-11-07		TITLE SMP, SMOOTH BORE STRAIGHT PC MOUNT	
.XX	_____	APPROVED BY PDW	DATE 6-11-07	SHEET 2 OF 2		
.XXX ±.003	_____	RELEASE DATE	6-12-07	DRAWING NO. C - 127-2701-201/210		
MATL	_____	U/M	INCH	SCALE	20:1	
FINISH	_____					