

PART NUMBER	ITEM ① BODY	ITEM ② CONTACT	ITEM ③ INSULATOR	PACKAGING
127-2701-801	BERYLLIUM COPPER GOLD PL .00005 MIN OVER NICKEL PL .00005 MIN OVER COPPER PL .00005 MIN	BERYLLIUM COPPER GOLD PL .00005 MIN OVER NICKEL PL .00005 MIN OVER COPPER PL .00005 MIN	TEFLON	BULK PACK 5 PCS/BAG
127-2701-802	BERYLLIUM COPPER GOLD PL .00005 MIN OVER NICKEL PL .00005 MIN OVER COPPER PL .00005 MIN	BERYLLIUM COPPER GOLD PL .00005 MIN OVER NICKEL PL .00005 MIN OVER COPPER PL .00005 MIN	TEFLON	TAPE AND REEL 1000 PCS. PER FIG 1

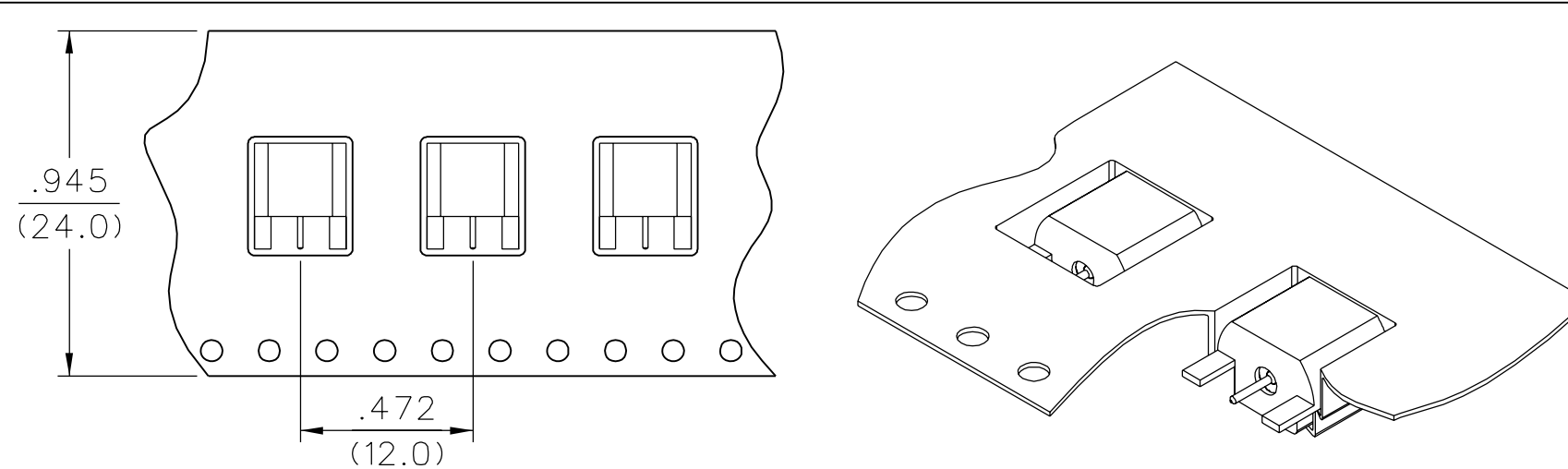
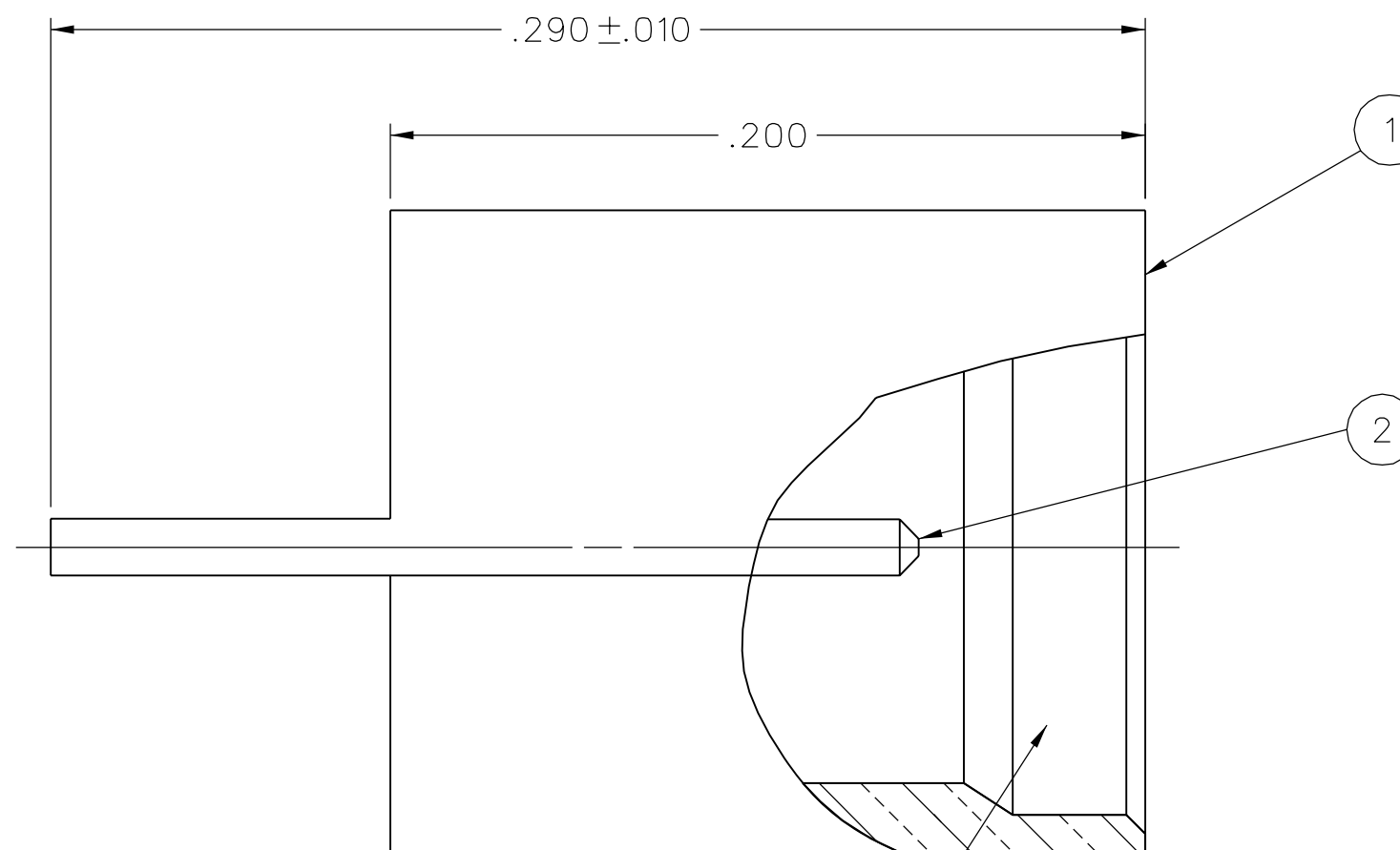
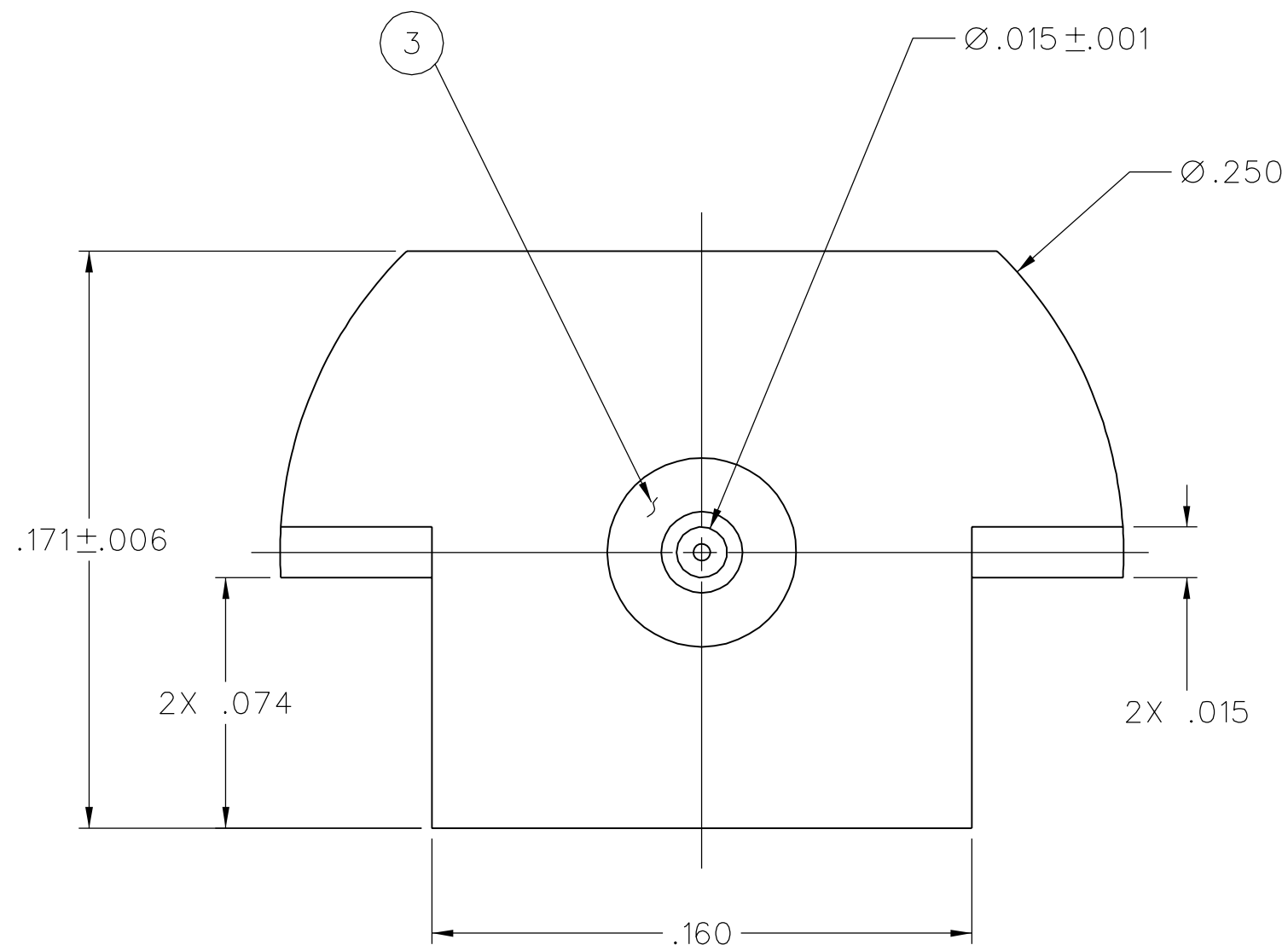
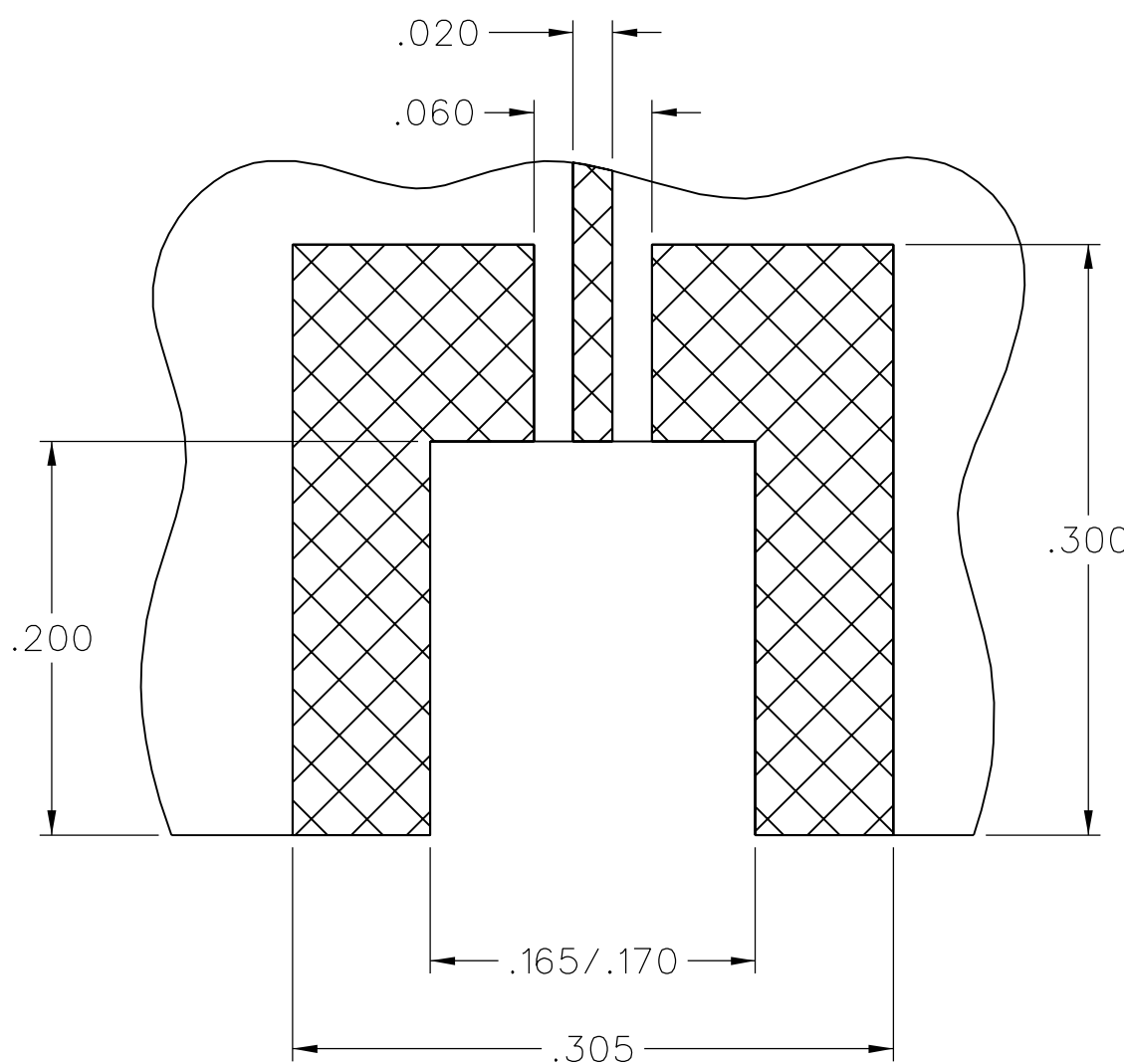


FIG 1  
2:1 TOP VIEW



SMP SMOOTH BORE  
INTERFACE  
PER MIL-STD-348A



RECOMMENDED PCB LAYOUT

THIS PATTERN IS FOR REFERENCE ONLY.  
PATTERN WILL VARY DEPENDING ON  
ASSEMBLY PROCESS, BOARD TYPE, OR  
ELECTRICAL AND MECHANICAL REQUIREMENTS.

DRAWING NO. C - 127-2701-801/810	
0 REVISIONS	
ENGINEERING RELEASE	
1	7-6-07 PAT JRK PDJ 7-16-07 T K J W N ECN 51109
.945 (24.0)	WAS .630 (16.0)
***** * REVISION NUMBER FOLLOWED BY AN ALPHA * * CHARACTER INDICATES DRAWING CLARIFI- * CATION OR PART NUMBER ADDITION ONLY. * *****	
1a	7-30-07 PAT JRK PDJ 7-30-07 T K W N ECN 51158

CUSTOMER DRAWING

THIS DRAWING TO BE INTERPRETED  
PER ASME Y 14.5M - 1994

"μ STATION"

COMPANY CONFIDENTIAL



TOLERANCE UNLESS OTHERWISE SPECIFIED	DRAWN BY PAT	DATE 6-27-07
DECIMALS mm	CHECKED BY JRK	DATE 7-16-07
.XX _____	APPROVED BY PDW	DATE 7-16-07
.XXX ±.003 _____	RELEASE DATE	7-16-07
MATL _____	U/M INCH	SCALE 20:1
FINISH _____		

TITLE SMP SMOOTH BORE SURFACE MOUNT END LAUNCH	
SHEET 2 OF 2	DRAWING NO. C - 127-2701-801/810

NOTES:

- SPECIFICATIONS:
  - IMPEDENCE: 50 OHMS NOMINAL
  - FREQUENCY RANGE: 0-18 GHz
  - VSWR: DEPENDANT ON APPLICATION
  - WORKING VOLTAGE: 335 VRMS MAX AT SEA LEVEL
  - DIELECTRIC WITHSTANDING VOLTAGE: 500 VRMS MIN AT SEA LEVEL
  - INSULATION RESISTANCE: 5000 MEGOHM MIN
  - CONTACT RESISTANCE:
    - CENTER CONTACT - INITIAL 6.0 MILLIOHM MAX, AFTER ENVIRONMENTAL NOT APPLICABLE
    - OUTER CONDUCTOR - INITIAL 2.0 MILLIOHM MAX, AFTER ENVIRONMENTAL NOT APPLICABLE
  - CORONA LEVEL: 190 VOLTS MIN AT 70,000 FEET
  - RF HIGH POTENTIAL WITHSTANDING VOLTAGE: 325 VRMS MIN AT 4 AND 7 MHz
- MECHANICAL:
  - INTERFACE DESIGN: IN ACCORDANCE WITH MIL-STD-348A, SERIES SMP, SMOOTH BORE
  - ENGAGEMENT FORCE: 2 LBS MAX
  - DISENGAGEMENT FORCE: 0.5 LBS MIN
  - CONTACT RETENTION: 1.5 LBS MIN AXIAL FORCE
  - DURABILITY: 1000 CYCLES MIN
- ENVIRONMENTAL:
  - (MEETS OR EXCEEDS THE APPLICABLE PARAGRAPH OF DSCC DWG NO. 94007)
  - OPERATING TEMPERATURE: -65°C TO 165°C
  - THERMAL SHOCK: MIL-STD-202, METHOD 107, CONDITION B, EXCEPT 165°C HIGH TEMP
  - MECHANICAL SHOCK: MIL-STD-202, METHOD 213, CONDITION I
  - CORROSION: MIL-STD-202, METHOD 101, CONDITION B
  - VIBRATION: MIL-STD-202, METHOD 204, CONDITION D
  - MOISTURE RESISTANCE: MIL-STD-202, METHOD 106, EXCEPT STEP 7B OMITTED