

# TK 3625 – Polystyrene and Polycarbonate – 360 x 254 mm (14.2 x 10.0 in.)

## Standard Features

- **Protection Level:** IP66 (NEMA Type: 4X with gray cover, 12K with transparent cover)
- **Technical:** Smooth or Knockout Sidewalls  
Gray or Tinted Transparent Cover  
Multiple Enclosure Mounting Options
- **UL Recognized**  
**Enclosure Materials:** Polystyrene or Polycarbonate
- **Gasket Material:** Polyurethane
- **Color:** Light Gray
- **Material**  
**Temperature Range:** Polystyrene  
-40°C to 70°C (-40°F to 158°F)  
Polycarbonate  
-40°C to 120°C (-40°F to 248°F)
- **Accessories:** See section below



### Smooth Sidewalls

Ordering Information	Height mm (in)	Polystyrene				Polycarbonate			
		Cat. No.	Type	Cover Color	Std. Pk.	Cat. No.	Type	Cover Color	Std. Pk.
<input type="checkbox"/> Enclosure - low cover	111 mm (4.37 in)	110-412	PS 3625-11-o	gray	1	120-412	PC 3625-11-o	gray	1
<input type="checkbox"/> Enclosure - high cover	165 mm (6.50 in)	110-912	PS 3625-16-o	gray	1	120-912	PC 3625-16-o	gray	1
<input type="checkbox"/> Enclosure - low cover	111 mm (4.37 in)	111-012	PS 3625-11-to	trans.	1	130-012	PC 3625-11-to	trans.	1
<input type="checkbox"/> Enclosure - high cover	165 mm (6.50 in)	111-512	PS 3625-16-to	trans.	1	130-512	PC 3625-16-to	trans.	1

### Sidewalls with Metric Knockouts

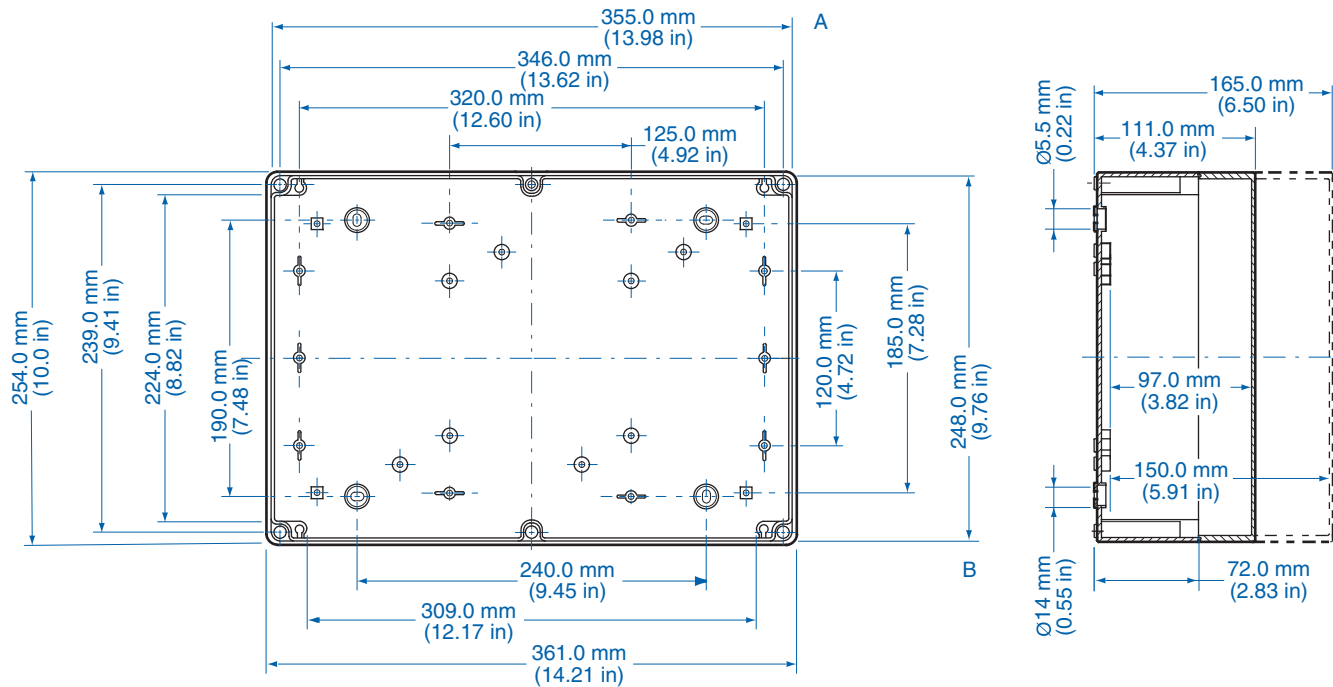
Ordering Information	Height mm (in)	Polystyrene				Polycarbonate			
		Cat. No.	Type	Cover Color	Std. Pk.	Cat. No.	Type	Cover Color	Std. Pk.
<input type="checkbox"/> Enclosure - low cover	111 mm (4.37 in)	105-412	PS 3625-11-m	gray	1	127-412	PC 3625-11-m	gray	1
<input type="checkbox"/> Enclosure - high cover	165 mm (6.50 in)	105-912	PS 3625-16-m	gray	1	127-912	PC 3625-16-m	gray	1
<input type="checkbox"/> Enclosure - low cover	111 mm (4.37 in)	106-012	PS 3625-11-tm	trans.	1	137-012	PC 3625-11-tm	trans.	1
<input type="checkbox"/> Enclosure - high cover	165 mm (6.50 in)	106-512	PS 3625-16-tm	trans.	1	137-512	PC 3625-16-tm	trans.	1

### Accessories

Ordering Information	Cat. No.	Type	Std. Pk.
Mounting Plate (plastic)	195-012	TKMPI-3625	1
Mounting Plate (steel)	197-012	TKMPS-3625	1
DIN Rail TS35-336mm	198-336	TS 35/ 336	1
Hinge Kit Set	190-005	HK2	1
Mounting Tab Kit	194-001	MT1	1

Please refer to pages 149-152 for additional accessories and detailed information.

Dimensions



Knockout Positions

