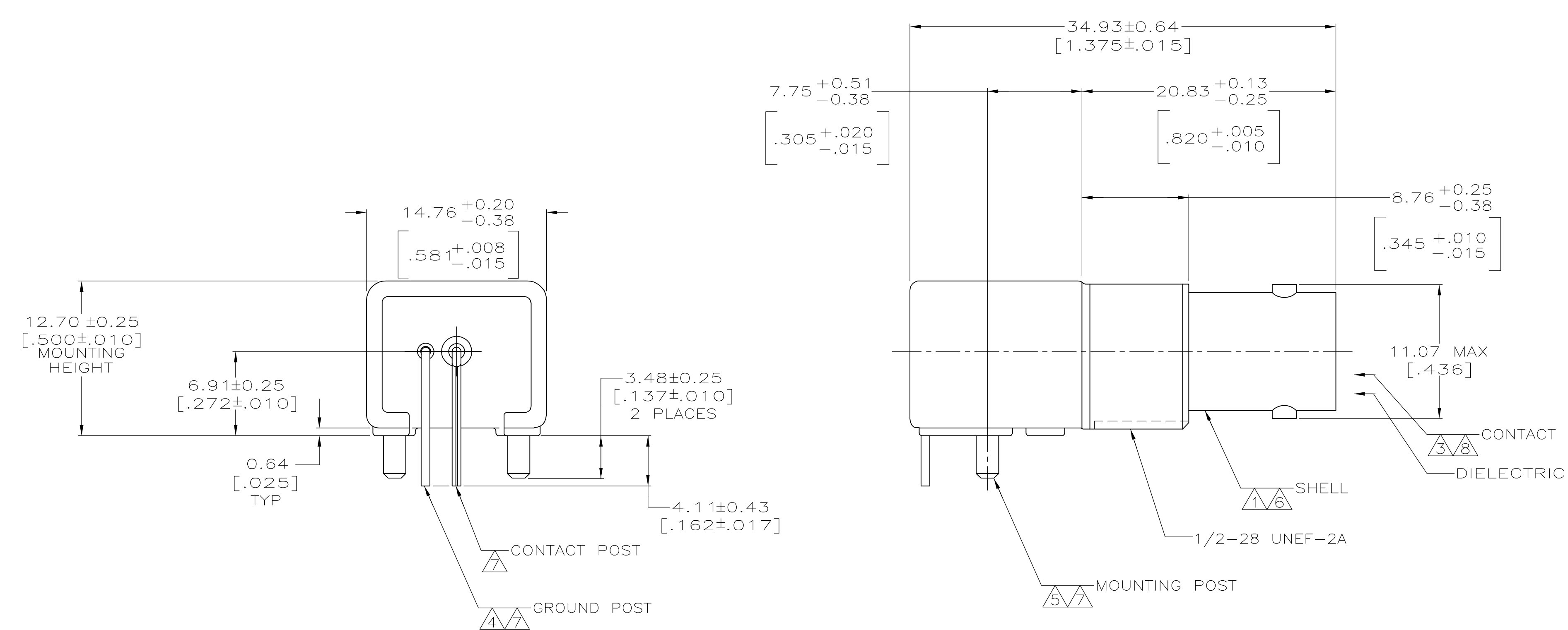
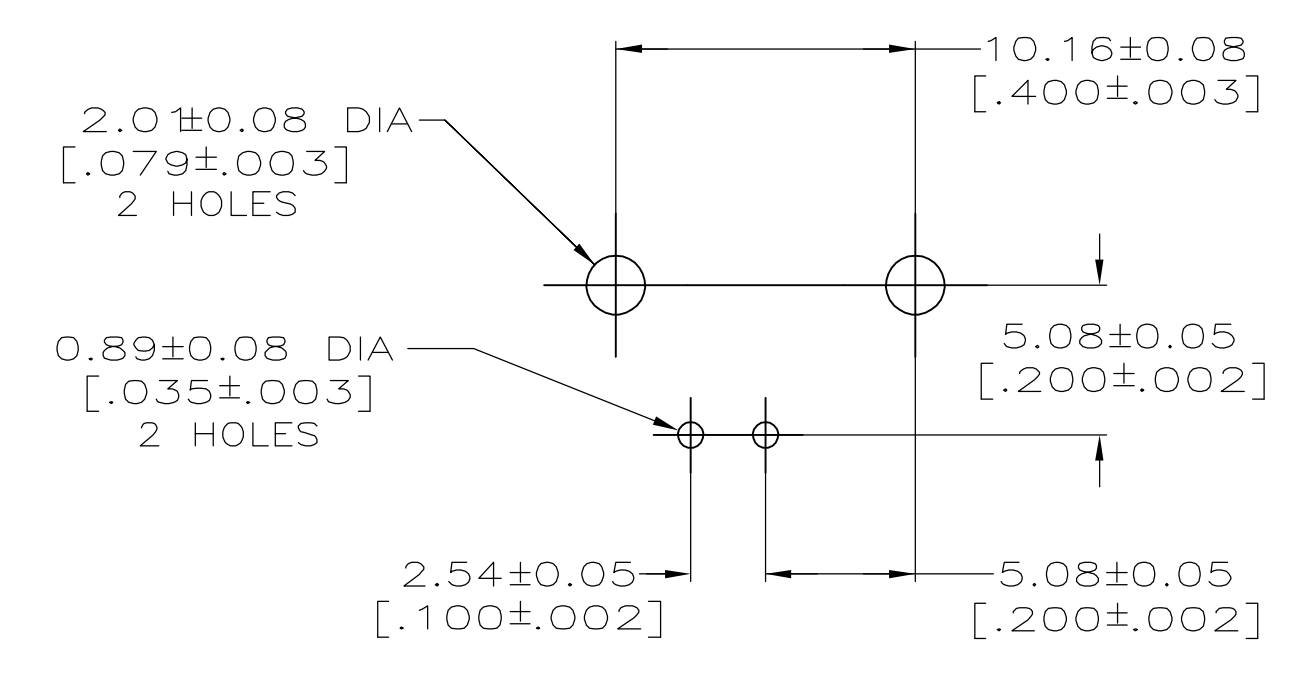
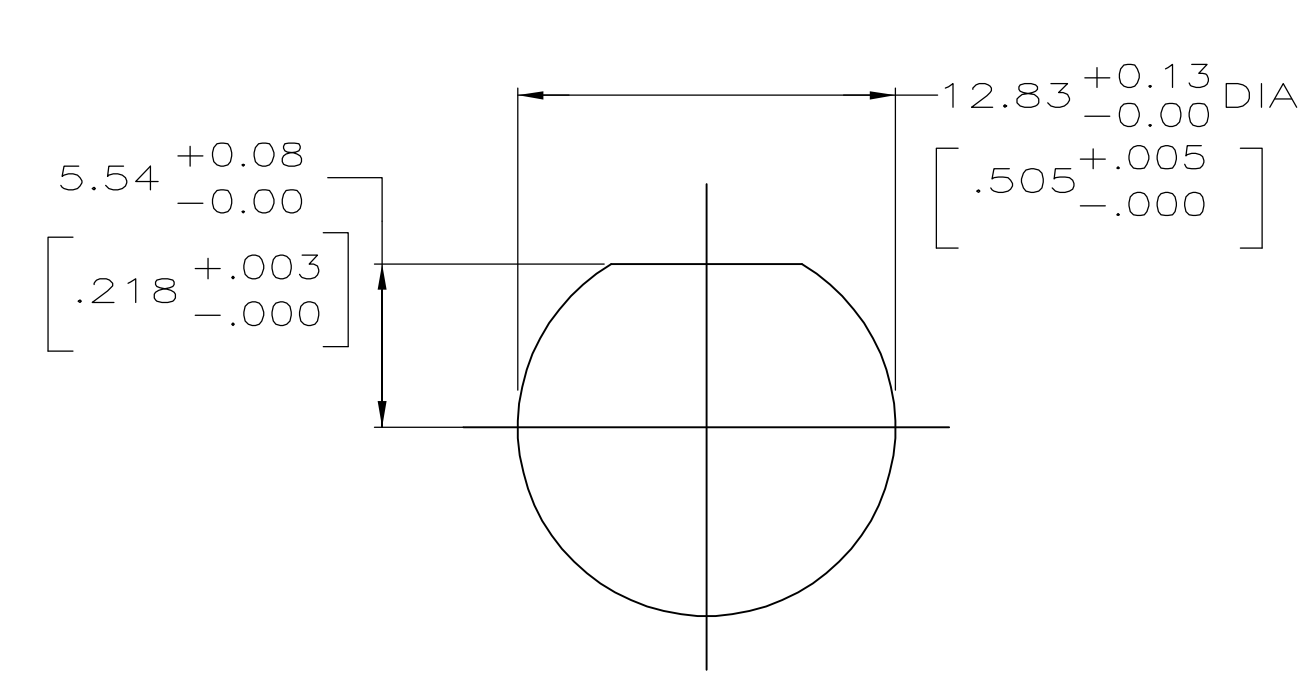


LOC	DIST	P	F	ZONE	LTR	DESCRIPTION	DATE	APPD
AJ	16				B	REVISED PER 0514-0485-02	170C103	KW
					C	REVISED PER 0514-0184-04.	15DEC04	JL



- ① ZINC PER QQ-Z-363.
  - ② POLYMETHYLPENTENE PER ASTM-D-1238.
  - ③ PHOSPHOR BRONZE PER QQ-B-750.
  - ④ BRASS PER ASTM-B-453.
  - ⑤ BRASS PER ASTM-B-16.
  - ⑥ NICKEL PLATE PER QQ-N-290, 3.81 μm [.000150] MINIMUM THICK.
  - ⑦ TIN PLATE PER ASTM-B-545, 3.81 μm [.000150] MINIMUM THICK.
  - ⑧ GOLD PLATE PER MIL-G-45204, 0.76 μm [.000030] MINIMUM THICK.
  - ⑨ POLYPHTHALAMIDE, PPA, GENERAL PURPOSE.
10. SEE INSTRUCTION SHEET 2769.



OBSELETE	⑨	1274084-2
	②	1274084-1
DIELECTRIC MATERIAL		PART NUMBER

DO NOT SCALE PRINT. UNLESS SPECIFIED DIMENSIONS IN mm [INCHES] TOLERANCES ON : 2 PLC DEC ± 0.20 [.008] 3 PLC DEC ± - ANGLES ± -	DR 7-10-98 J. LIPPERT CHK 7-10-98 J. LIPPERT APPD 7-10-98 J. LIPPERT APPD 7-10-98 J. LIPPERT	AMP AMP Incorporated Harrisburg, PA 17105-3608	
SEE NOTES 1 THRU 5 & 9	PRODUCT SPEC 108-12078	NAME JACK, RIGHT ANGLE, PCB 75 OHM, SERIES BNC	
FINISH SEE NOTES 6 THRU 8	APPLICATION SPEC -	SIZE D	CAGE CODE 00779
	WEIGHT -	SCALE 4:1	DRAWING NO 1274084 SHEET 10F 1