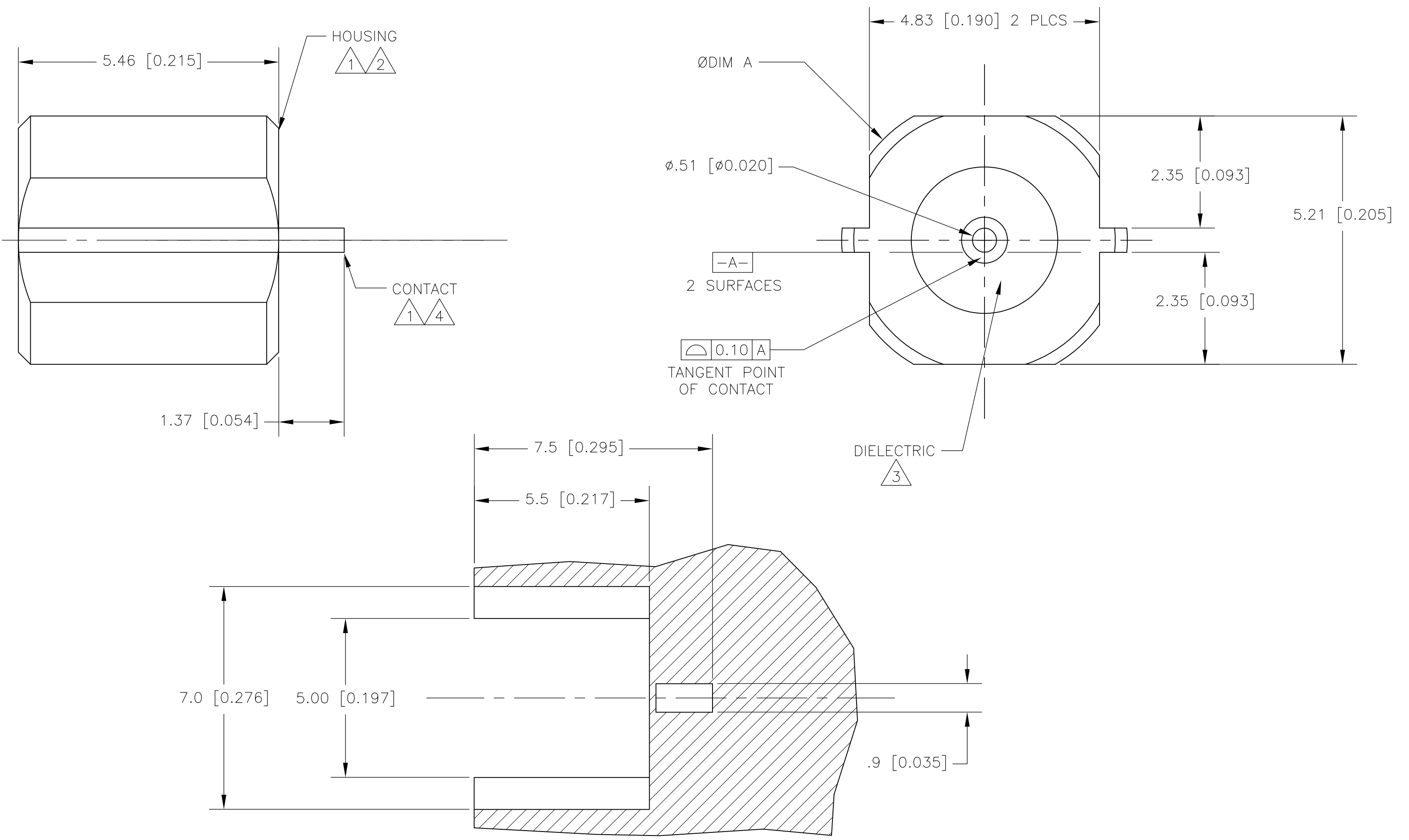


© COPYRIGHT - By -

LOC	DIST	REVISIONS			
P	LTR	DESCRIPTION	DATE	OWN	APVD
AJ	16	B3	ECR-12-005726	27MAR12	RK MY



SUGGESTED SOLDER PAD CONFIGURATION ONLY (SCALE 10:1)

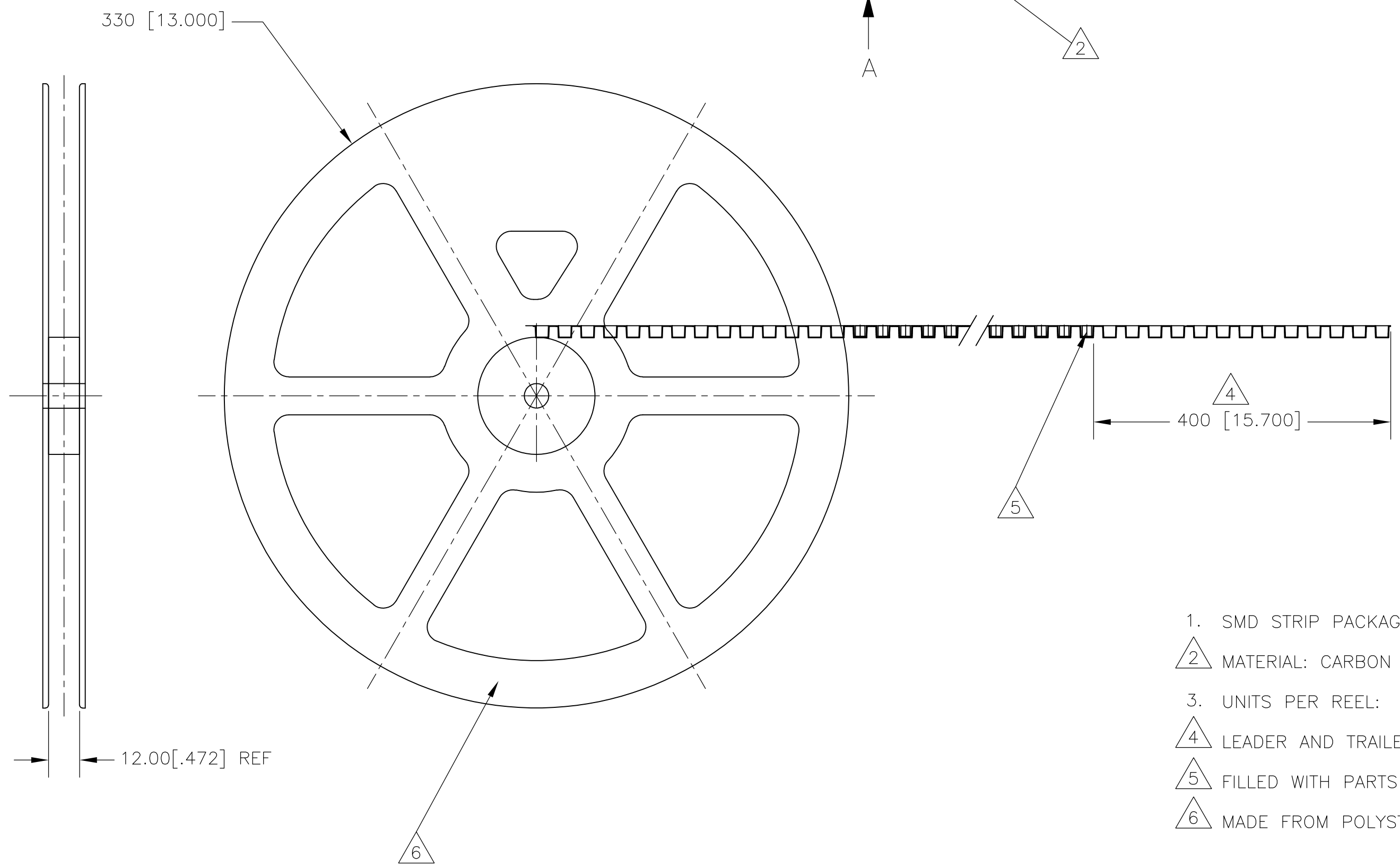
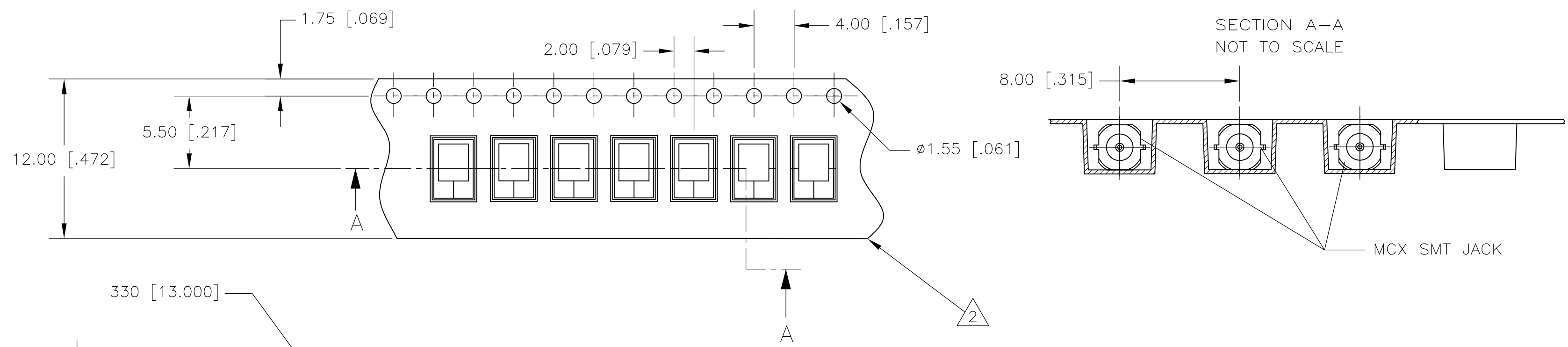
- 1 GOLD PLATE PER ASTM-B-488
- 2 BRASS PER ASTM-B-16
- 3 PTFE PER ASTM-D-1710
- 4 BERYLLIUM COPPER PER ASTM-B-197

Ø6.50 [.256]	1274670-2
Ø5.99 [.236]	1274670-1
DIM A	PART NUMBER

THIS DRAWING IS A CONTROLLED DOCUMENT.		DWN	2/2/05		 TE Connectivity
		CHK	19APR05		
		APVD	19APR05		
		NAME			
DIMENSIONS:		TOLERANCES UNLESS OTHERWISE SPECIFIED:		NAME	
mm [INCHES]				MCX PCB JACK, SMT EDGE LAUNCH	
		0 PLC ± -		SIZE	
		1 PLC ± -		CAGE CODE	
		2 PLC ± ± 0.13 [.005]		DRAWING NO	
		3 PLC ± -		RESTRICTED TO	
		4 PLC ± -		A2 00779 C-1274670	
		ANGLES ± ± 2'		SCALE 15:1 SHEET 1 OF 2 REV B3	
MATERIAL		FINISH		CUSTOMER DRAWING	

THIS DRAWING IS UNPUBLISHED. RELEASED FOR PUBLICATION
 © COPYRIGHT - By - ALL RIGHTS RESERVED.

LOC	DIST	REVISIONS			
P	LTR	DESCRIPTION	DATE	OWN	APVD
AJ	16	- SEE SHEET 1	-	-	-



- 1. SMD STRIP PACKAGING DIMENSIONAL REQUIREMENTS PER EIA 481-1, -2 AND -3
- 2 MATERIAL: CARBON FILLED POLYCARBONATE, ELECTROSTATIC PROTECTIVE
- 3. UNITS PER REEL: APPROX 1,500
- 4 LEADER AND TRAILER FREE OF PARTS BUT SEALED WITH COVER TAPE
- 5 FILLED WITH PARTS BEGINING HERE
- 6 MADE FROM POLYSTYRENE

THIS DRAWING IS A CONTROLLED DOCUMENT.		DWN K. WEIDNER 2/2/05	TE Connectivity	
DIMENSIONS: mm [INCHES]		CHK J. HAVENER 19APR05		
TOLERANCES UNLESS OTHERWISE SPECIFIED:		APVD J. HAVENER 19APR05	NAME MCX PCB JACK, SMT EDGE LAUNCH	
0 PLC ± - 1 PLC ± - 2 PLC ± 0.13[.005] 3 PLC ± - 4 PLC ± - ANGLES ± ± 2°		PRODUCT SPEC -	SIZE A2	
MATERIAL -		FINISH -	APPLICATION SPEC -	CAGE CODE 00779
		WEIGHT -	DRAWING NO G-1274670	RESTRICTED TO -
CUSTOMER DRAWING			SCALE NTS	SHEET 2 OF 2
			REV B3	