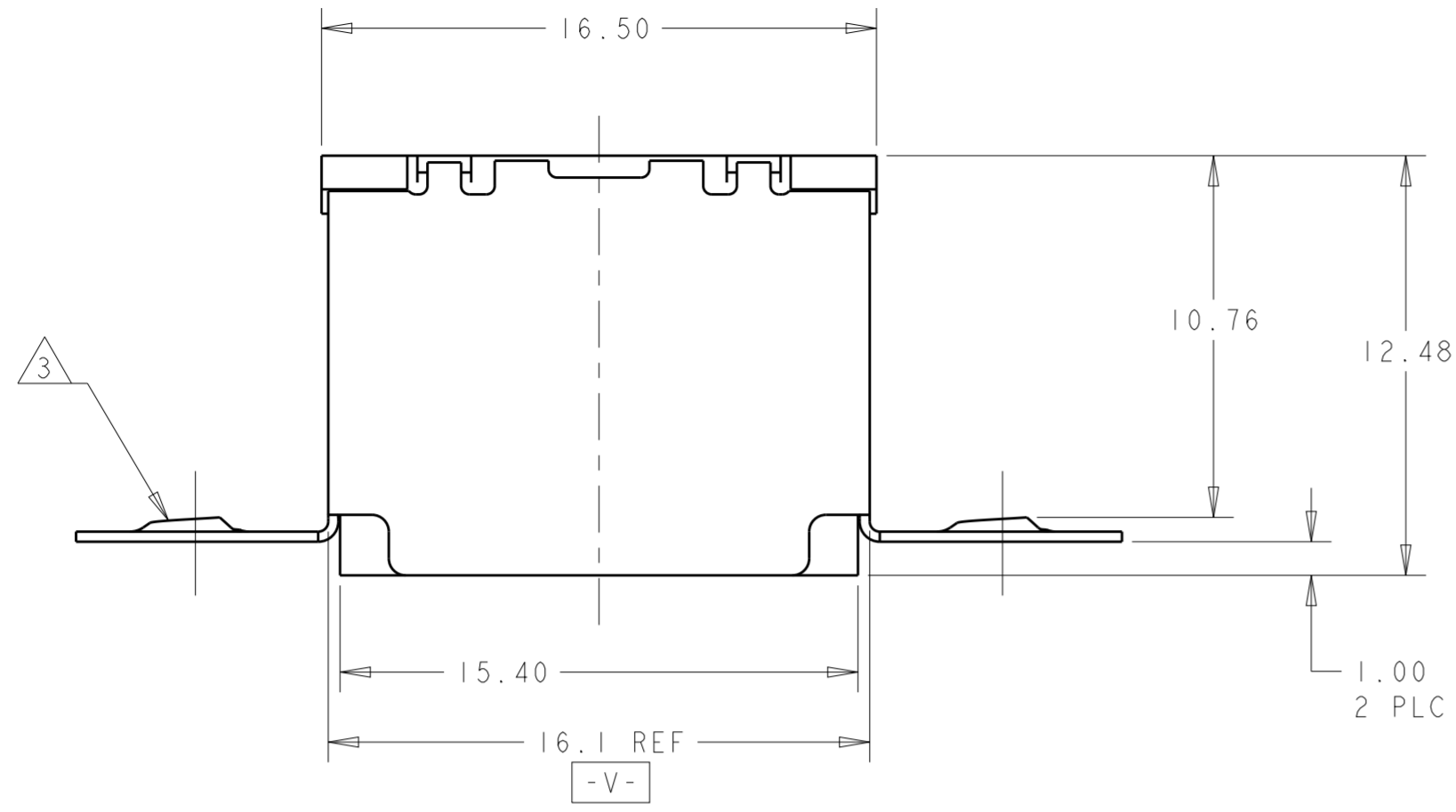
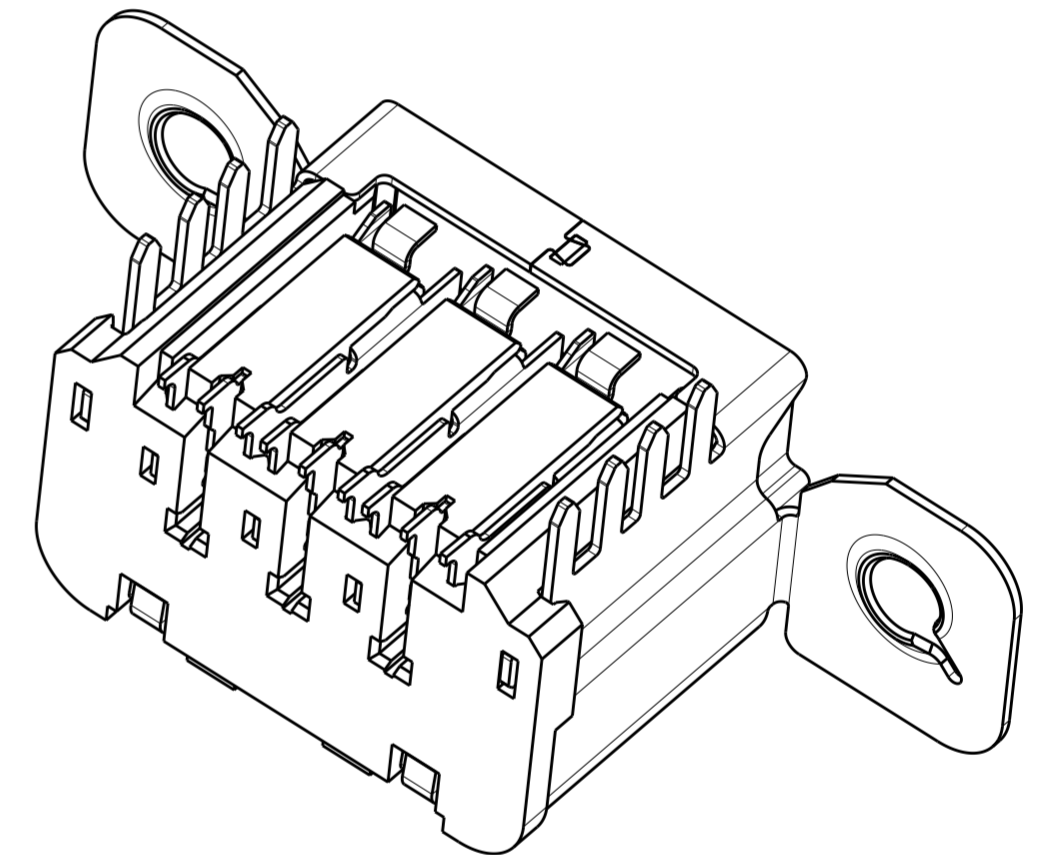
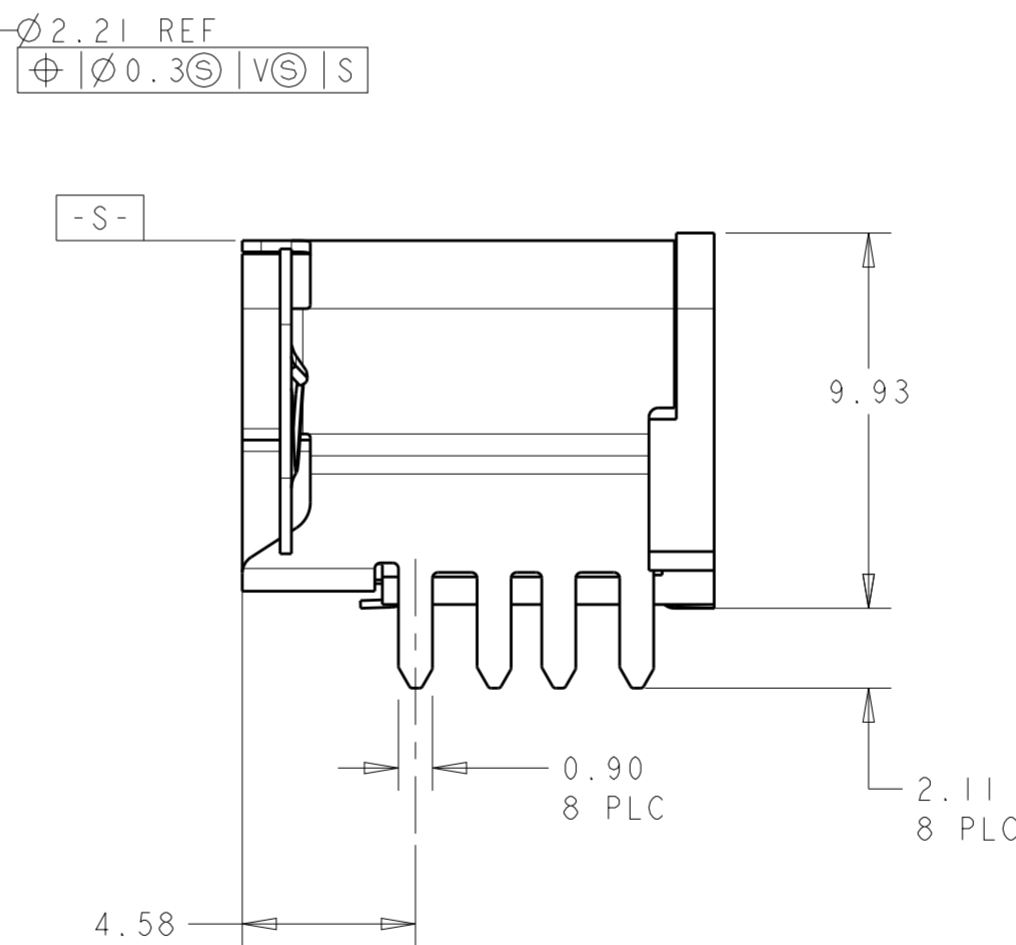
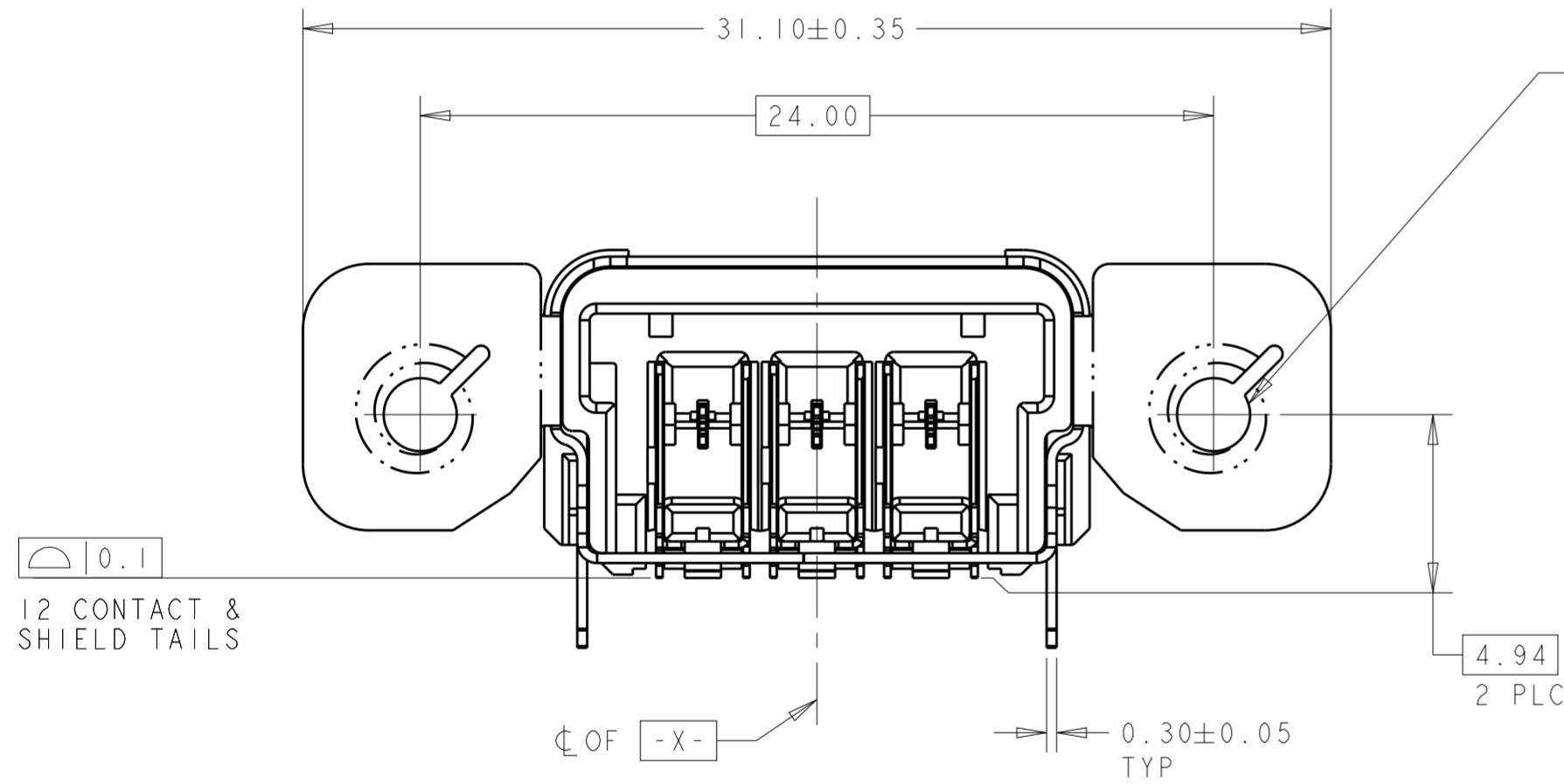


THIS DRAWING IS UNPUBLISHED. RELEASED FOR PUBLICATION 20
 © COPYRIGHT 20 BY TYCO ELECTRONICS CORPORATION. ALL RIGHTS RESERVED.

LOC	DIST	REVISIONS			
P	LTR	DESCRIPTION	DATE	DWN	APVD
AJ	00	H	REVISED PER ECO-09-010644	28MAY2009	DW KW
		J	REVISED PER ECO-15-017280	02NOV2015	LN RS



- 1 MATERIAL:
HOUSING: LCP UL94V0, COLOR - BLACK
CONTACTS, SHIELDS - COPPER ALLOY
SHELL - STEEL
- 2 PLATING:
CONTACTS:
CONTACT AREA - CONFORMS TO THE REQUIREMENT OF EIA/ECA-364-1000.01A (CONTROLLED ENVIRONMENT APPLICATIONS), AND TYCO ELECTRONICS PRODUCT SPECIFICATION 108-2324
SOLDER TAIL - Sn OVER Ni
SHIELDS: Sn OVER Ni
SHELL: Sn OVER Ni
- 3 FEATURES ACCEPT 4-40 THREAD SCREWS

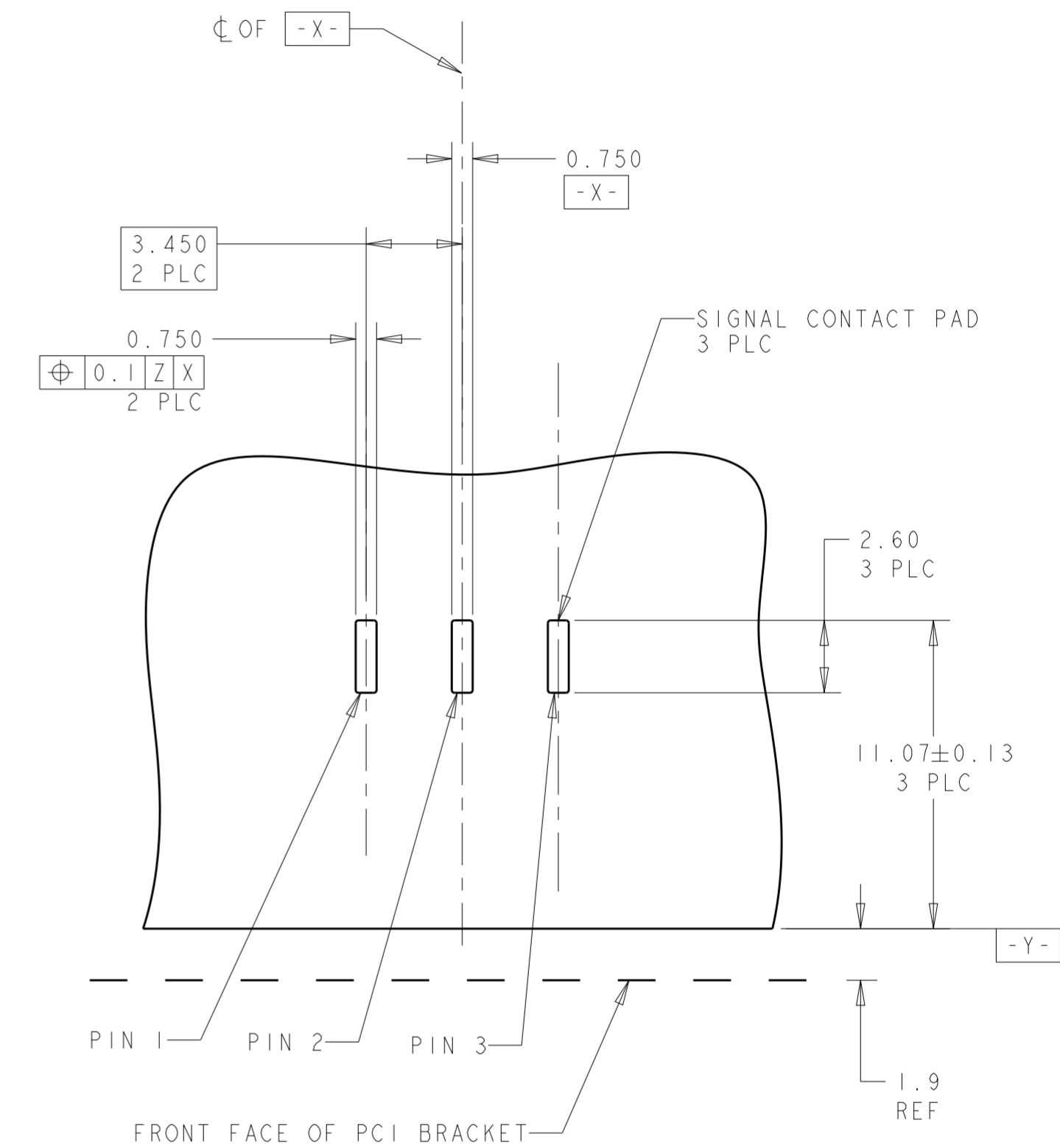
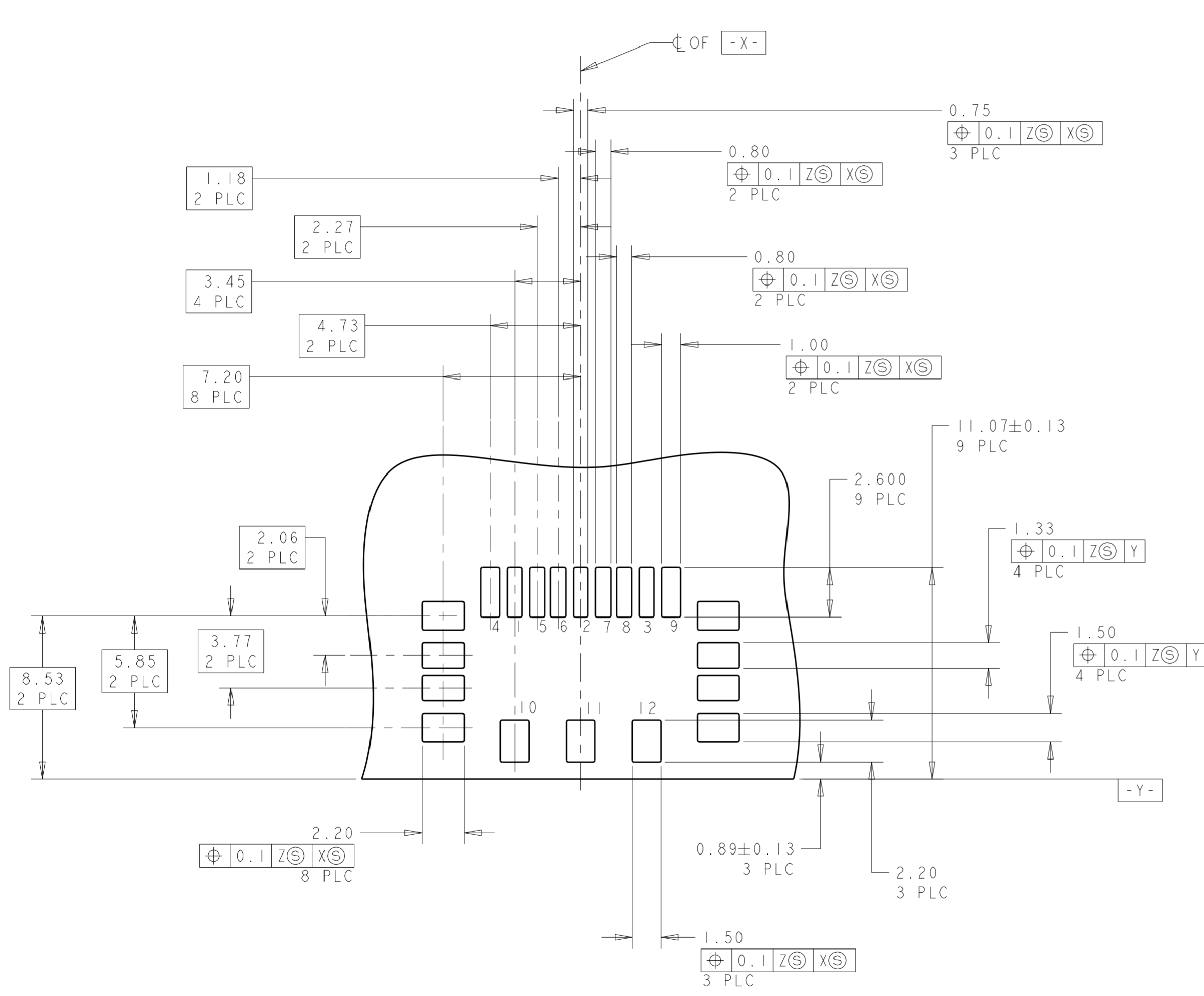


1274824-2
PART NUMBER

THIS DRAWING IS A CONTROLLED DOCUMENT FOR TYCO ELECTRONICS CORPORATION. IT IS SUBJECT TO CHANGE AND THE CONTROLLING ENGINEERING ORGANIZATION SHOULD BE CONTACTED FOR THE LATEST REVISION.		DWN JJ CONSOL 06DEC2006	Tyco Electronics Harrisburg, PA 17105-3608	
DIMENSIONS: mm		CHK JJ CONSOL 24JAN2007	NAME PCB JACK, 3 PORT QSL, RIGHT ANGLE, THROUGH-HOLE, w/PANEL FLANGES	
TOLERANCES UNLESS OTHERWISE SPECIFIED: 0 PLC ± 1 PLC ± 2 PLC ±0.13 3 PLC ±0.013 4 PLC ± ANGLES ± FINISH		APVD JJ CONSOL 24JAN2007	SIZE A200779	
MATERIAL		PRODUCT SPEC 108-2324	DRAWING NO C-1274824	
1 -		APPLICATION SPEC 114-5397	RESTRICTED TO -	
2 -		WEIGHT -	SCALE 5:1	
		CUSTOMER DRAWING	SHEET 1 OF 5 REV J	

THIS DRAWING IS UNPUBLISHED. RELEASED FOR PUBLICATION 20
 © COPYRIGHT 20 BY TYCO ELECTRONICS CORPORATION. ALL RIGHTS RESERVED.

LOC	DIST	REVISIONS			
P	LTR	DESCRIPTION	DATE	DWN	APVD
AJ	00	-	SEE SHEET 1	-	-



RECOMMENDED PCB LAYOUT
TOP SIGNAL LAYER PADS

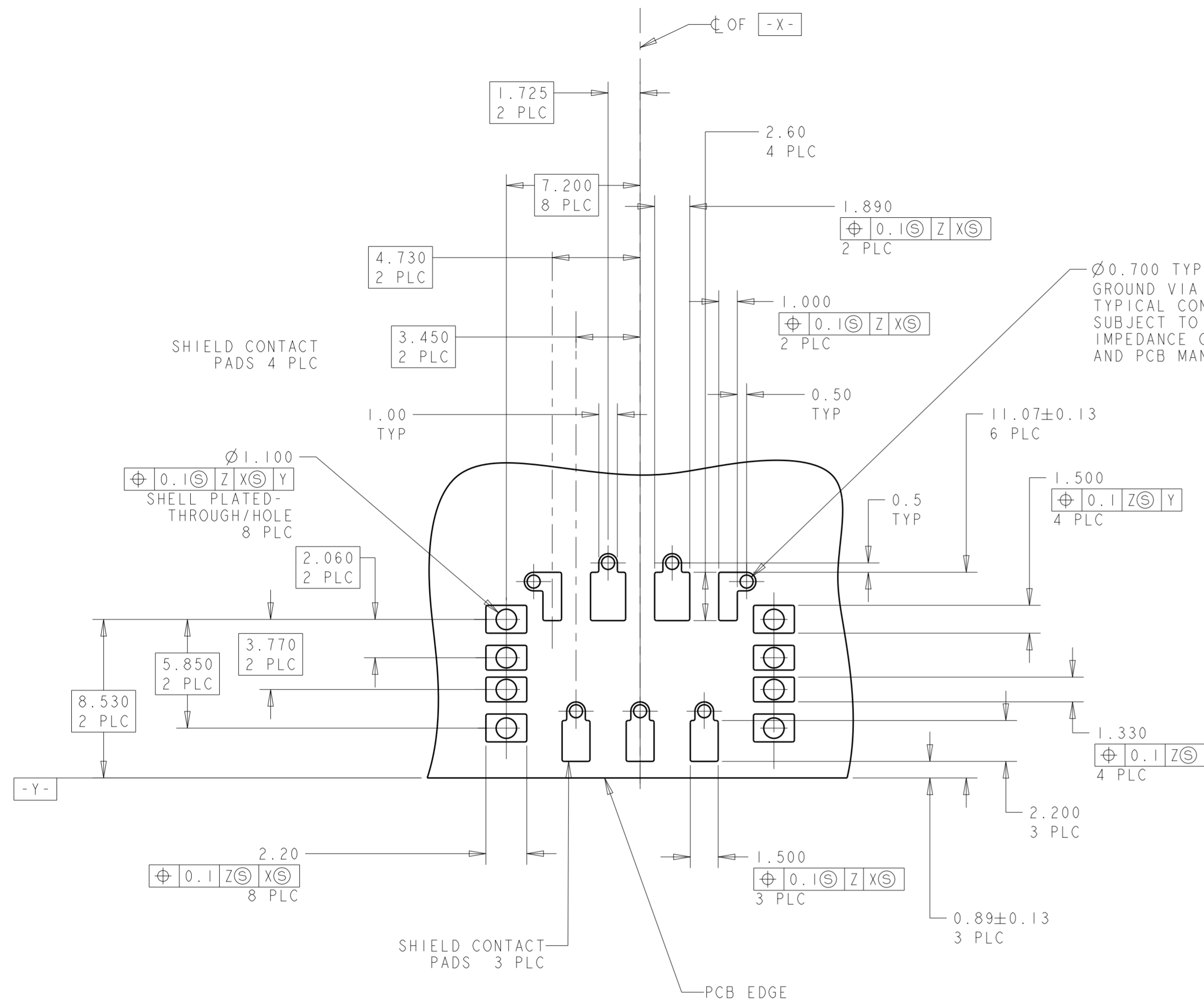
CIRCUIT "A" SIGNAL CONTACT PAD: #1
 CIRCUIT "A" GROUND CONTACT PADS: #4, 5, 10
 CIRCUIT "B" SIGNAL CONTACT PAD: #2
 CIRCUIT "B" GROUND CONTACT PADS: #6, 7, 11
 CIRCUIT "C" SIGNAL CONTACT PAD: #3
 CIRCUIT "C" GROUND CONTACT PADS: #8, 9, 12
 EIGHT UNMARKED PADS w/PLATED-THROUGH HOLES ARE FOR SHELL MECHANICAL HOLDDOWN TAILS

RECOMMENDED PCB
STENCIL LAYOUT

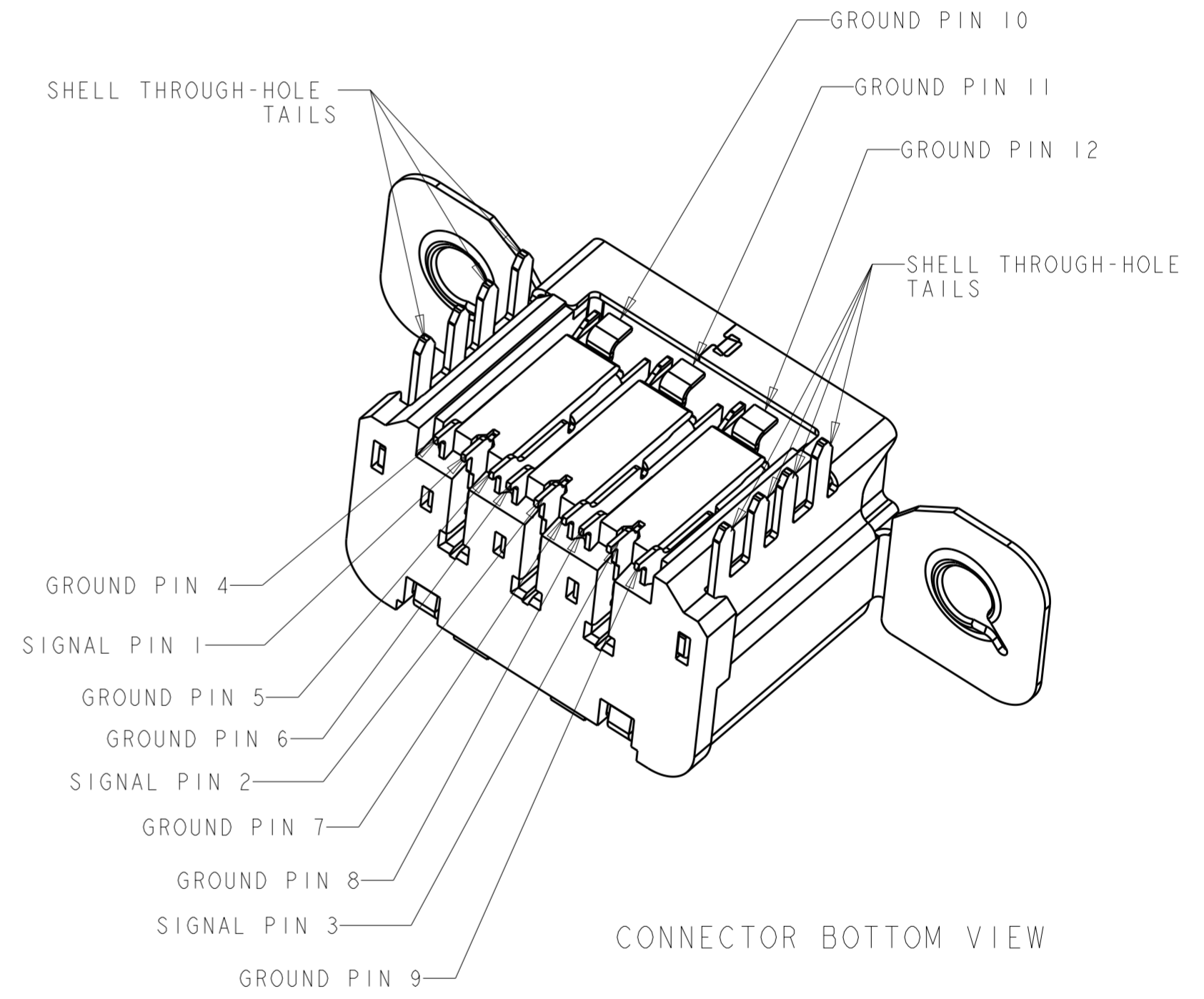
THIS DRAWING IS A CONTROLLED DOCUMENT FOR TYCO ELECTRONICS CORPORATION. IT IS SUBJECT TO CHANGE AND THE CONTROLLING ENGINEERING ORGANIZATION SHOULD BE CONTACTED FOR THE LATEST REVISION.		DWN JJ CONSOL 06DEC2006	Tyco Electronics Harrisburg, PA 17105-3608	
DIMENSIONS: mm		CHK JJ CONSOL 24JAN2007	NAME PCB JACK, 3 PORT QSL, RIGHT ANGLE, THROUGH-HOLE, w/PANEL FLANGES	
TOLERANCES UNLESS OTHERWISE SPECIFIED: 0 PLC ± 1 PLC ± 2 PLC ±0.13 3 PLC ±0.013 4 PLC ± ANGLES ± FINISH		APVD JJ CONSOL 24JAN2007	SIZE A200779	
MATERIAL		PRODUCT SPEC 108-2324	DRAWING NO C-1274824	
		APPLICATION SPEC 114-5397	RESTRICTED TO	
		WEIGHT	SCALE 5:1	
		CUSTOMER DRAWING	SHEET 2 OF 5	
			REV J	

THIS DRAWING IS UNPUBLISHED. RELEASED FOR PUBLICATION 20
 © COPYRIGHT 20 BY TYCO ELECTRONICS CORPORATION. ALL RIGHTS RESERVED.

LOC	DIST	REVISIONS				
P	LTR	DESCRIPTION	DATE	DWN	APVD	
AJ	00	SEE SHEET 1	-	-	-	



RECOMMENDED PCB LAYOUT
TOP GROUND LAYER WITH DISCRETE PADS

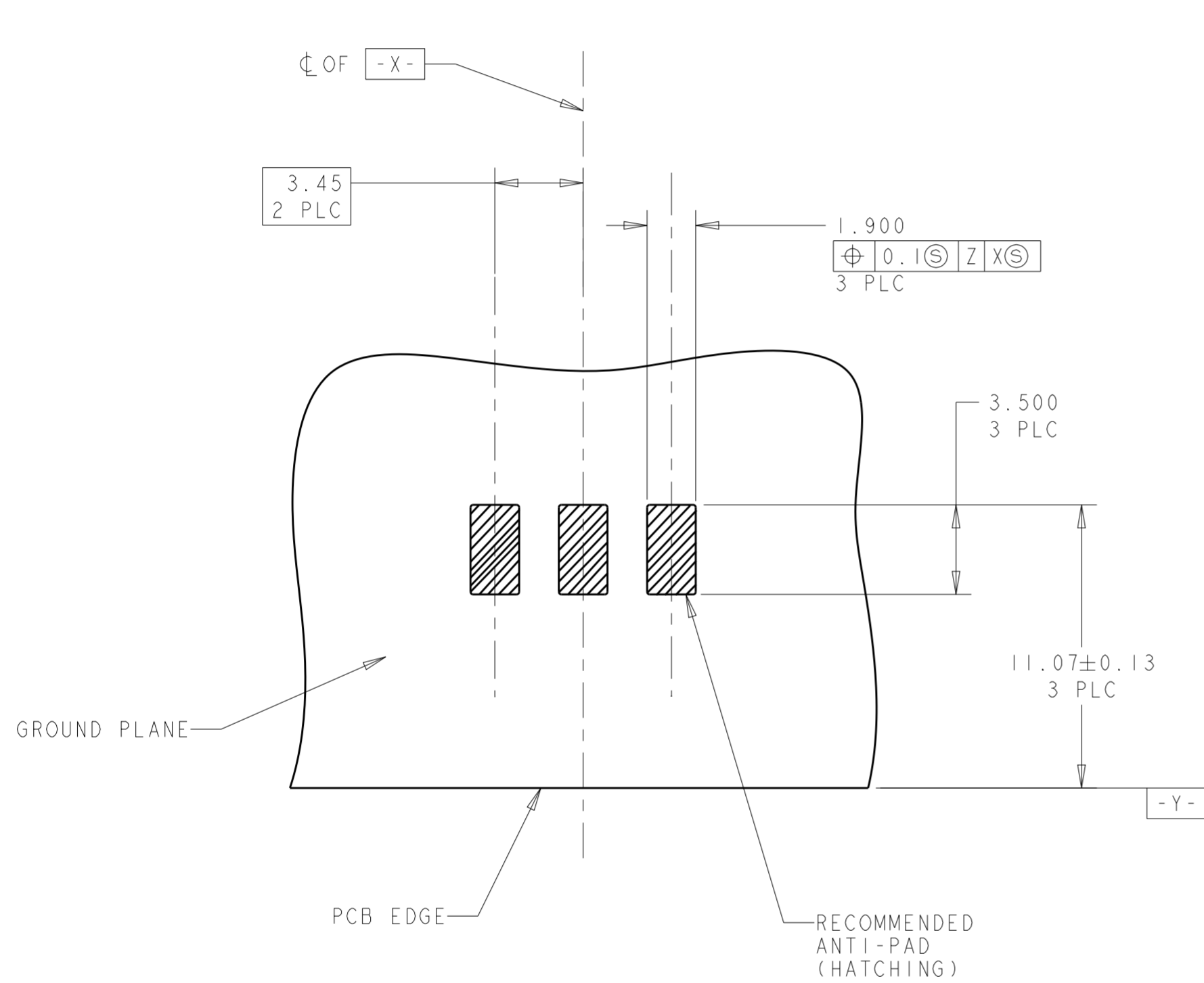


CONNECTOR BOTTOM VIEW

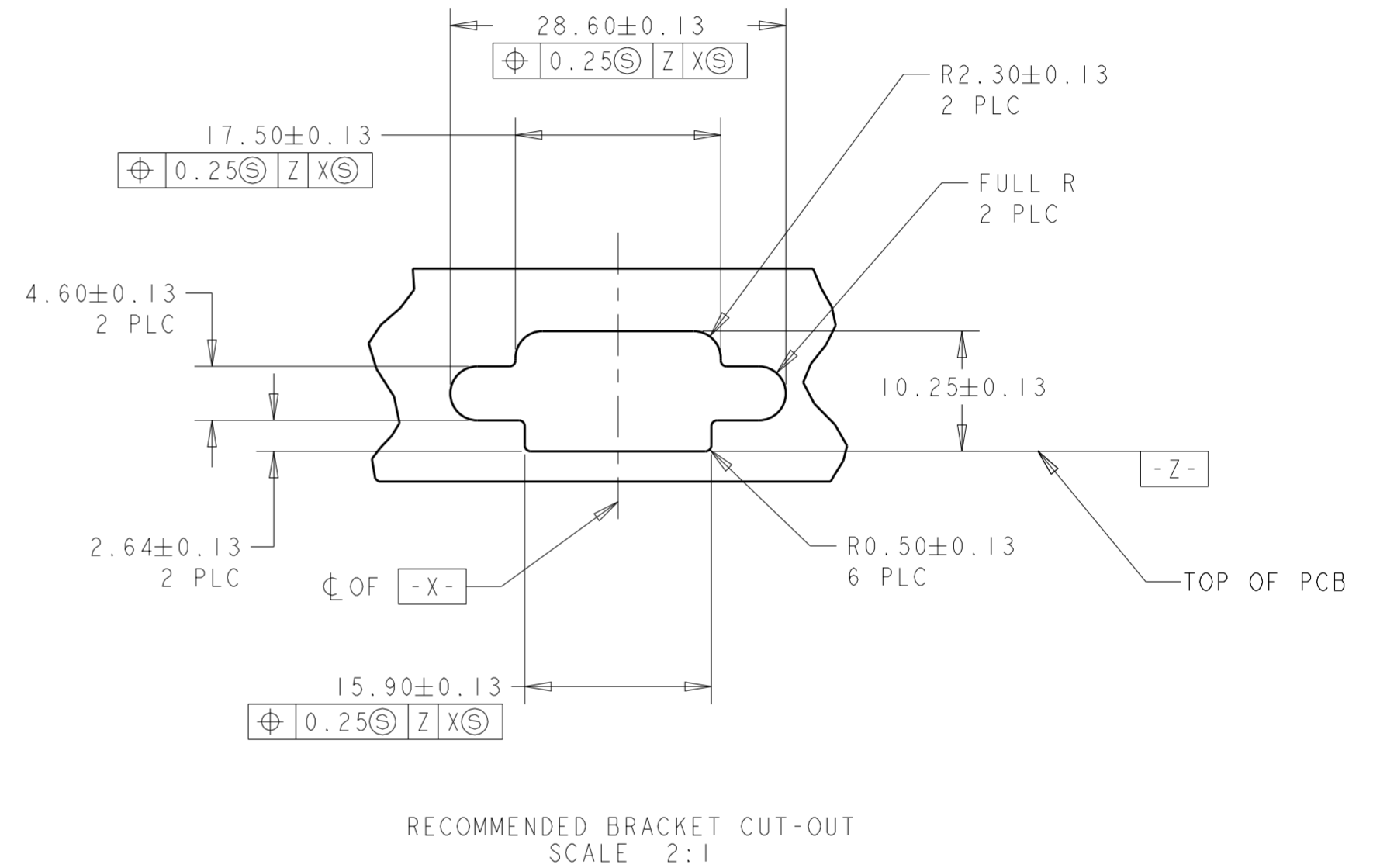
THIS DRAWING IS A CONTROLLED DOCUMENT FOR TYCO ELECTRONICS CORPORATION. IT IS SUBJECT TO CHANGE AND THE CONTROLLING ENGINEERING ORGANIZATION SHOULD BE CONTACTED FOR THE LATEST REVISION.		DWN JJ CONSOL 06DEC2006	Tyco Electronics Harrisburg, PA 17105-3608	
DIMENSIONS: mm		CHK JJ CONSOL 24JAN2007	NAME PCB JACK, 3 PORT QSL, RIGHT ANGLE, THROUGH-HOLE, w/PANEL FLANGES	
TOLERANCES UNLESS OTHERWISE SPECIFIED: 0 PLC ± 1 PLC ± 2 PLC ±0.13 3 PLC ±0.013 4 PLC ± ANGLES ± FINISH		APVD JJ CONSOL 24JAN2007	SIZE A200779	
MATERIAL		PRODUCT SPEC 108-2324	DRAWING NO C-1274824	
		APPLICATION SPEC 114-5397	RESTRICTED TO	
		WEIGHT	SCALE 5:1	
		CUSTOMER DRAWING	SHEET 3 OF 5	
			REV J	

THIS DRAWING IS UNPUBLISHED. RELEASED FOR PUBLICATION 20
 © COPYRIGHT 20 BY TYCO ELECTRONICS CORPORATION. ALL RIGHTS RESERVED.

LOC	DIST	REVISIONS			
P	LTR	DESCRIPTION	DATE	DWN	APVD
		SEE SHEET 1			



RECOMMENDED PCB LAYOUT
 OF ANTIPADS FOR ALL GROUND AND POWER LAYERS



RECOMMENDED BRACKET CUT-OUT
 SCALE 2:1

THIS DRAWING IS A CONTROLLED DOCUMENT FOR TYCO ELECTRONICS CORPORATION. IT IS SUBJECT TO CHANGE AND THE CONTROLLING ENGINEERING ORGANIZATION SHOULD BE CONTACTED FOR THE LATEST REVISION.		DWN JJ CONSOLI 06DEC2006	Tyco Electronics Harrisburg, PA 17105-3608	
DIMENSIONS: mm		CHK JJ CONSOLI 24JAN2007	NAME PCB JACK, 3 PORT QSL, RIGHT ANGLE, THROUGH-HOLE, w/PANEL FLANGES	
TOLERANCES UNLESS OTHERWISE SPECIFIED: 0 PLC ± 1 PLC ± 2 PLC ±0.13 3 PLC ±0.013 4 PLC ±		APVD JJ CONSOLI 24JAN2007	SIZE A200779	
MATERIAL		PRODUCT SPEC 108-2324	DRAWING NO C-1274824	
FINISH		APPLICATION SPEC 114-5397	RESTRICTED TO -	
		WEIGHT -	SCALE 5:1 SHEET 4 OF 5 REV J	
		CUSTOMER DRAWING		