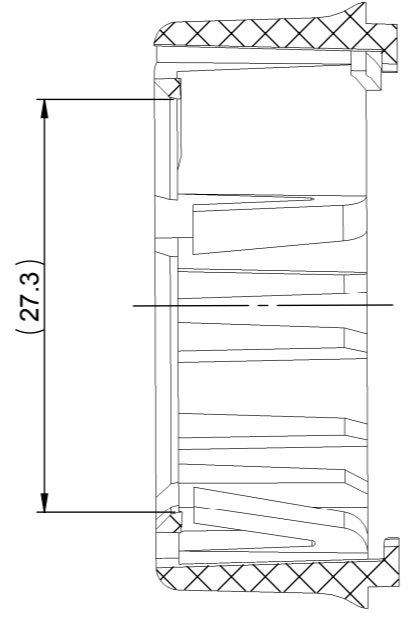
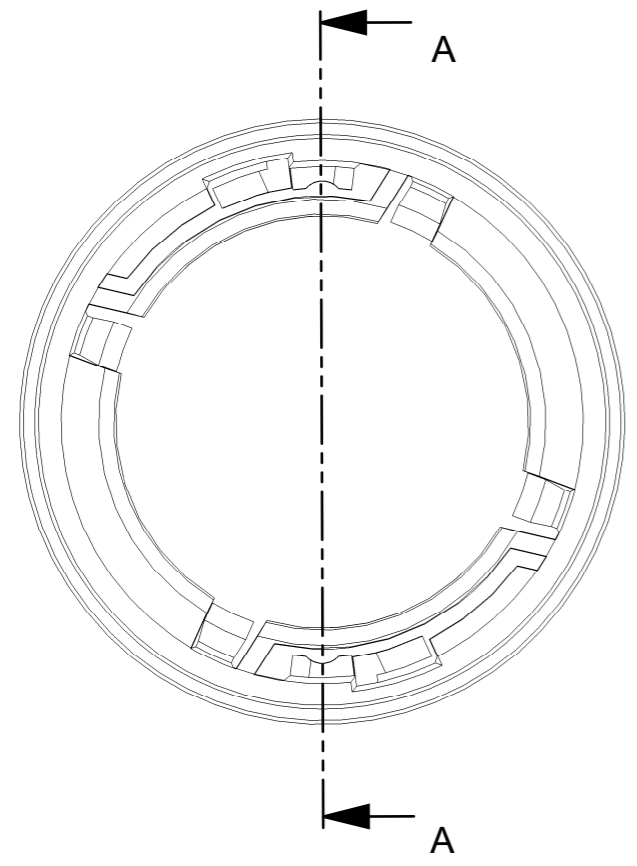
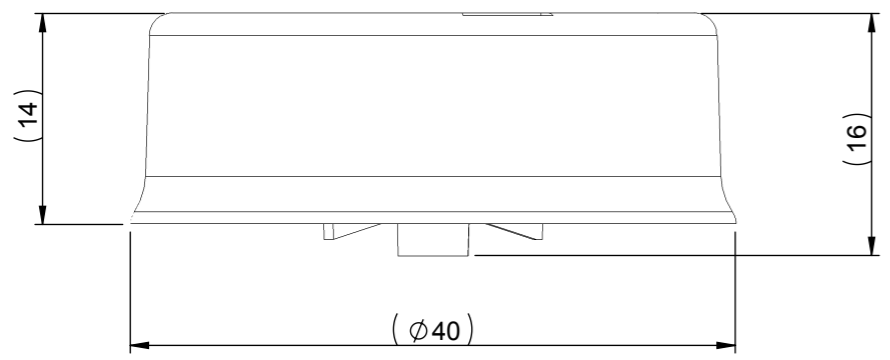


REV.	DESCRIPTION	DATE	APPROVED
D1	INITIAL DESIGN CONCEPT. P.SUTTON	30 JUN'14	
D2	REFER DCN 1375 - P.SUTTON	28 JUL'14	
D3	REFER DCN 1381 - P.SUTTON	23 SEPT'14	



SECTION A-A



CUSTOMER DRAWING SHEET 2 OF 2

- NOTES:
- 1 - MATERIAL: POLYCARBONATE
 - 2 - GENERAL DRAFT 1.5°
 - 3 - ITEM () IS REFERENCE DIMENSION

<p>103 Buckingham Avenue SL1 4PF, UK. Tel: +44(0) 01753 575 011 Fax: +44(0) 01753 811 359 sales@carclo-optics.com www.carclo-optics.com</p>	Title		HOLDER, 30MM, BJB MOUNTING BASE		
	Drawn by	P.SUTTON	Customer		
	GENERAL TOLERANCES UNLESS OTHERWISE STATED		DIMENSION IN mm		
	0 ±0.25	0 ±1°	CAD File	12875_D3	
0.0 ±0.1	0.0 ±0.5°	Part N°	12875	Format Size	A3
0.00 ±0.05	0.00 ±0.1°	Drw N°		Scale	2:1
<p>CARCLO Optics CONFIDENTIAL: UNAUTHORISED COPYING, DISCUSSION & DISTRIBUTION PROHIBITED</p>					