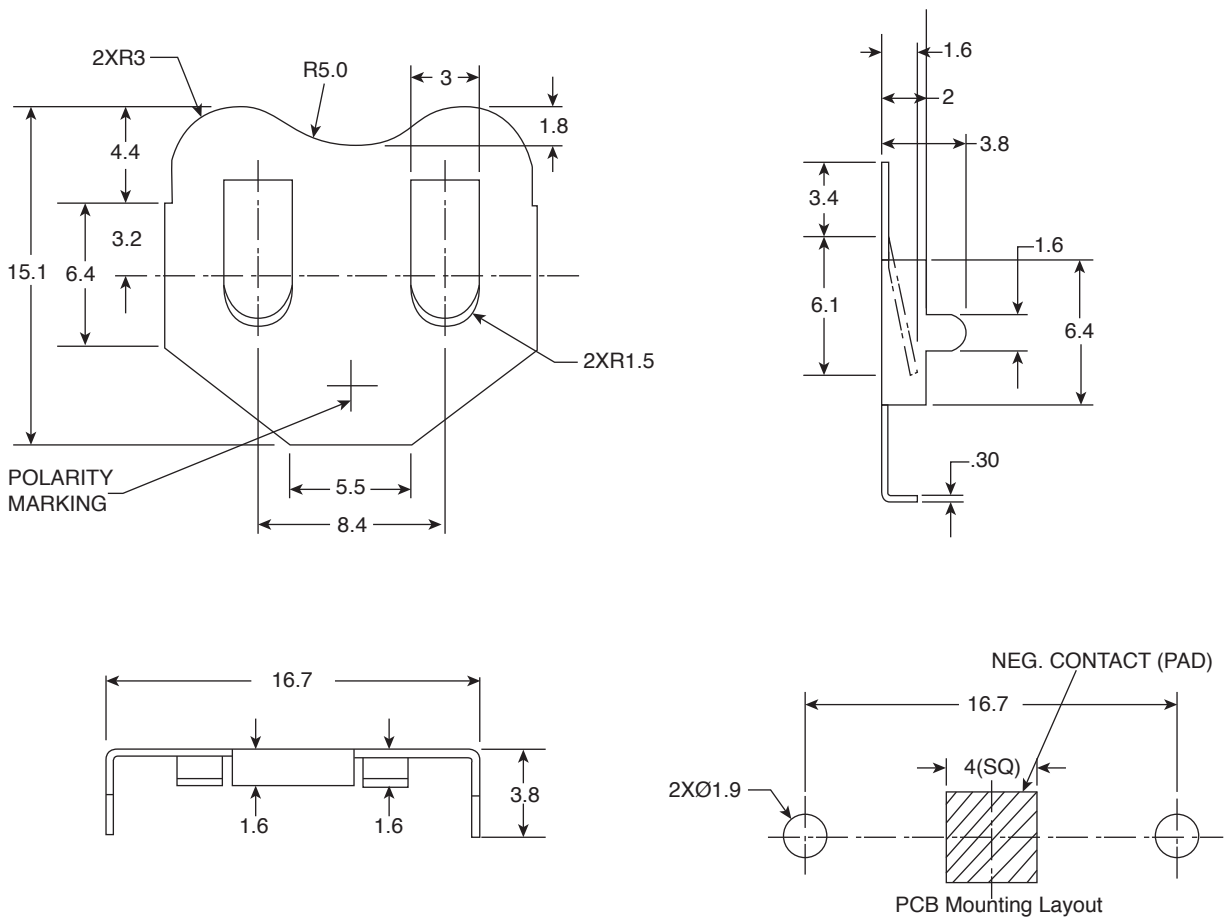


DIMENSIONS: mm



SPECIFICATIONS

Material:	0.3mm Phosphor Bronze Nickel Plated
Battery Size:	CR1616
RoHS Compliant	

Available from Mouser Electronics
1-800-346-6873 / www.mouser.com

EPD-200952