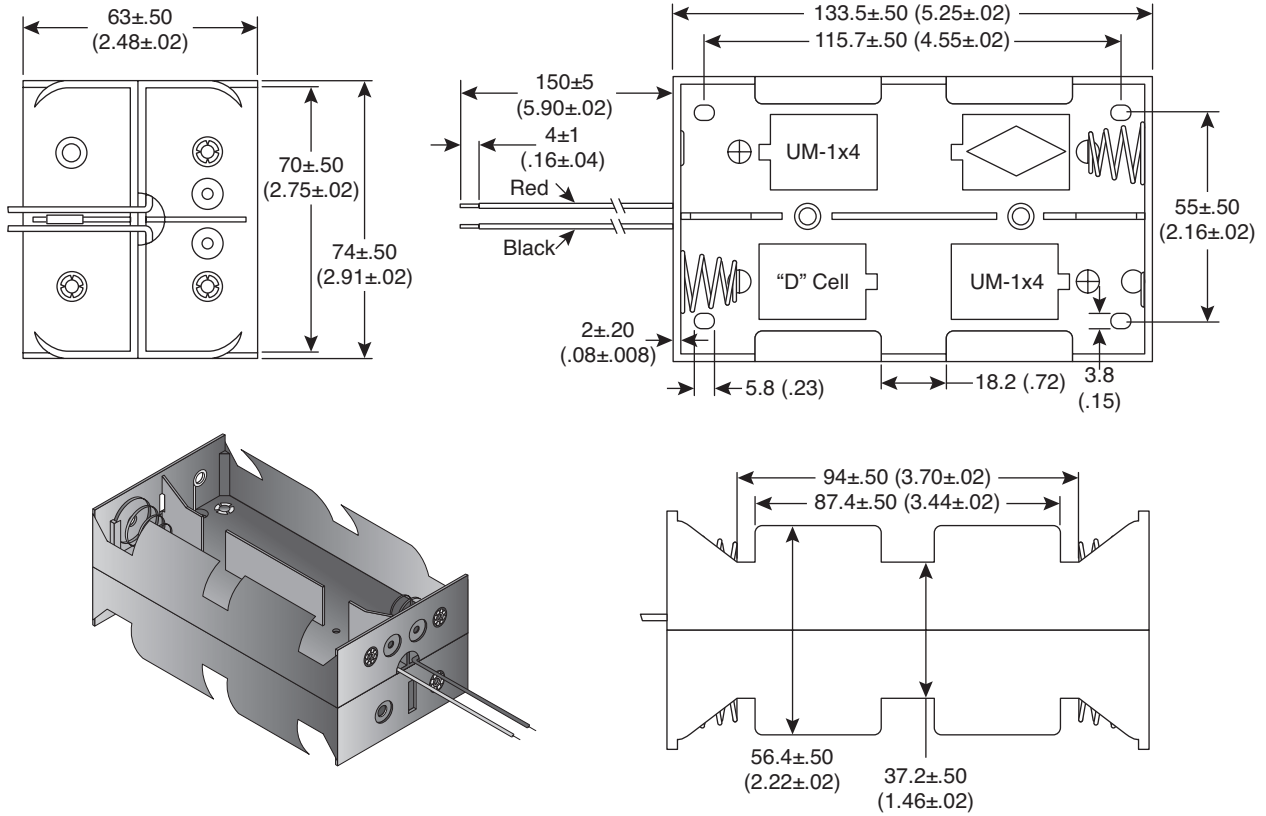


Date Last Revised: 4-4-12



DIMENSIONS: mm (in.)

SPECIFICATIONS	
Wire:	AWG#24
Black & Red:	150mm+5mm
Strip & Tin:	5mm±1mm
Material:	P.P. Resin, Black Color
Spring:	1.0mm 65C Spring Wire
RoHS Compliant	

Available from Mouser Electronics
 1-800-346-6873 / www.mouser.com

EPD-200875