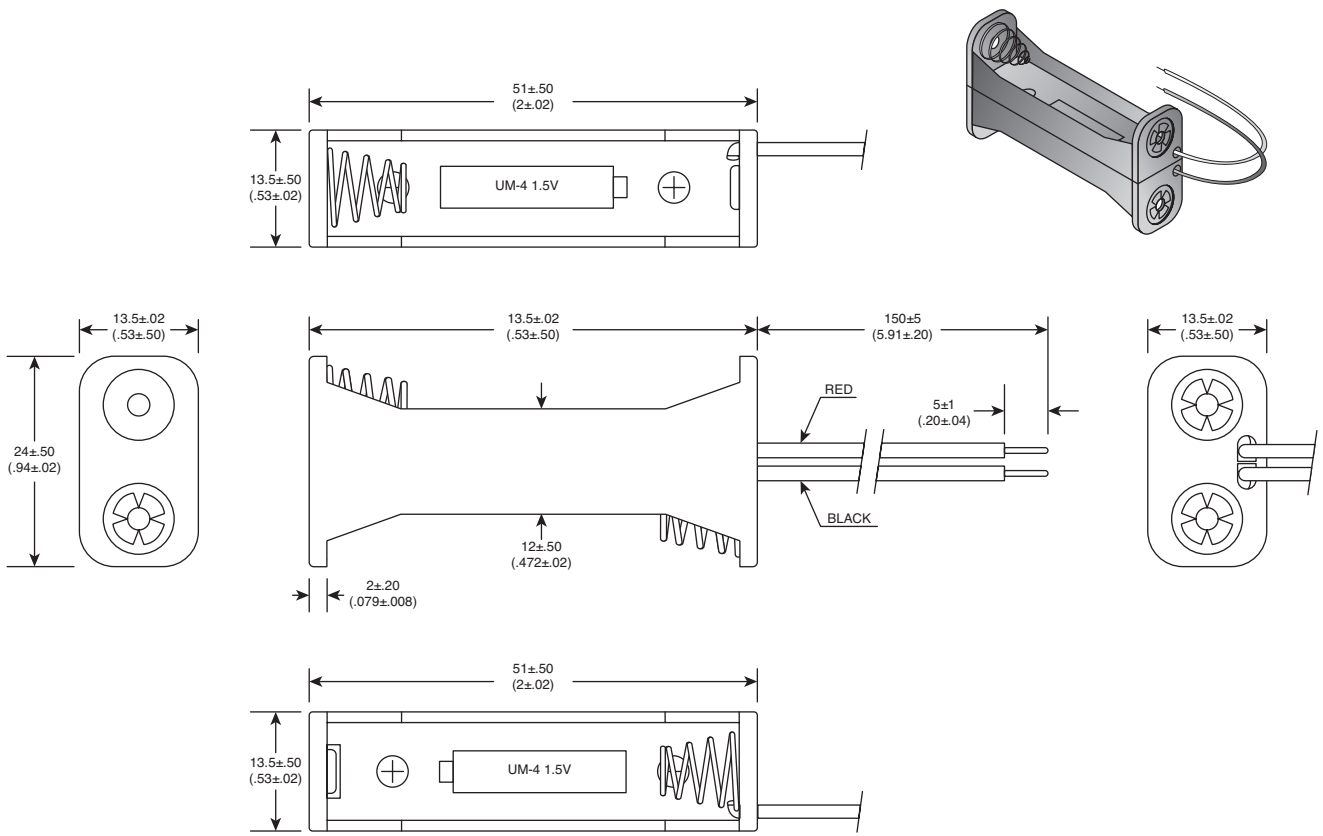


2 “AAA” Battery Holder with Wire Leads

12BH422A-GR

Date Last Revised: 8-6-13



DIMENSIONS: mm (in.)

SPECIFICATIONS	
Wire:	AWG #26 Black & Red 150MM±5MM Strip & Tin 5MM±1MM
Material:	PP Resin, Black Color
Spring:	0.6mm 65C Spring Wire
RoHS Compliant	

Available from Mouser Electronics
1-800-346-6873 / www.mouser.com

EPD-200815

Specifications are subject to change without notice. No liability or warranty implied by this information. Environmental compliance based on producer documentation.