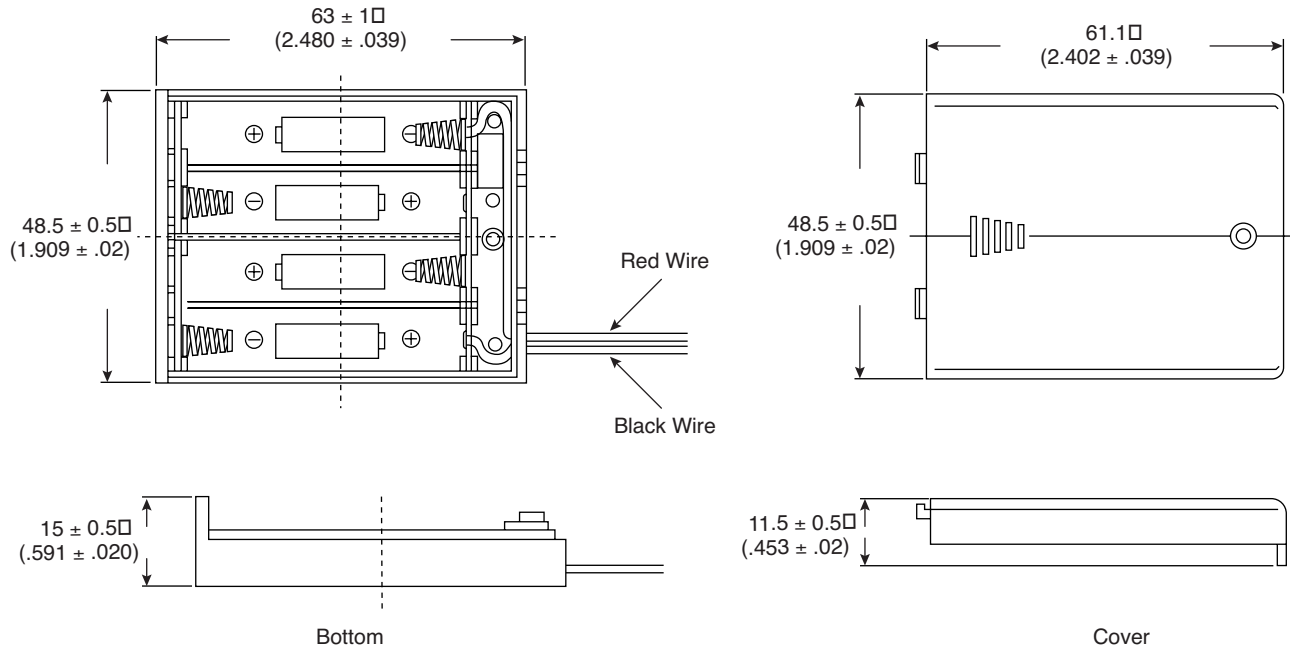


# 4 “AAA” Battery Holder with Leads and Cover

12BH441/C-GR

Date Last Revised: 06-21-07



Dimensions: mm (in.)

SPECIFICATIONS	
<b>Wire:</b>	AWG#26, Black and Red 150mm $\pm$ 5mm strip and tin 5mm $\pm$ 1mm
<b>Material:</b>	ABS Resin, black color
<b>Spring:</b>	0.6MM 65C spring wire
RoHS Compliant	

Available from Mouser Electronics  
1-800-346-6873 / [www.mouser.com](http://www.mouser.com)

EPD-200664