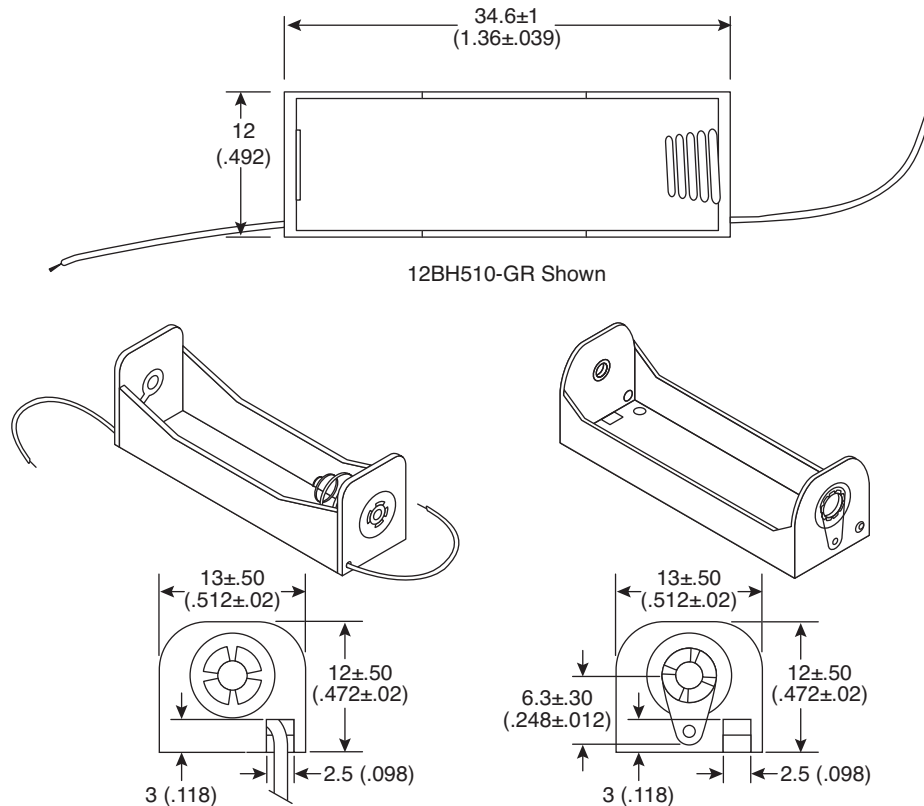


# 1 "N" Battery Holder with Leads or Solder Lugs

12BH510-GR, 12BH511-GR

Date Last Revised: 11/24/09



Dimensions: mm (in.)

SPECIFICATIONS	
Body Material:	P.P. Resin, Black
Springs & rivets:	Nickel plated
Corrosion resistant	
Choice of 6 inch leads (12BH510-GR) or solder lugs (12BH511-GR)	
RoHS Compliant	

Available from Mouser Electronics  
1-800-346-6873 / [www.mouser.com](http://www.mouser.com)

EPD-200657