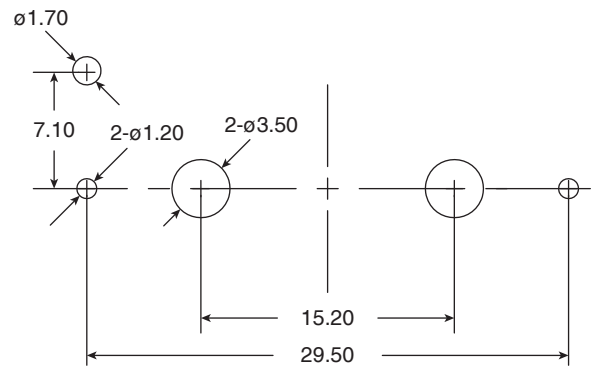
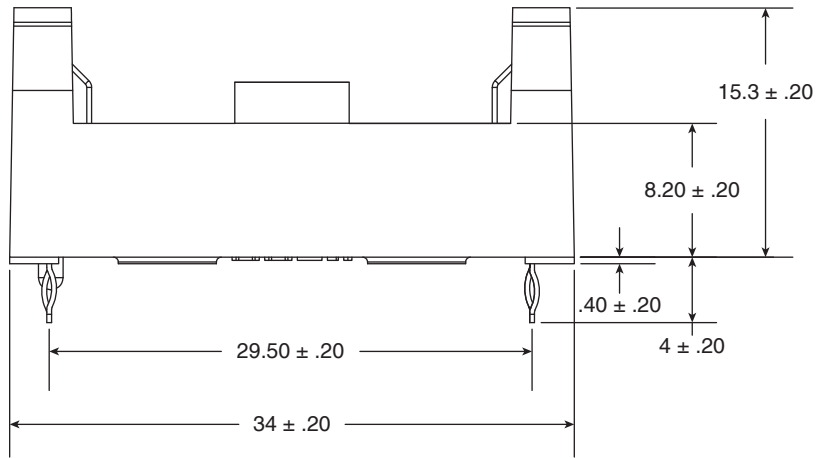
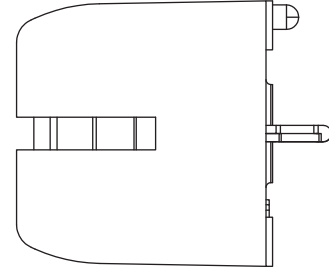
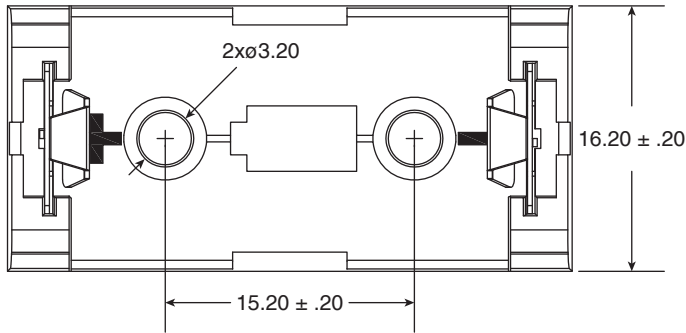


DIMENSIONS: mm.



PCB Layout

## SPECIFICATIONS

|                                     |   |
|-------------------------------------|---|
| <b>Holder Material &amp; Color:</b> | PBT+30% Glass Fibre, Black                |
| <b>Contact Material:</b>            | .3mm Thick Stainless Steel, Nickel Plated |
| RoHS Compliant                      |   |