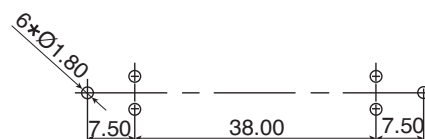
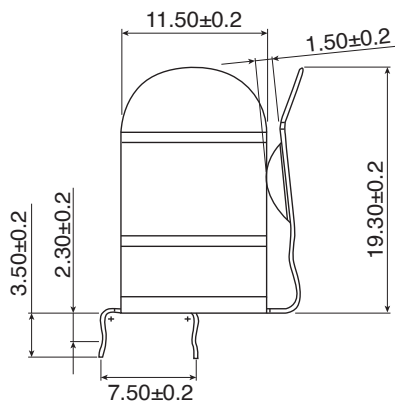
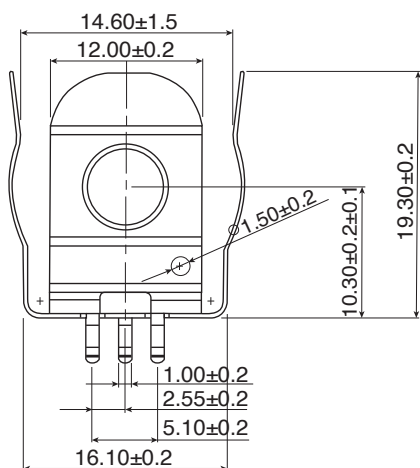
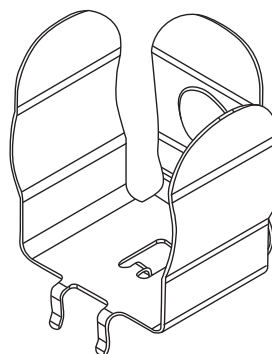
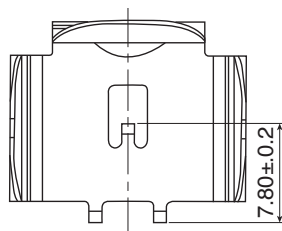


### DIMENSIONS: mm



PCB LAYOUT 1:1

### Specifications:

Material : spring steel T=0.300 plate Ni finish

Note: RoHS Compliant

**Available from Mouser Electronics**  
**1-800-346-6873 / www.mouser.com**

EPD-201000