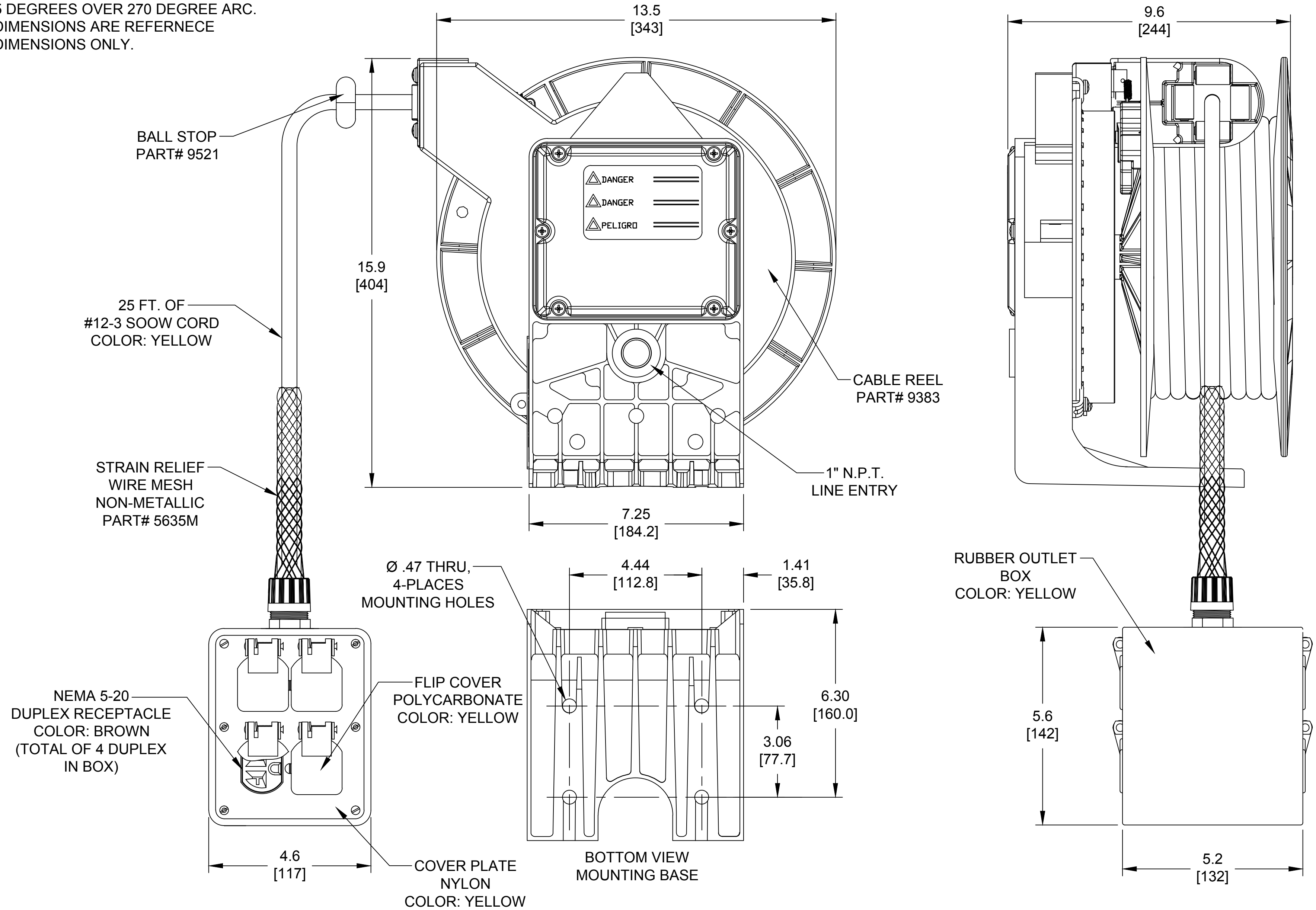


\* CABLE GUIDE IS ADJUSTABLE EVERY 5 DEGREES OVER 270 DEGREE ARC.  
 \* DIMENSIONS ARE REFERRECE DIMENSIONS ONLY.



RELEASE SALES DWG EC NO.: IFC2016-1557 DRWN: HRUIZ01 2016/05/18 CH'KD: HKNEELAN 2016/05/18 APPR: JFMURPHY 2016/05/26	QUALITY SYMBOL	GENERAL TOLERANCES (UNLESS SPECIFIED)		DIMENSION STYLE	SCALE	DESIGN UNITS	THIRD ANGLE PROJECTION		
	▽=0	mm	INCH	INCH/MM	NTS	INCH			
	∇=0	4 PLACES	±---	±---	DRAWN BY	DATE	TITLE		
		3 PLACES	±---	±.005	CHECKED BY	DATE	9383 CABLE REEL 3215 OUTLET BOX (4) NEMA 5-20 DUPLEX		
		2 PLACES	±.13	±.010	APPROVED BY	DATE	MOLEX INCORPORATED		
	1 PLACE	±.25	±.020	JFMURPHY	2016/05/26	MATERIAL NO. 1300830929			
		ANGULAR ±1/2°		DOCUMENT NO. SD-130083-056		SHEET NO. 1 OF 1			
		DRAFT WHERE APPLICABLE MUST REMAIN WITHIN DIMENSIONS		THIS DRAWING CONTAINS INFORMATION THAT IS PROPRIETARY TO MOLEX INCORPORATED AND SHOULD NOT BE USED WITHOUT WRITTEN PERMISSION					