

6

5

4

3

2

1

E

E

D

D

C

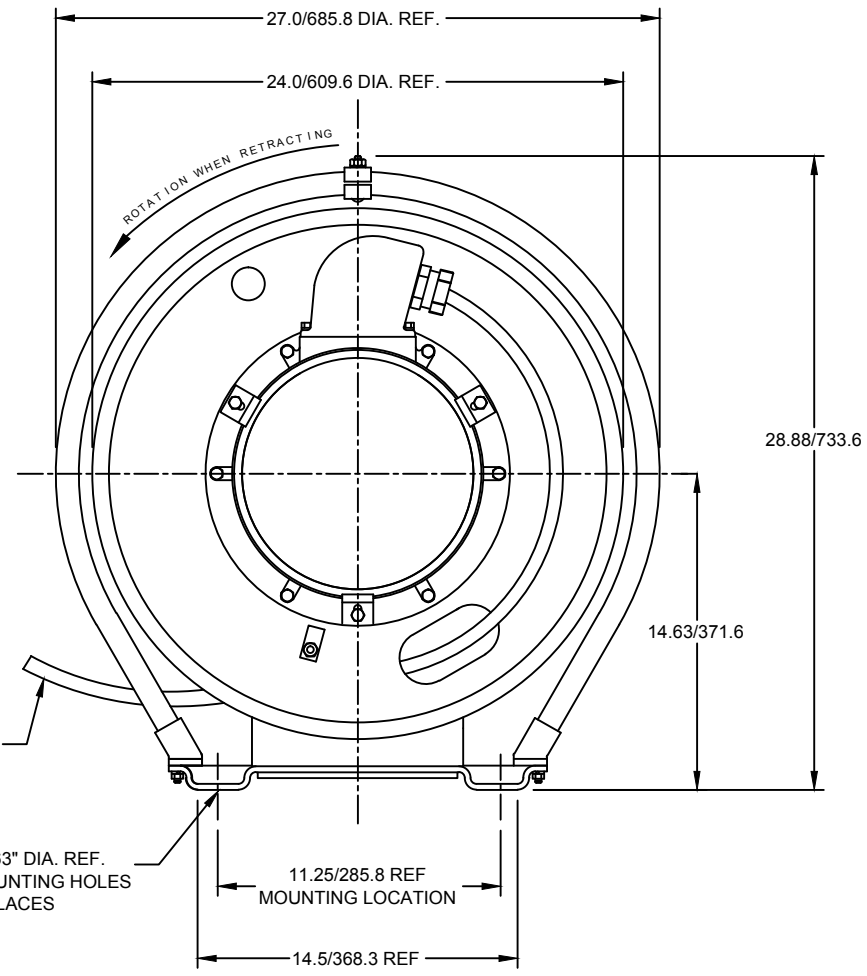
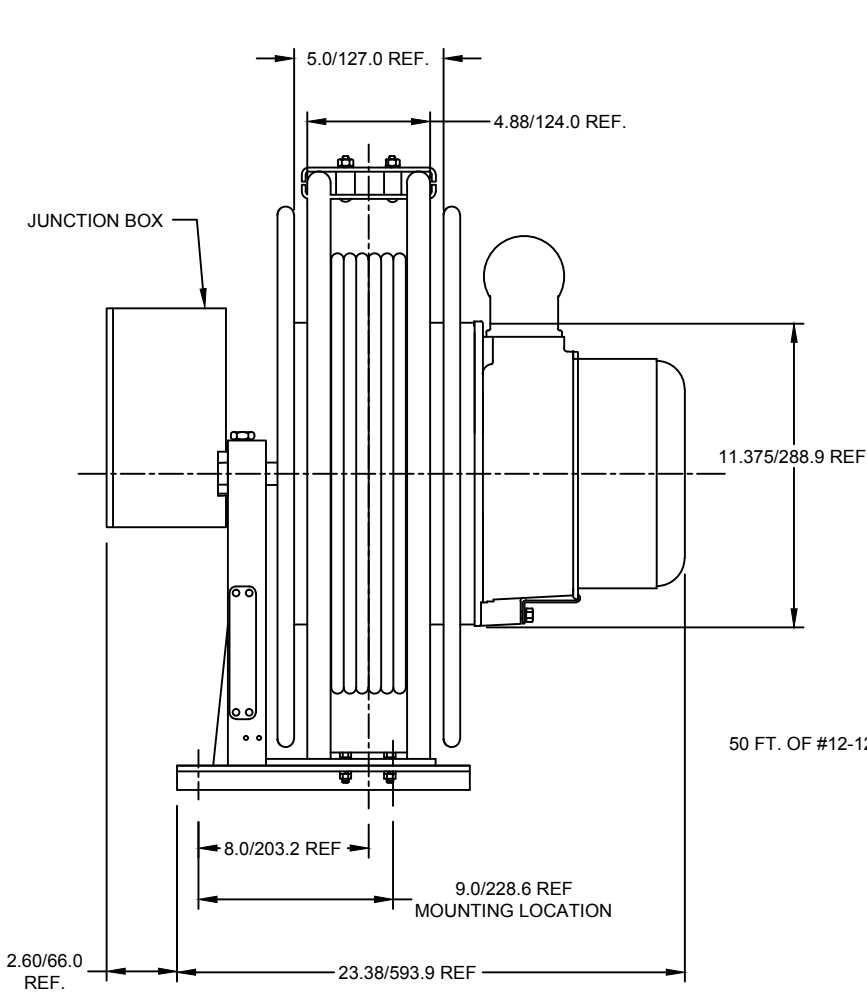
C

B

B

A

A



SPECIFICATIONS:
 ELECTRICAL RATING: 10A, 600V
 LIFT APPLICATION WITHOUT RATCHET
 AGENCY APPROVAL: C.S.A.
 NOTE: ROLLER GUIDE AND PIVOT BASE NOT INCLUDED.

RELEASE SALES DRAWING EC NO: ICG2013-1990 DRWN: HRUIZ01 2013/06/21 CHKD: HKNEELAN APPR: JFMURPHY 2013/08/10	DESCRIPTION REV	QUALITY SYMBOLS $\nabla = 0$ $\nabla / C = 0$	GENERAL TOLERANCES (UNLESS SPECIFIED)		DIMENSION STYLE INCH/MM		SCALE NTS	DESIGN UNITS INCH	THIRD ANGLE PROJECTION		
		4 PLACES ±--- ±---	mm ±--- INCH ±---	DRAWN BY HRUIZ01	DATE 2013/06/21	TITLE 125305312G5 CABLE REEL W/ 50 FEET OF #12-12 SOW CORD					
		3 PLACES ±--- ±.005	mm ±.13 INCH ±.010	CHECKED BY HKNEELAN	DATE 2013/06/21	MOLEX INCORPORATED					
		2 PLACES ±.13 ±.010	mm ±.25 INCH ±.020	APPROVED BY JFMURPHY	DATE 2013/08/10	MATERIAL NO. 1300851070		DOCUMENT NO. SD-130085-009		SHEET NO. 1 OF 1	
DRAFT WHERE APPLICABLE MUST REMAIN WITHIN DIMENSIONS		THIS DRAWING CONTAINS INFORMATION THAT IS PROPRIETARY TO MOLEX INCORPORATED AND SHOULD NOT BE USED WITHOUT WRITTEN PERMISSION									

6

5

4

3

2

1