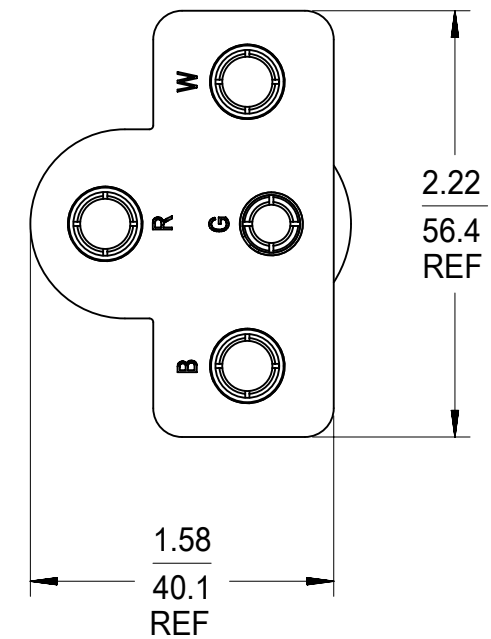
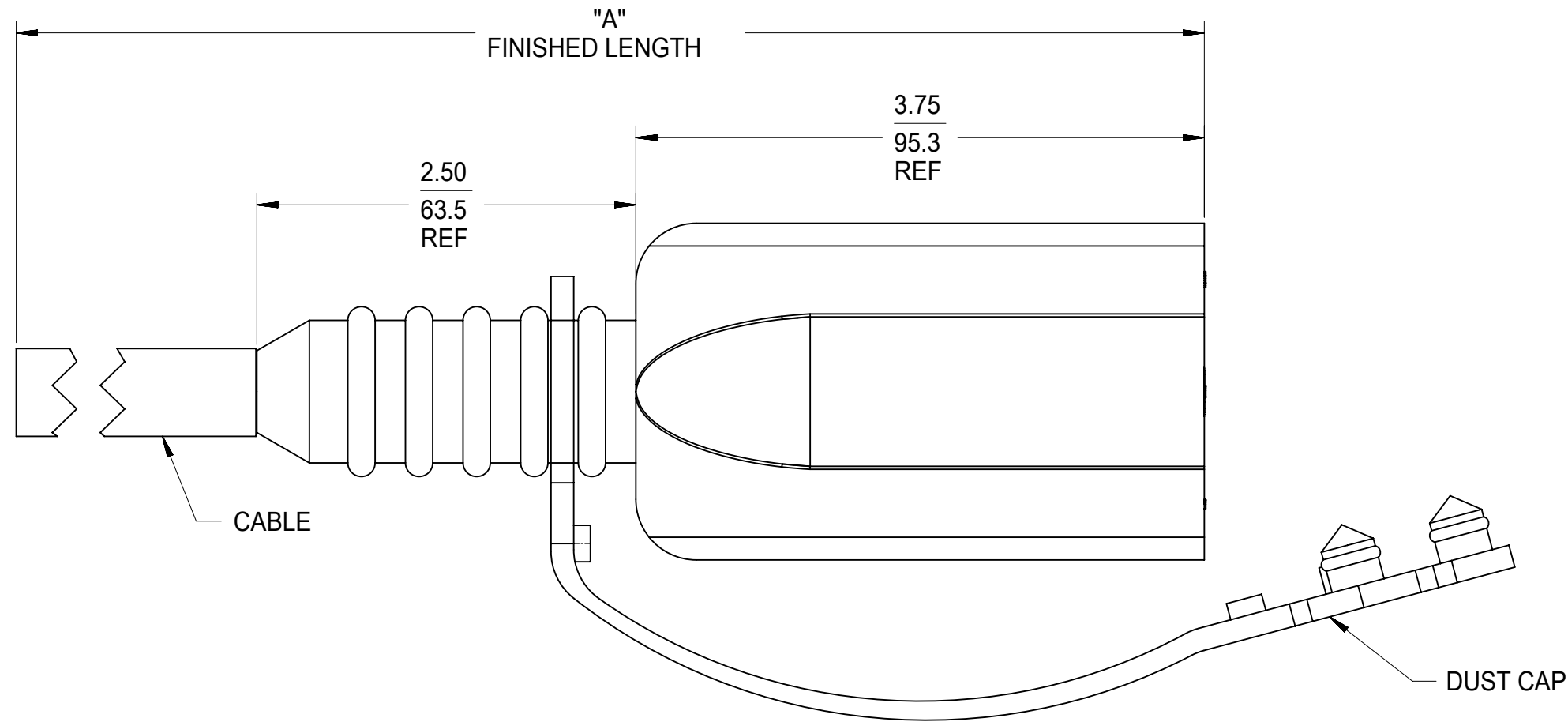
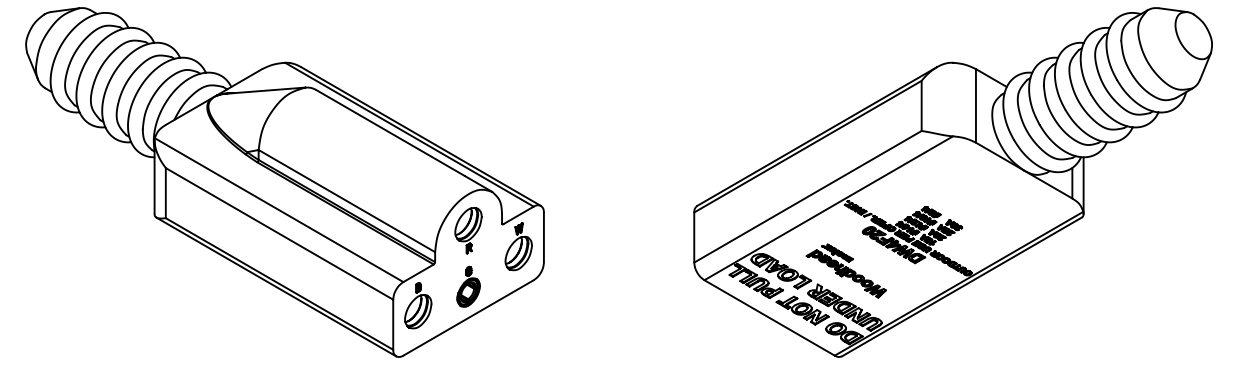


ASSEMBLY MATERIAL NUMBER	ENG. P/N	ASSEMBLY DESCRIPTION	"A" FINISHED LENGTH
1301500325	DW4F20	FEMALE OVERMOLD CABLE ASSEMBLY, #8/4	6 FT



- NOTES:
- 1) OVERMOLD MATERIAL: RUBBER (NEOPRENE OR CPE)
  - 2) TERMINALS: COPPER ALLOY
  - 3) CABLE JACKET MATERIAL: RUBBER (NEOPRENE OR CPE)
  - 4) CABLE IS MSHA LISTED.
  - 5) WARNING: DO NOT PULL UNDER LOAD.
  - 6) VOLTAGE RATING: 600 V MAX.
  - 7) CURRENT RATING:
    - 8AWG/4 CONDUCTOR - 30 AMPS
    - 10AWG/4 CONDUCTOR - 25 AMPS
    - 12AWG/4 CONDUCTOR - 20 AMPS
    - 14AWG/4 CONDUCTOR - 15 AMPS

THIS DRAWING CONTAINS INFORMATION THAT IS PROPRIETARY TO MOLEX ELECTRONIC TECHNOLOGIES, LLC AND SHOULD NOT BE USED WITHOUT WRITTEN PERMISSION													
DIMENSION UNITS	SCALE	CURRENT REV DESC: MIGRATE TO NX. UPDATE NOTE 1 AND 3											
INCH	NTS	<b>molex</b> FEMALE RECEPTACLE CABLE ASSEMBLY 15-30AMPS, #8 - #14AWG PRODUCT CUSTOMER DRAWING											
GENERAL TOLERANCES (UNLESS SPECIFIED)													
ANGULAR TOL	± 2.0°	EC NO:	615559	DOCUMENT NUMBER						DOC TYPE	DOC PART	REVISION	
4 PLACES	±	DRWN:	WLEUNG	2019/04/12	SD-130150-002						PSD	001	B1
3 PLACES	±	CHK'D:	DNGUYEN62	2019/04/22	MATERIAL NUMBER						CUSTOMER	SHEET NUMBER	
2 PLACES	±	APPR:	HKNEELAND	2019/04/23	SEE CHART						GENERAL MARKET	1 OF 1	
1 PLACE	± 0.03	INITIAL REVISION:		THIRD ANGLE PROJECTION									
0 PLACES	±	DRWN:	WLEUNG	2013/11/07	DRAWING	SERIES	130150	DRAWING					
DRAFT WHERE APPLICABLE MUST REMAIN WITHIN DIMENSIONS		APPR:		BWOODMAN	2013/12/27	B-SIZE							