

THIS DRAWING IS UNPUBLISHED.

RELEASED FOR PUBLICATION

20

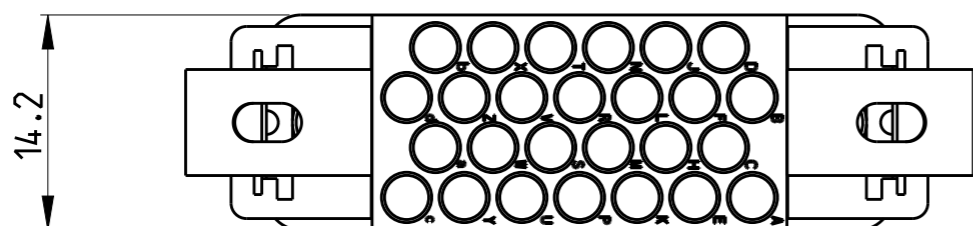
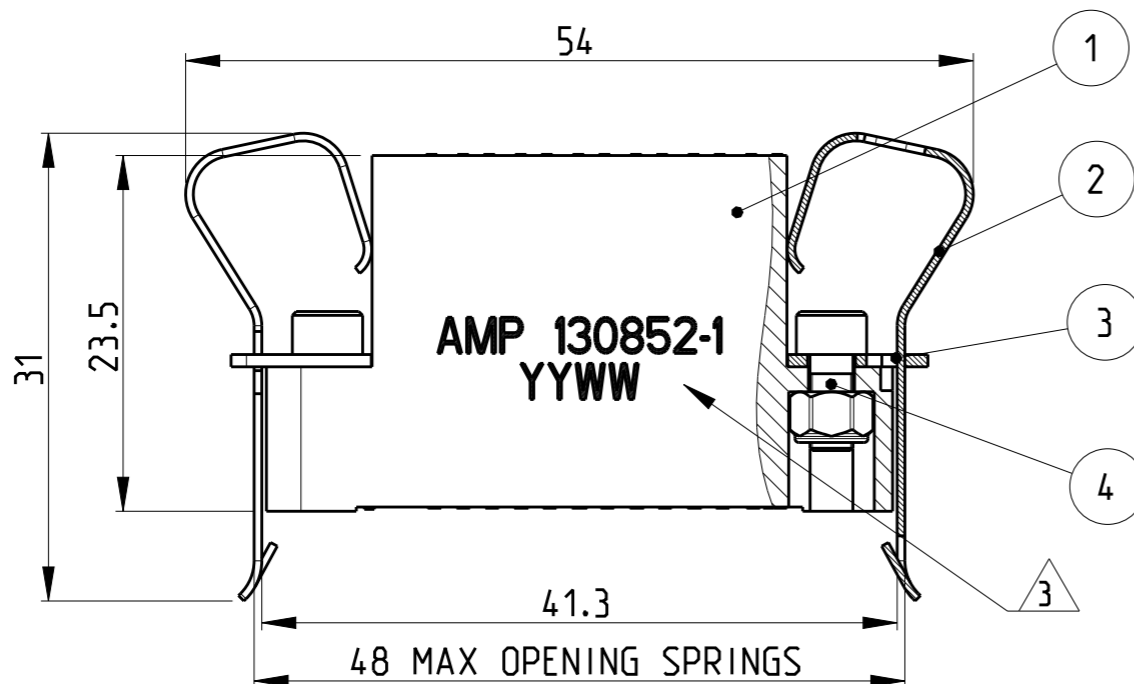
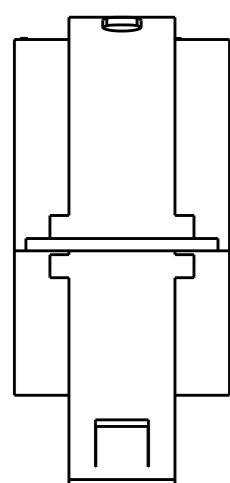
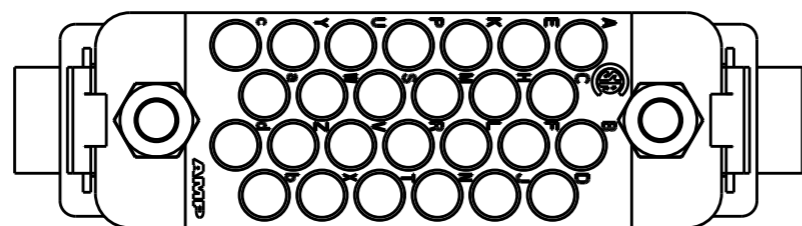
© COPYRIGHT 20 BY -

ALL RIGHTS RESERVED.

LOC F DIST 00

REVISIONS

P	LTR	DESCRIPTION	DATE	DWN	APVD
E		REDRAWN ON CAD	12SEP2012	TC	YP
F		ERROR CONTACT PN: 201568-1 WAS 200568-1	11OCT2012	TC	YP
G		ADDED NOTE 1	22MAR2019	LN	YP



- MATING PART: 130849-1.
- MATERIAL:  
HOUSING: PHENOLIC, COLOR BLACK  
CONTACTS: BRASS, GOLD PLATED
- MARKING:  
AMP, PART NUMBER (130852-1)  
DATE-CODE (YEAR, WEEK)

26	-	-	201568-1	IN A SEPARATE BAG	SOCKET CONTACT #16 (AWG 14)	-	
-	26	-	130743-1	IN A SEPARATE BAG	SOCKET CONTACT #16 (AWG 22-18)	-	
1	1	-	130852-1	WITHOUT CONTACT	GROUNDING CONNECTOR	-	
-	-	2	-	CONNECTOR SUPPLIED ASSEMBLED	FASTENER	4	
-	-	2	-		YOKE	3	
-	-	2	-		SPRING	2	
-	-	1	-		HOUSING 26 POS.	1	
130852-3	130852-2	130852-1		PART NUMBER	OBSERVATION	DESCRIPTION	ITEM

THIS DRAWING IS A CONTROLLED DOCUMENT.

DIMENSIONS:		TOLERANCES UNLESS OTHERWISE SPECIFIED:	
mm		0 PLC	±0.3
		1 PLC	±0.3
		2 PLC	±0.3
		3 PLC	±
		4 PLC	±
		ANGLES	±5°
MATERIAL -		FINISH -	

DWN	T. CORRIOU	12SEP2012
CHK	J. THUEZ	12SEP2012
APVD	Y. PETRONIN	12SEP2012
PRODUCT SPEC	-	
APPLICATION SPEC	-	
WEIGHT	-	
Customer Drawing		

NAME CONNECTOR, GROUNDING, 26 POS.			
SIZE	CAGE CODE	DRAWING NO	RESTRICTED TO
A3	00779	C-130852	-
SCALE 2:1		SHEET 1 OF 1	REV G