

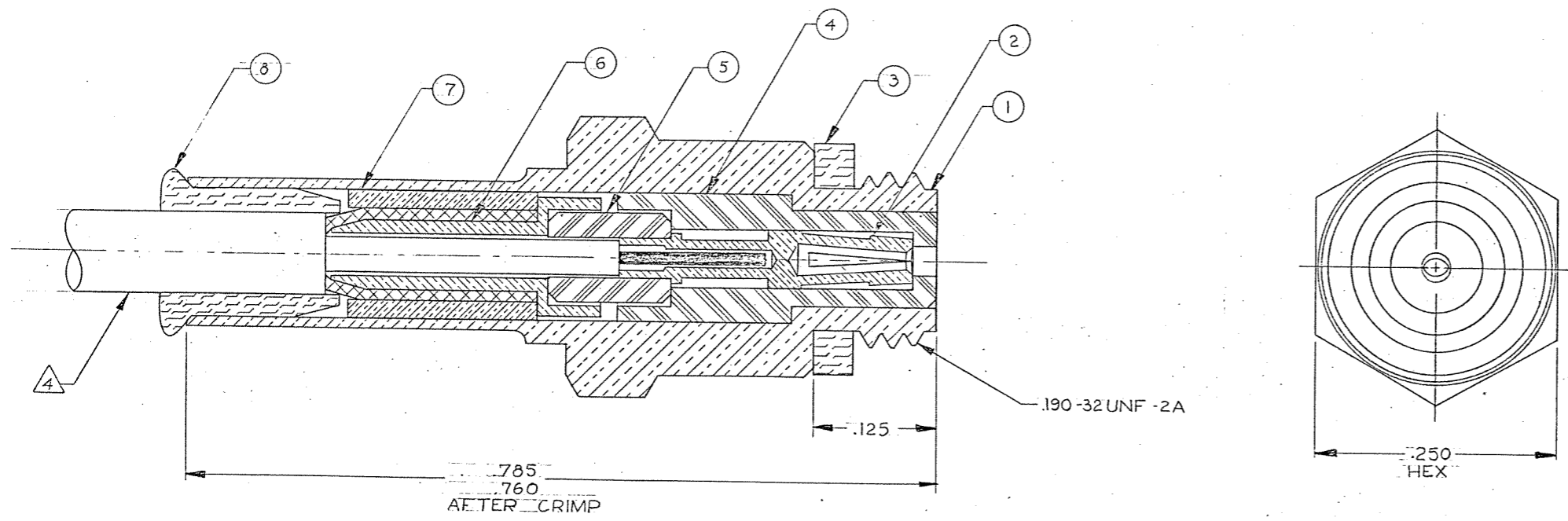
4

3

2

1

REVISIONS					
ZONE	LTR	ECN	DESCRIPTION	DATE	APPROVED
	L	25090	REV. & REDRAWN ORIGINAL RELEASE 8-8-63 BY D.B.D. & W.J.	7/24/80	<i>h8</i>
	M	38493	UPDATE REV. LETTER.	1-22-99	<i>ES</i>




Tyco Dwg 1467952
Micro P/N 131-0134-0001

NOTES: UNLESS OTHERWISE SPECIFIED

- 1. THIS CONNECTOR MATES WITH ALL 50 OHM GOLDEN CRIMP, CRIMP SILVER AND S-50 PLUGS AS LISTED IN MALCO CATALOG.
- 2. SEE RF-ASMB-8 FOR ASSEMBLY INSTRUCTIONS. SPECIAL TOOLS REQUIRED:
CONTACT CRIMP: 010-0134-0000 AND LOCATOR 001-0104-0000.
ALTERNATE TOOL 010-0065-0000 (NO LOCATOR REQUIRED)
HOUSING CRIMP: 010-0081-0000
- 3. ALL METAL PARTS ARE GOLD PLATED PER MIL-G-45204 TYPE II, GRADE C, CLASS I.
- 4. CABLE ACCEPTANCE DIMENSIONS: JACKET DIAMETER: .088 MAX
DIELECTRIC DIAMETER: .032-.039
INNER CONDUCTOR DIAMETER: .009-.020

FINISH	QTY REQD	CODE IDENT	PART OR IDENTIFYING NO.	DESCRIPTION	MATERIAL	ITEM
	1		003-0815-0001	SEALING SLEEVE	SILICONE RUBBER PER ZZ-R-765	8
3	1		003-0813-0002	MIDDLE CRIMP SLEEVE	LEADED COPPER	7
3	1		003-0814-0002	INNER CRIMP SLEEVE	BRASS PER QQ-B-626	6
	1		003-0811-0001	CABLE INSULATOR	TEFLON PER L-P-403	5
	1		003-0818-0001	HOUSING INSULATOR	TEFLON PER L-P-403	4
	1		003-0268-0001	GASKET	SILICONE RUBBER PER ZZ-R-765	3
3	1		003-0819-0002	SOCKET CONTACT	BERYLLIUM COPPER PER QQ-C-530	2
3	1		003-0817-0002	HOUSING JACK	BRASS PER QQ-B-626	1

PARTS LIST

UNLESS OTHERWISE SPECIFIED DIMENSIONS ARE IN INCHES TOLERANCES ARE: FRACTIONS DECIMALS ANGLES ± .XX ± ° ± .XXX ± .010		CONTRACT NO.		 MALCO A MICRODOT COMPANY, INC. 306 PASADENA AVE., SO. PASADENA, CALIF. 91030	
MATERIAL		APPROVALS		DATE	
NOTED		DRAWN <i>Cotol Brown</i>		3-25-80	
		CHECKED <i>CH</i>		7-22-80	
		PR. ENG. <i>Rogers</i>		7-23-80	
		APPD.			
FINISH		SIZE		CODE IDENT NO.	
NOTED		C		98278	
NEXT ASSY		DRAWING NO.		131-0134-0001	
USED ON		These drawings and specifications are the property of Microdot Inc., are issued in strict confidence and shall not be divulged, be re-produced or copied, or used as the basis for the manufacture or sale of any article without written permission of Microdot Inc.		PROD. CODE 941 CC JE CDM	