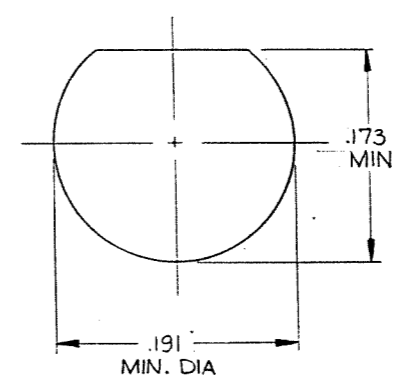
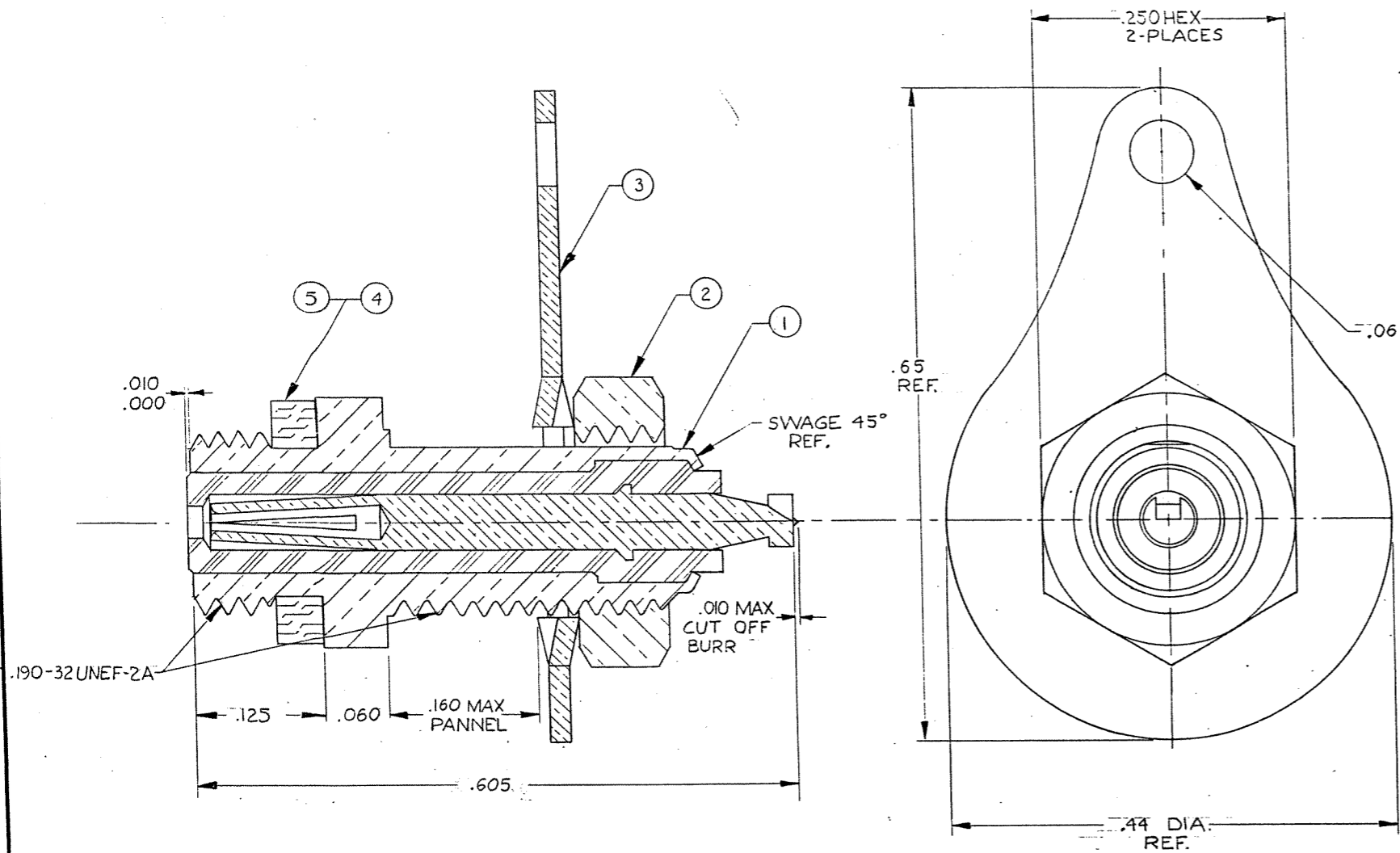


ZONE	LTR	ECN	DESCRIPTION	DATE	APPROVED
	F	25090	REV. & REDRAWN ORIGINAL ¹⁰ RELEASE 3-3-64 BY G.M & J.C.S	7/24/80	<i>RS</i>
	G	28937	ITEM 3 MAT'L WAS: PHOSPHOR BRONZE QQ-B-750	8/14/84	<i>RS</i>
	H	29639	0003-0011-0001 WAS: NEOPRENE	8/27/85	<i>MB</i>
	J	36834	ITEM 4, WAS 003-0011-0001	3-31-97	<i>RS</i>
	K	38714	UPDATE REV. LETTER	3-10-98	<i>RS</i>



NOTES:
 1. THIS CONNECTOR MATES WITH ALL 50 OHM MARC 131 PLUGS & ALL PLUGS IN SERIES: S-50 (MALCO CATALOG).
 2. GOLD PLATED PER MIL-G-45204, TYPE II, GRADE C, CLASS I.

	1	003-0268-0001	GASKET	SILICONE RUBBER PER ZZ-R-765	5	
	1	003-0268-0000	GASKET	SILICONE RUBBER, ZZ-R-765	4	
	1	003-0306-0002	LOCK LUG	# 425 BRONZE ALLOY	3	
	1	003-0009-0002	PANEL NUT	BRASS PER QQ-B-626	2	
	1	003-1477-0001	HOUSING SUBASSEMBLY		1	
			PART OR IDENTIFYING NO.	DESCRIPTION	MATERIAL	ITEM

UNLESS OTHERWISE SPECIFIED DIMENSIONS ARE IN INCHES TOLERANCES ARE:			CONTRACT NO.		MALCO A MICRODOT COMPANY, INC. 306 PASADENA AVE., SO. PASADENA, CALIF. 91030	PROD. CODE 941 CODE CDM	
FRACTIONS	DECIMALS	ANGLES	APPROVALS	DATE			
±	.XX ±	±	DRAWN <i>Costel Ponce</i>	4-24-80	RECEPTACLE, BULKHEAD, GOLDEN CRIMP, 50 OHM		
	.XXX ± .010		CHECKED <i>SPH</i>	7-22-80			
			PR. ENG. <i>Agustine</i>	7-23-80			
			APPD.				
MATERIAL			FINISH		SIZE	CODE IDENT NO.	DRAWING NO.
NOTED			NOTED		C	98278	131-0138-000*
NEXT ASSY	USED ON	APPLICATION		SCALE 10X1		SHEET 1 OF 1	
		DO NOT SCALE DRAWING					

TYCO CUSTOMER DWG
7-1532149-2