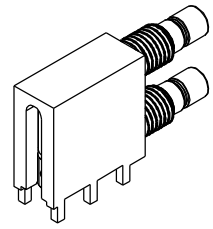
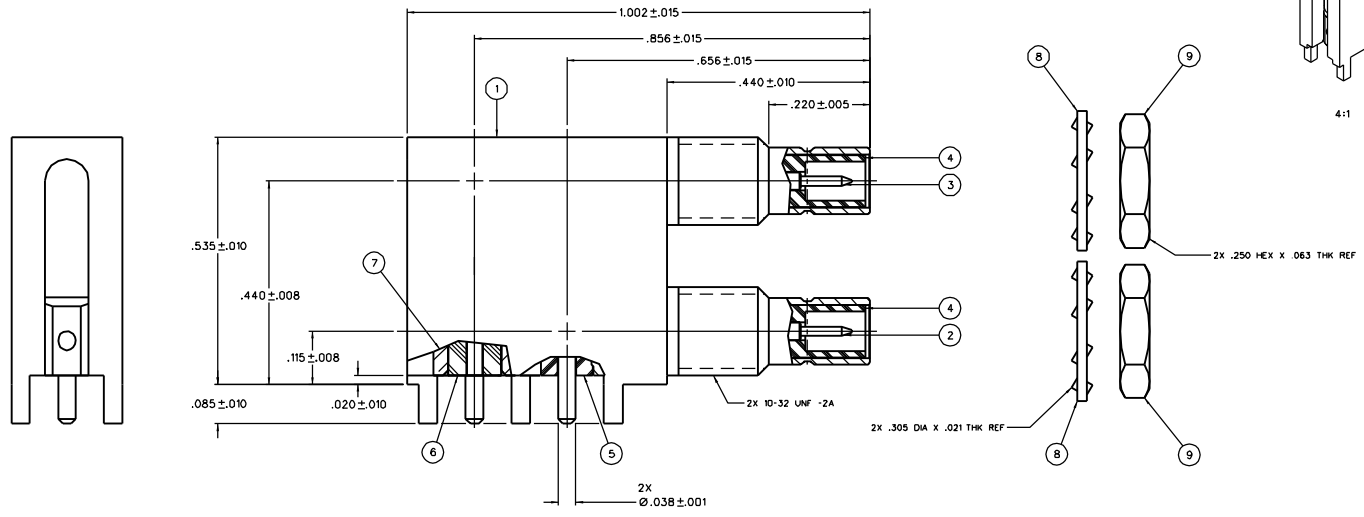


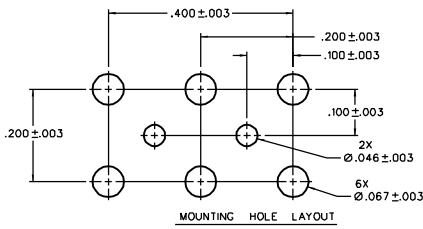
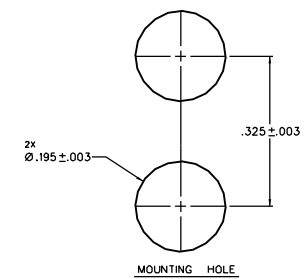
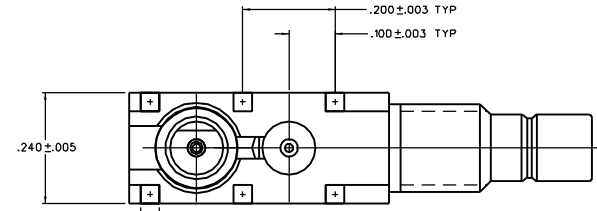
ITEM ① PART NUMBER 131-3701-571	ITEM ② BODY (ONE PIECE) BRASS GOLD PL .00003 MIN OVER NICKEL PL .00005 MIN OVER COPPER PL .00005 MIN	ITEM ③ UPPER CONTACT (ONE PIECE) BRASS GOLD PL .00003 MIN OVER NICKEL PL .00005 MIN OVER COPPER PL .00005 MIN	ITEM ④ LOWER CONTACT (ONE PIECE) BRASS GOLD PL .00003 MIN OVER NICKEL PL .00005 MIN OVER COPPER PL .00005 MIN	ITEM ⑤ FRONT INSULATOR TEFLON	ITEM ⑥ BACK LOWER INSULATOR TEFLON	ITEM ⑦ SLEEVE BRASS GOLD PL .00001 MIN OVER NICKEL PL .00005 MIN OVER COPPER PL .00005 MIN	ITEM ⑧ 2X LOCKWASHER PHOSPHOR BRONZE GOLD PL .00001 MIN OVER NICKEL PL .00005 MIN OVER COPPER PL .00005 MIN	ITEM ⑨ 2X NUT BRASS GOLD PL .00001 MIN OVER NICKEL PL .00005 MIN OVER COPPER PL .00005 MIN
---------------------------------------	---	--	--	-------------------------------------	--	---	--	---



4:1



NOTES:
1. SPECIFICATIONS:
IMPEDANCE: 50 OHMS
FREQUENCY RANGE: 0-4 GHz
VSWR: NOT APPLICABLE
RETURN LOSS: 35dB VWRMS MAX AT SEA LEVEL
WERRING VOLTAGE: 355 VWRMS MAX AT SEA LEVEL
DIELECTRIC WITHSTANDING VOLTAGE: 1000 VWRMS MIN AT SEA LEVEL
INSULATION RESISTANCE: 1000 MEGOHM MIN
CONTACT RESISTANCE:
CENTER CONTACT - INITIAL 5 MILLIOHM MAX, AFTER ENVIRONMENTAL 9 MILLIOHM MAX
OUTER CONDUCTOR - INITIAL 1 MILLIOHM MAX, AFTER ENVIRONMENTAL 1.5 MILLIOHM MAX
BRAID TO BODY - NOT APPLICABLE
CORONA LEVEL: NOT APPLICABLE
INSERTION LOSS: NOT APPLICABLE
RF LEAKAGE: NOT APPLICABLE
RF HIGH POTENTIAL WITHSTANDING VOLTAGE: 600 VWRMS AT 4 AND 7 MHZ
MECHANICAL:
ENGAGE/DISENGAGE FORCE: INITIAL 14 LBS MAX, AFTER DURABILITY 14 LBS MAX ENGAGEMENT, 2 LBS MIN DISENGAGEMENT
MATING TORQUE: NOT APPLICABLE
COUPLING PROOF TORQUE: NOT APPLICABLE
COUPLING NUT RETENTION: NOT APPLICABLE
CONTACT RETENTION: 4 LBS MIN AXIAL FORCE
CABLE ACCEPTABILITY: NOT APPLICABLE
CABLE HEX CRIMP SIZE: NOT APPLICABLE
CABLE RETENTION: NOT APPLICABLE
DURABILITY: 500 CYCLES MIN
ENVIRONMENTAL:
(MEETS OR EXCEEDS THE APPLICABLE PARAGRAPH OF MIL-PRF-39012)
THERMAL SHOCK: MIL-STD-202, METHOD 107, CONDITION B
OPERATING TEMPERATURE: -55 DEG C TO 85 DEG C
CORROSION: MIL-STD-202, METHOD 101, CONDITION B
SHOCK: MIL-STD-202, METHOD 213, CONDITION B
VIBRATION: MIL-STD-202, METHOD 204, CONDITION B



CUSTOMER DRAWING

THIS DRAWING IS TO BE INTERPRETED FOR ASME Y 14.3M - 1994

"μSTATION"

COMPANY CONFIDENTIAL

TOLERANCE UNLESS OTHERWISE SPECIFIED	DRAWN BY RJB	DATE 12-10-07		P.O. Box 1732 Waseca, MN 56093 1-800-247-8256
DECIMALS XX	CHECKED BY RJB	DATE 12-12-07		
APPROVED BY TJS	DATE 12-12-07	TITLE JACK ASSEMBLY, RA PC MOUNT BULKHEAD, SMB, 2 POSITION		
RELEASE DATE 12-12-07	SHEET 2 OF 2	DRAWING NO. D - 131-3701-571/580		