

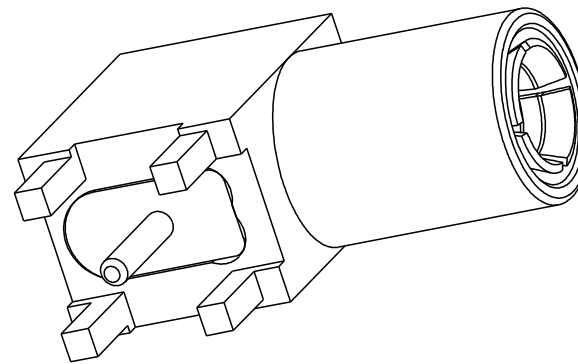
PART NUMBER	ITEM ① BODY	ITEM ② INTERFACE	ITEM ③ CONTACT	ITEM ④ INSULATOR	ITEM ⑤ INSULATOR
131-3801-391	BRASS GOLD PL .00001 MIN OVER NICKEL PL .00005 MIN OVER COPPER PL .00005 MIN	BERYLLIUM COPPER GOLD PL .00003 MIN OVER NICKEL PL .00005 MIN OVER COPPER PL .00005 MIN	BERYLLIUM COPPER GOLD PL .00003 MIN OVER NICKEL PL .00005 MIN OVER COPPER PL .00005 MIN	TEFLON	TEFLON
131-3801-396	BRASS NICKEL PL .0001 MIN OVER COPPER PL .00005 MIN	BERYLLIUM COPPER NICKEL PL .0001 MIN OVER COPPER PL .00005 MIN	BERYLLIUM COPPER GOLD PL .00003 MIN OVER NICKEL PL .00005 MIN OVER COPPER PL .00005 MIN	TEFLON	TEFLON

REV	ECO	DATE
1	INITIAL RELEASE	18JAN2020

NOTES:

1. ELECTRICAL SPECIFICATIONS:

- 1.1 IMPEDANCE: 50 OHMS NOMINAL
- 1.2 FREQUENCY RANGE: 0-4 GHz
- 1.3 VSWR: NOT APPLICABLE
- 1.4 WORKING VOLTAGE: 335 VRMS MAX AT SEA LEVEL
- 1.5 DIELECTRIC WITHSTANDING VOLTAGE: 1000 VRMS MIN AT SEA LEVEL
- 1.6 INSULATION RESISTANCE: 1000 MEGOHM MIN
- 1.7 CONTACT RESISTANCE:
  - 1.7.1 CENTER CONTACT - INTIAL 6.0 MILLIOHM MAX, AFTER ENVIRONMENTAL 8 MILLIOHM MAX
  - 1.7.2 OUTER CONDUCTOR - GOLD PLATED INITIAL 1 MILLIOHM MAX, AFTER ENVIRONMENTAL 1.5 MILLIOHM MAX, NICKEL PLATED INITIAL 2.5 MILLIOHM MAX, AFTER ENVIRONMENTAL 3.5 MILLIOHM MAX
  - 1.7.3 BRAID TO BODY - NOT APPLICABLE
- 1.8 CORONA LEVEL: NOT APPLICABLE
- 1.9 INSERTION LOSS: NOT APPLICABLE
- 1.10 RF LEAKAGE: NOT APPLICABLE
- 1.11 RF HIGH POTENTIAL WITHSTANDING VOLTAGE: 600 VRMS MIN AT 5 MHz

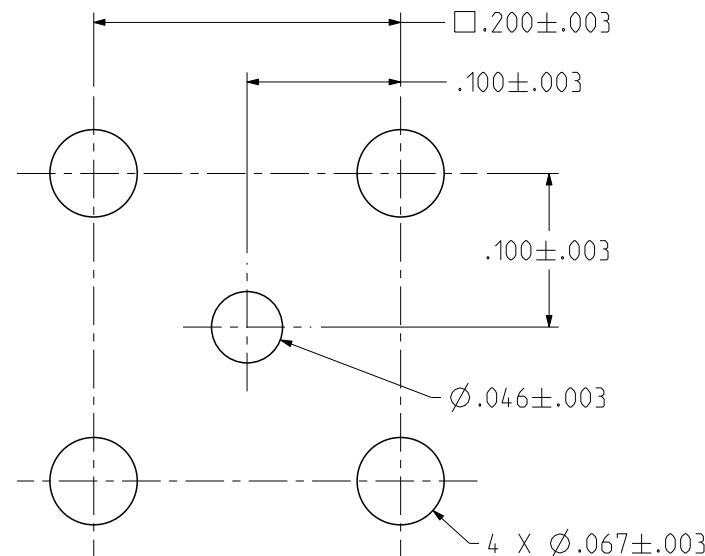


2. MECHANICAL SPECIFICATIONS:

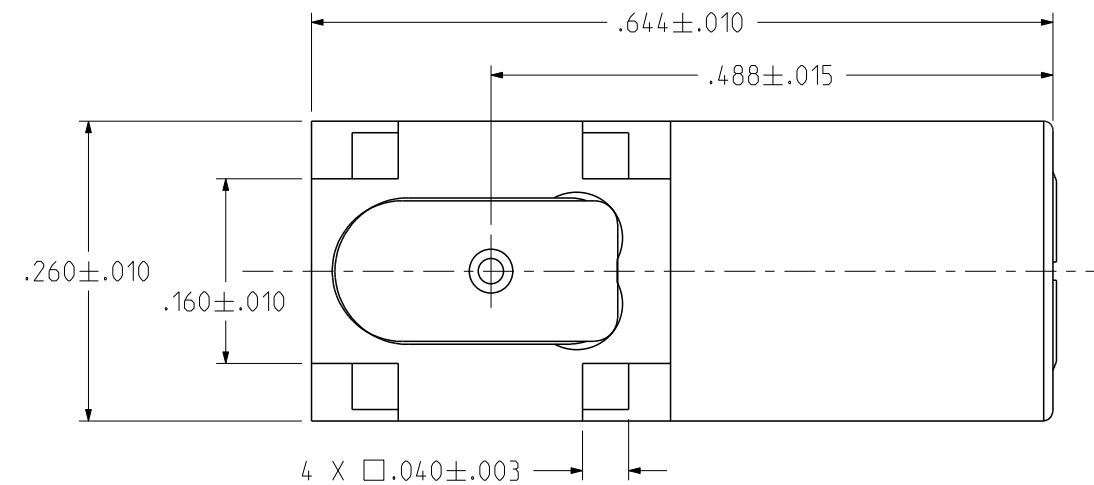
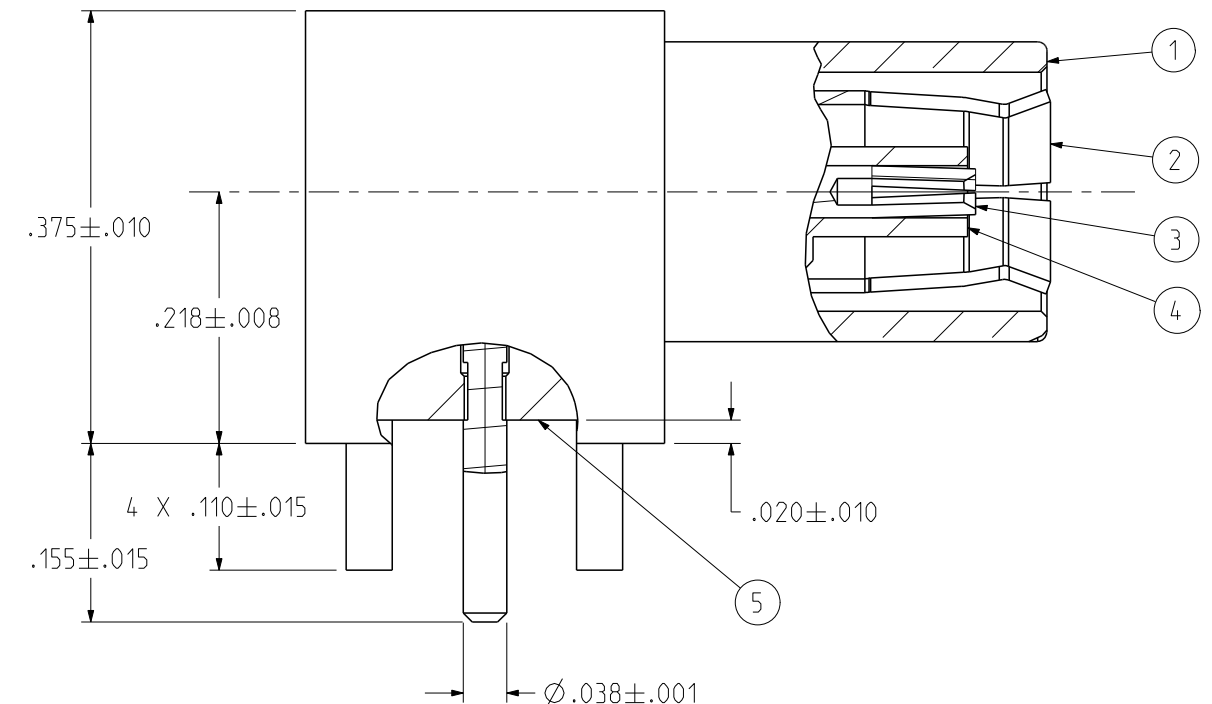
- 2.1 ENGAGE/DISTANCE FORCE: INITIAL 14 LBS MAX AFTER DURABILITY 14 LBS MAX ENGAGEMENT, 2 LBS MIN DISENGAGEMENT
- 2.2 MATING TORQUE: NOT APPLICABLE
- 2.3 COUPLING PROOF TORQUE: NOT APPLICABLE
- 2.4 COUPLING NUT RETENTION: NOT APPLICABLE
- 2.5 CONTACT RETENTION: 4 LBS MIN AXIAL FORCE
- 2.6 CABLE ACCEPTABILITY: NOT APPLICABLE
- 2.7 CABLE HEX CRIMP SIZE : NOT APPLICABLE
- 2.8 CABLE RETENTION: NOT APPLICABLE
- 2.9 DURABILITY: 500 CYCLES MIN

3. ENVIRONMENTAL:

- (MEETS OR EXCEEDS THE APPLICABLE PARAGRAPH OF MIL-PRF-39012)
- 3.1 THERMAL SHOCK: MIL-STD-202, METHOD 107, CONDITION B
  - 3.2 OPERATING TEMPERATURE: -65 °C TO 165 °C
  - 3.3 CORROSION: MIL-STD-202, METHOD 101, CONDITION B
  - 3.4 MECHANICAL SHOCK: MIL-STD-202, METHOD 213, CONDITION B
  - 3.5 VIBRATION: MIL-STD-202, METHOD 204, CONDITION B



MOUNTING HOLE LAYOUT



	Model No: 131-3801-391/399	Title: JOHNSON	
	This PROPRIETARY Document is property of Cinch Connectivity Solutions. It is confidential in nature, non-transferable, and issued with the clear understanding that it is not traced or copied without permission and is returnable upon demand. INTERPRET DRAWING IN ACCORDANCE WITH ASME Y14.5-2009.	RoHS2 <input checked="" type="checkbox"/> 2011/65/EU UNLESS OTHERWISE SPECIFIED UNITS: INCH .XX ±.02 .XXX ±.010 ANGLES ±2°	Cage Code 3RD ANGLE PROJECTION Drawn by: Jimmy Chen Date: 01/18/2020