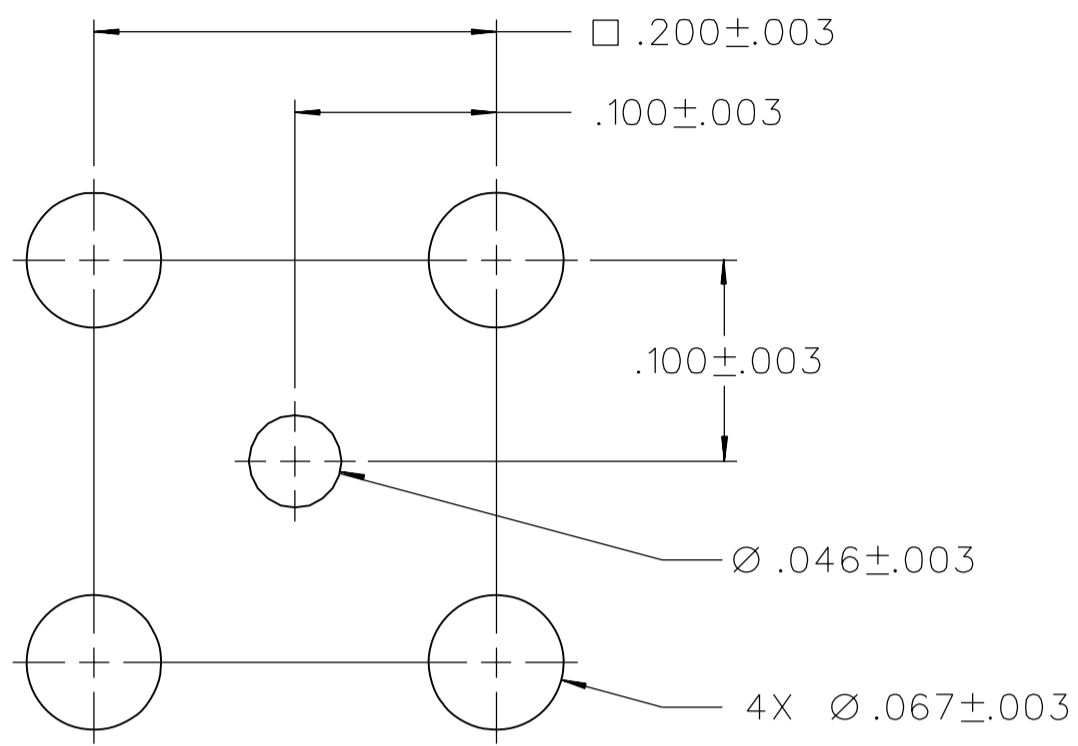


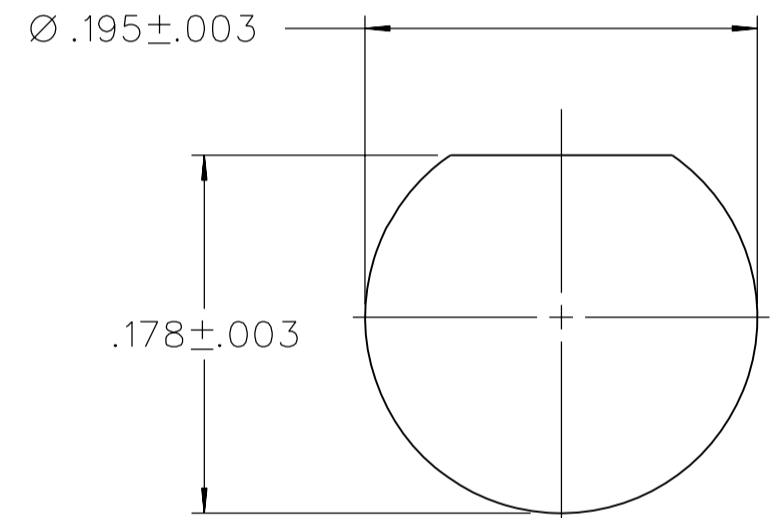
PART NUMBER	ITEM ① BODY	ITEM ② BASE	ITEM ③ CONTACT (ONE PIECE)	ITEM ④ BODY INSULATOR	ITEM ⑤ BASE INSULATOR	ITEM ⑥ WASHER	ITEM ⑦ NUT
131-6701-501	BRASS GOLD PL .00001 MIN OVER NICKEL PL .00005 MIN OVER COPPER PL .00005 MIN	BRASS GOLD PL .00001 MIN OVER NICKEL PL .00005 MIN OVER COPPER PL .00005 MIN	BRASS GOLD PL .00003 MIN OVER NICKEL PL .00005 MIN OVER COPPER PL .00005 MIN	TEFLON	TEFLON	PHOSPHOR BRONZE GOLD PL .00001 MIN OVER NICKEL PL .00005 MIN OVER COPPER PL .00005 MIN	BRASS GOLD PL .00001 MIN OVER NICKEL PL .00005 MIN OVER COPPER PL .00005 MIN
131-6701-502	BRASS GOLD PL .00001 MIN OVER NICKEL PL .00005 MIN OVER COPPER PL .00005 MIN	BRASS GOLD PL .00001 MIN OVER NICKEL PL .00005 MIN OVER COPPER PL .00005 MIN	BRASS GOLD PL .00003 MIN OVER NICKEL PL .00005 MIN OVER COPPER PL .00005 MIN	TEFLON	TEFLON		

DRAWING NO.
C - 131-6701-501/510

REVISIONS	
0	REVISIONS
ADDED: SHEET 2 OF 2	
2	4-2-91 MGR JHB 4-12-91 ECO 40319
CHANGED: RF HIGH POT 4 AND 7 MHZ WAS 5 MHZ	
3	9-2-92 RHA TCS RJB PAH 9-22-92 ECO 41184
ADDED: P/N 131-6701-502	
3a	11-20-96 RHA RJB BA 4-12-91 ECO 44408
VERSION UPDATE	
3b	3-26-98 RHA RJB BA 4-12-91 ECO 44921
UPDATED GRAPHICS ADDED: MATING INTERFACE NOTE ***** * REVISION NUMBER FOLLOWED BY AN ALPHA * * CHARACTER INDICATES DRAWING CLARIFICATION OR PART NUMBER ADDITION ONLY. * *****	
3c	9-12-02 RHA TCS RJB PAH 9-22-92 ECO 47774



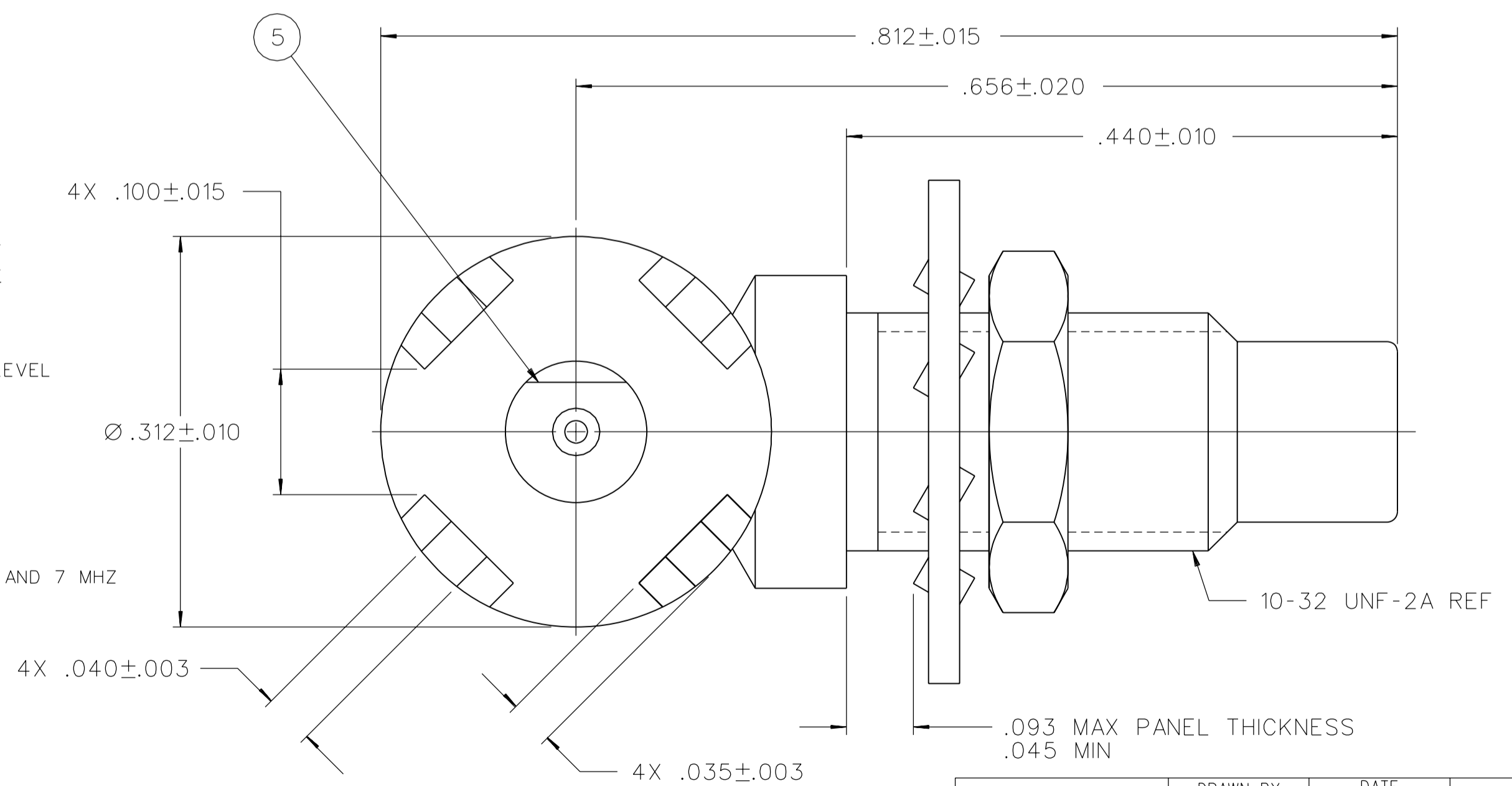
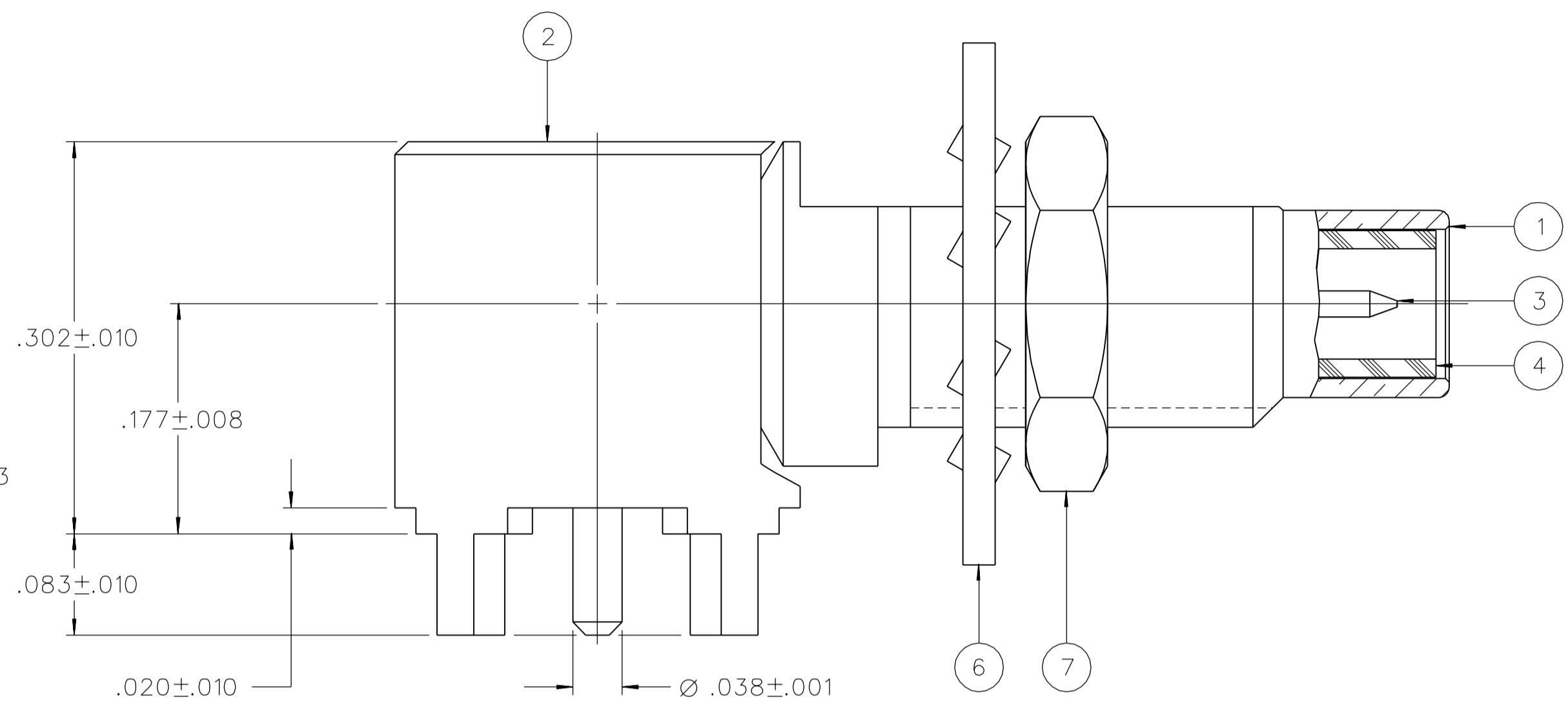
MOUNTING HOLE LAYOUT



MOUNTING HOLE

NOTES:

- SPECIFICATIONS:
 - IMPEDANCE: 50 OHMS
 - FREQUENCY RANGE: 0-10 GHz
 - VSWR: NOT APPLICABLE
 - WORKING VOLTAGE: 335 VRMS MAX AT SEA LEVEL
 - DIELECTRIC WITHSTANDING VOLTAGE: 1000 VRMS MIN AT SEA LEVEL
 - INSULATION RESISTANCE: 1000 MEGOHM MIN
 - CONTACT RESISTANCE:
 - CENTER CONTACT - INITIAL 6 MILLIOHM MAX, AFTER ENVIRONMENTAL 8 MILLIOHM MAX
 - OUTER CONDUCTOR - INITIAL 1 MILLIOHM MAX, AFTER ENVIRONMENTAL NOT APPLICABLE
 - BRAID TO BODY - NOT APPLICABLE
 - CORONA LEVEL: NOT APPLICABLE
 - INSERTION LOSS: NOT APPLICABLE
 - RF LEAKAGE: NOT APPLICABLE
 - RF HIGH POTENTIAL WITHSTANDING VOLTAGE: 600 VRMS AT 4 AND 7 MHZ
- MECHANICAL:
 - MATING INTERFACE: PER MIL-STD-348, SMC SERIES
 - ENGAGE/DISENGAGE TORQUE: 16 INCH-OUNCES MAX
 - MATING TORQUE: 30-50 INCH-OUNCES
 - COUPLING PROOF TORQUE: NOT APPLICABLE
 - COUPLING NUT RETENSION: NOT APPLICABLE
 - CONTACT RETENSION: 4 LBS MIN AXIAL FORCE
 - CABLE ACCEPTABILITY: NOT APPLICABLE
 - CABLE HEX CRIMP SIZE: NOT APPLICABLE
 - CABLE RETENTION: NOT APPLICABLE
 - DURABILITY: 500 CYCLES MIN
- ENVIRONMENTAL:
 - (MEETS OR EXCEEDS THE APPLICABLE PARAGRAPH OF MIL-PRF-39012)
 - THERMAL SHOCK: MIL-STD-202, METHOD 107, CONDITION B
 - OPERATING TEMPERATURE: -65 DEG C TO 165 DEG C
 - CORROSION: MIL-STD-202, METHOD 101, CONDITION B
 - SHOCK: MIL-STD-202, METHOD 213, CONDITION C
 - VIBRATION: MIL-STD-202, METHOD 204, CONDITION D



CUSTOMER DRAWING

THIS DRAWING TO BE INTERPRETED PER ASME Y 14.5M - 1994

"μSTATION"

COMPANY CONFIDENTIAL

TOLERANCE UNLESS OTHERWISE SPECIFIED		DRAWN BY	DATE
DECIMALS	mm	M.G. ROOT (EJ)	4-2-91 (2-5-90)
.XX		CHECKED BY	DATE
.XXX		APPROVED BY	DATE
MATL		RELEASE DATE	9-22-92
FINISH		U/M	INCH
		SCALE	10:1

Connectivity Solutions
P.O. Box 1732
Waseca, MN 56093
1-800-247-8256

EMERSON
Network Power

TITLE
JACK ASSEMBLY
RA PC MOUNT BULKHEAD
SMC

SHEET 2 OF 2
DRAWING NO. C - 131-6701-501/510