

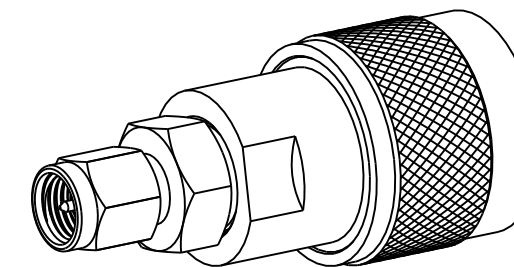
NOTES:

1. MATERIALS AND FINISHES:
 BODIES & CONTACTS - BeCu, GOLD PLATING
 INSULATOR - STYCAST
 COUPLING NUT : 3.5 MM PLUG - BeCu, GOLD PLATING
 TYPE N PLUG - STAINLESS STEEL, PASSIVATE
 RETAINING RING - BeCu
2. ELECTRICAL:
 A. IMPEDANCE: 50 OHM
3. PACKAGING:
 A. QUANTITY: SINGLE PACK
 B. MARKING: BAG TO BE MARKED
 "AMPHENOL RF, 131-7017-1000, AND DATE CODE"

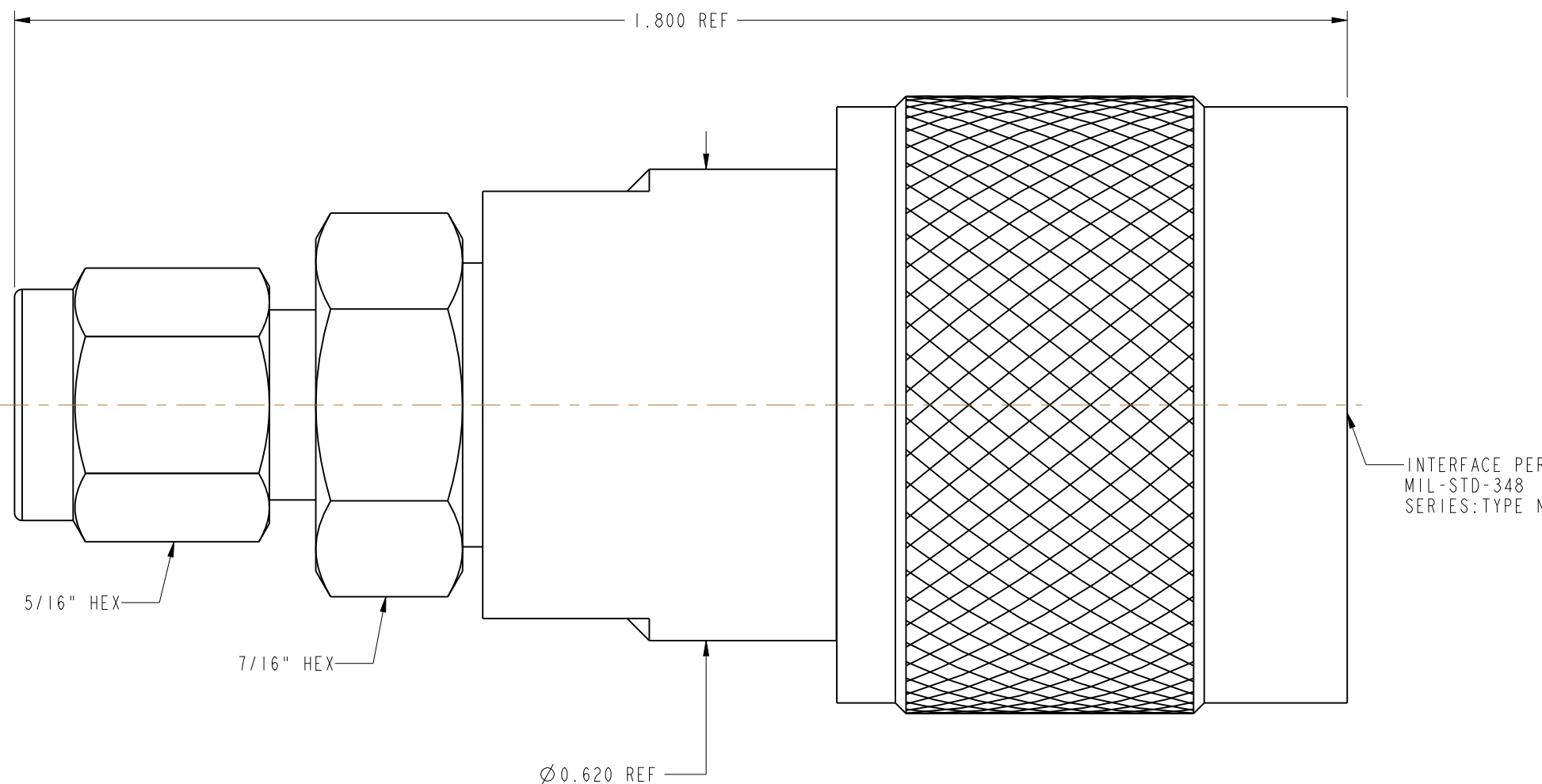
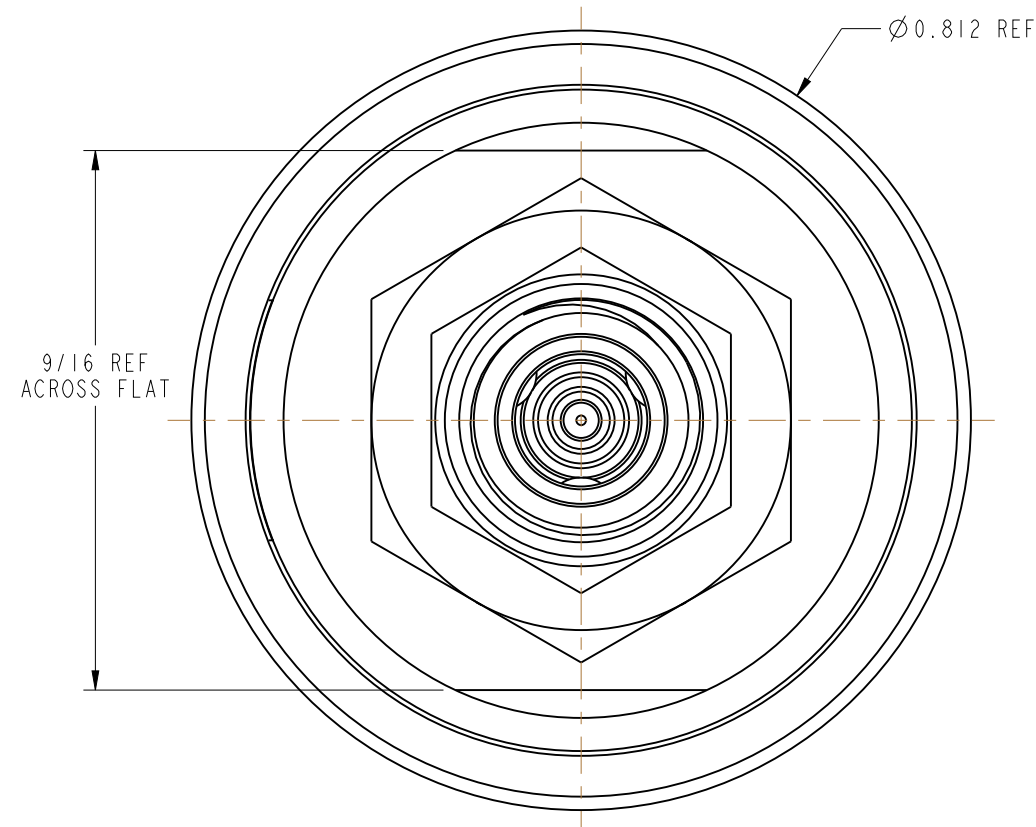
THIRD ANGLE PROJ.

REVISIONS

REV	DESCRIPTION	DATE	ECO	APPR
--	RELEASE TO MFG.	-----	-----	-----
R	REDRAWN IN PRO-E, ADD COD	2/24/14	49780	AAP



SCALE 1.500



CUSTOMER OUTLINE DRAWING

ALL OTHER SHEETS ARE FOR INTERNAL USE ONLY

UNLESS OTHERWISE SPECIFIED, DIMENSIONS ARE IN INCHES AND TOLERANCES ARE: 2 PLACE DECIMAL 3 PLACE DECIMAL ANGLES $\pm .015$ (0,381 mm) $\pm .005$ (0,127 mm) $\pm 1^\circ$	MATERIAL	DRAWN	DATE	TITLE APC-N MALE TO 3.5 MM MALE ADAPTER		Amphenol RF www.amphenolrf.com	
	SEE NOTES	A ARUN PRABU	04-Nov-13				
	REFERENCE	APPROVED	DATE	SCALE: 5.0:1.0		DRAWING NO.131-7017-1000	
	EAR 111-1540-963810-65 AGILENT # 1250-1743-1	K. CAPOZZI	2/21/14	SHEET 2 OF 2		ITEM NO.131-7017-1000	
FINISH	CAD FILE		DWG SIZE	REV	PART NO.131-7017-1000		
			B	R			

NOTICE - These drawings, specifications, or other data (1) are, and remain the property of Amphenol corp. (2) must be returned upon request; and (3) are confidential and not to be disclosed to any person other than those to whom they are given by Amphenol Corp. the furnishing of these drawings, specifications, or other data by Amphenol Corp., or to any other person to anyone for any purpose is not to be regarded by implication or otherwise in any manner licensing, granting rights to permitting such holder or any other person to manufacture, use or sell any product, process or design, patented or otherwise, that may in any way be related to or disclosed by said drawings, specifications, or other data.