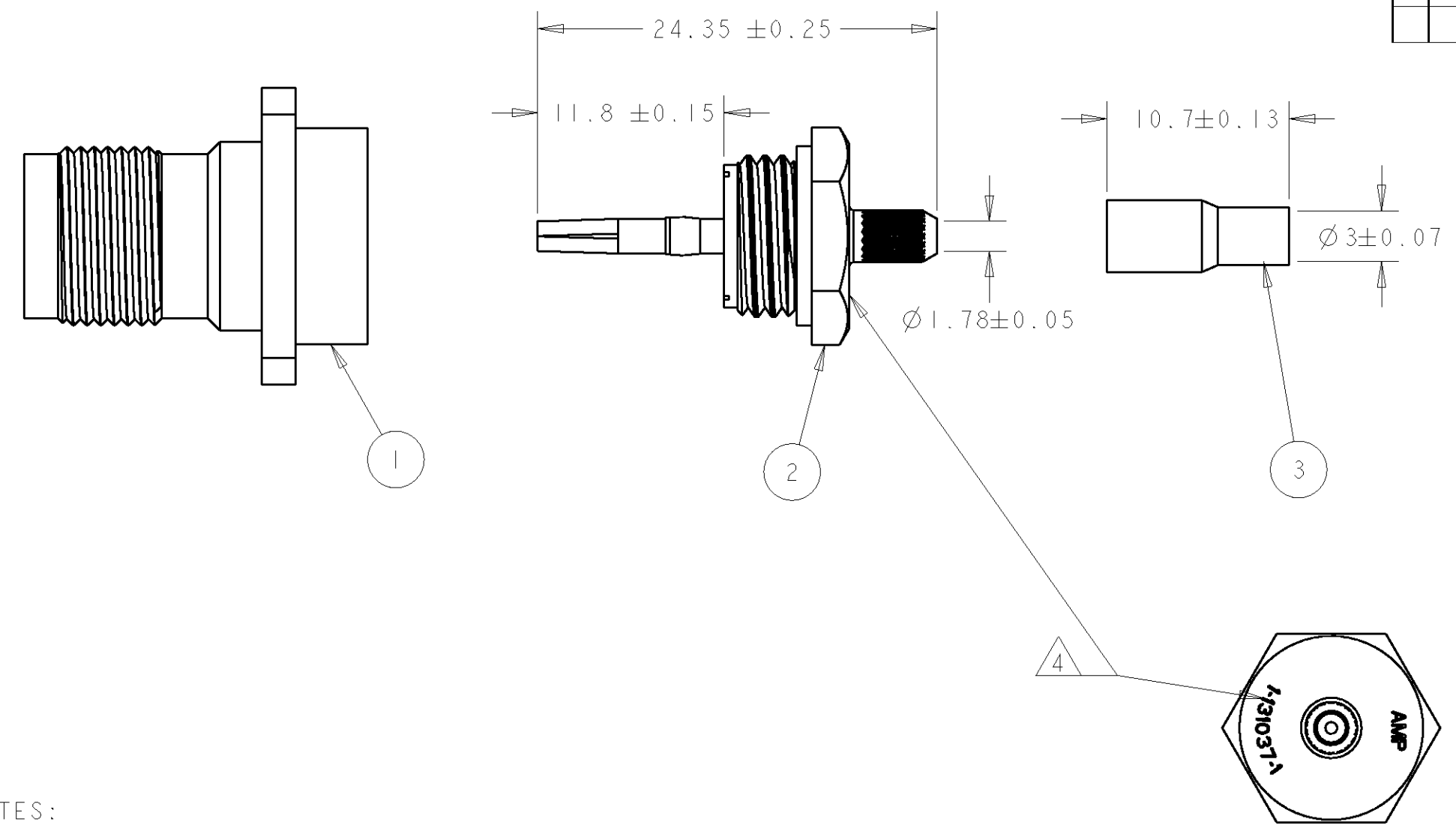
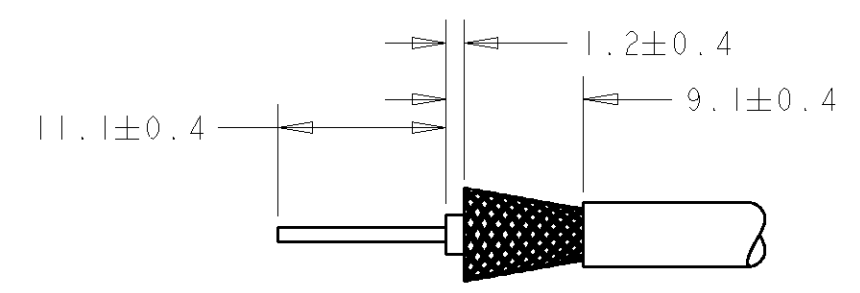


THIS DRAWING IS UNPUBLISHED. RELEASED FOR PUBLICATION 20  
 © COPYRIGHT 20 BY TYCO ELECTRONICS CORPORATION. ALL RIGHTS RESERVED.

LOC	DIST	REVISIONS			
P	LTR	DESCRIPTION	DATE	DWN	APVD
B	E	A	FIRST ISSUE	18/06/08	MJG JA



RECOMMENDED CABLE PREPARATION  
 DENUDAGE RECOMMANDE



- NOTES:
- FOR USE WITH RG174, RG188, KX3 & KX22 CABLE  
 UTILISER AVEC CABLE RG174, RG188, KX3, KX22
  - CRIMP WITH HAND TOOL Pt No 476408 OR 69710-1 + INSET 476410  
 PINCE A SERTIR REF: 476408 ou 69710-1 + MATRICE 476410
  - INSTRUCTION SHEET 408-1799-1  
 INSTRUCTION DE SERTISSAGE: 408-1799-1
- △ 4 PART NO FOR CONTACT SUB ASSEMBLY (1-131037-1)

1	FERRULE	3
1	CONTACT ASSY	2
1	PANEL JACK ASSY	1
131197	QTY -1	DESCRIPTION
		ITEM

<small>THIS DRAWING IS A CONTROLLED DOCUMENT FOR TYCO ELECTRONICS CORPORATION          IT IS SUBJECT TO CHANGE AND THE CONTROLLING ENGINEERING ORGANIZATION          SHOULD BE CONTACTED FOR THE LATEST REVISION.</small>		DWN M.GREENER 18JUN2008 CHK J.AMBROSE 18JUN2008 APVD J.AMBROSE 18JUN2008		Tyco Electronics UK Ltd. Bideford, North Devon, EX39 4HE	
DIMENSIONS: mm		TOLERANCES UNLESS OTHERWISE SPECIFIED: 0 PLC ±0.5 1 PLC ±0.5 2 PLC ±0.5 3 PLC ±0.5 4 PLC ±0.5 ANGLES ±0.5		NAME PANEL JACK ASSEMBLY TNC SERIES	
MATERIAL FINISH -		PRODUCT SPEC 108-12001		SIZE A300779	
CUSTOMER DRAWING		APPLICATION SPEC -		DRAWING NO C-131197	
WEIGHT -		RESTRICTED TO		SCALE NTS SHEET 1 OF 1 REV A	