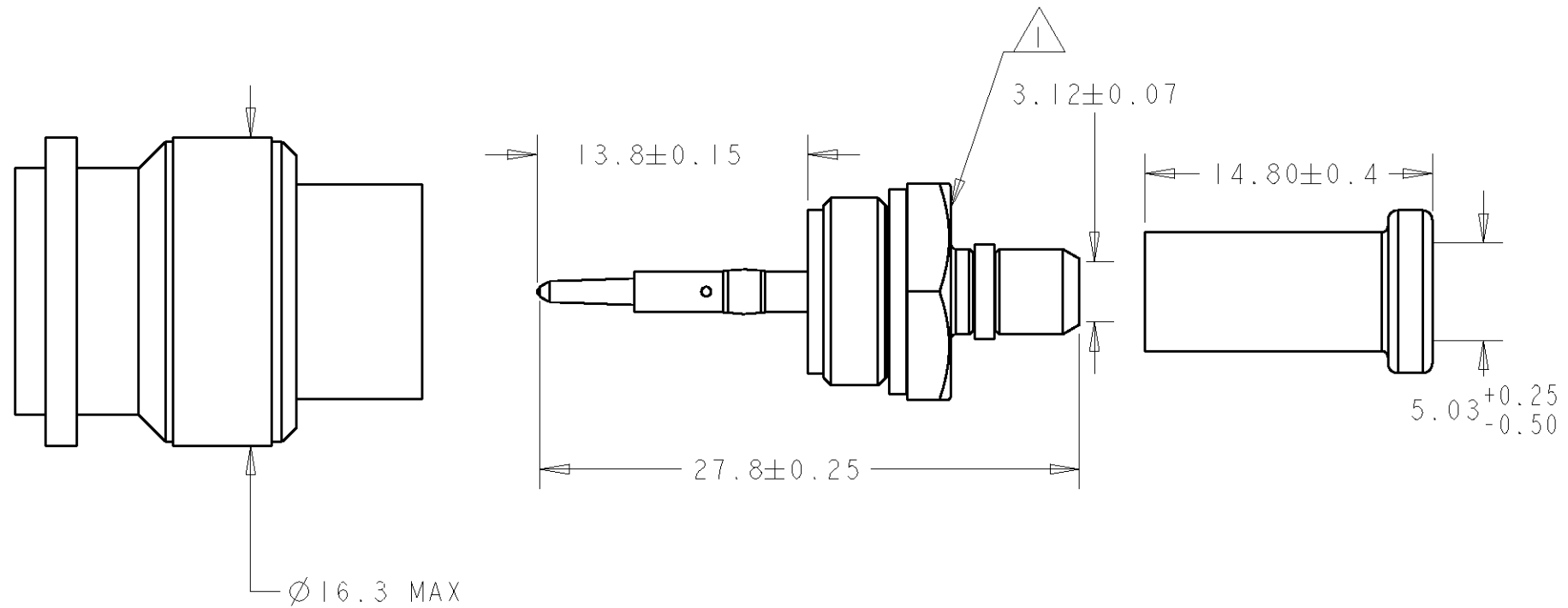
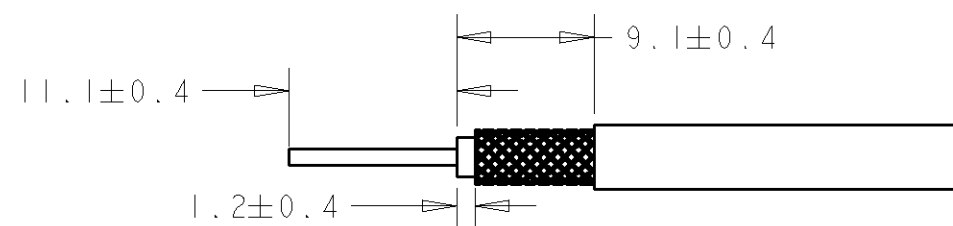


THIS DRAWING IS UNPUBLISHED. RELEASED FOR PUBLICATION 20
 © COPYRIGHT 20 BY TYCO ELECTRONICS CORPORATION. ALL RIGHTS RESERVED.

LOC	DIST	REVISIONS					
		P	LTR	DESCRIPTION	DATE	DWN	APVD
B	E		B	ECR-08-031800	15/12/08	MJG	JA



RECOMENDED CABLE PREPARATION



NOTES;

- 1. MARK PART NO "131223-2" ON INDICATED SURFACE
- 2. FOR USE ON CABLE KX23 & RG 400/U
- 3. CRIMP WITH HAND TOOL 69376-2
- 4. PRODUCT WEIGHT APPROX 16g

<small>THIS DRAWING IS A CONTROLLED DOCUMENT FOR TYCO ELECTRONICS CORPORATION IT IS SUBJECT TO CHANGE AND THE CONTROLLING ENGINEERING ORGANIZATION SHOULD BE CONTACTED FOR THE LATEST REVISION.</small>		DWN M.GREENER 15DEC2008 CHK J.AMBROSE 15DEC2008 APVD J.AMBROSE 15DEC2008	Tyco Electronics UK Ltd. Bideford, North Devon, EX39 4HE
DIMENSIONS: mm 	TOLERANCES UNLESS OTHERWISE SPECIFIED: 0 PLC ±0.5 1 PLC ±0.5 2 PLC ±0.5 3 PLC ±0.5 4 PLC ±0.5 ANGLES ±- ±2	PRODUCT SPEC - APPLICATION SPEC - WEIGHT -	NAME TNC SERIES PLUG ASSY KX23, RG400U CABLE
MATERIAL	FINISH -	CUSTOMER DRAWING	SIZE A3 CAGE CODE 00779 DRAWING NO C-131232 RESTRICTED TO -
		SCALE 2:1	SHEET 1 OF 1 REV B