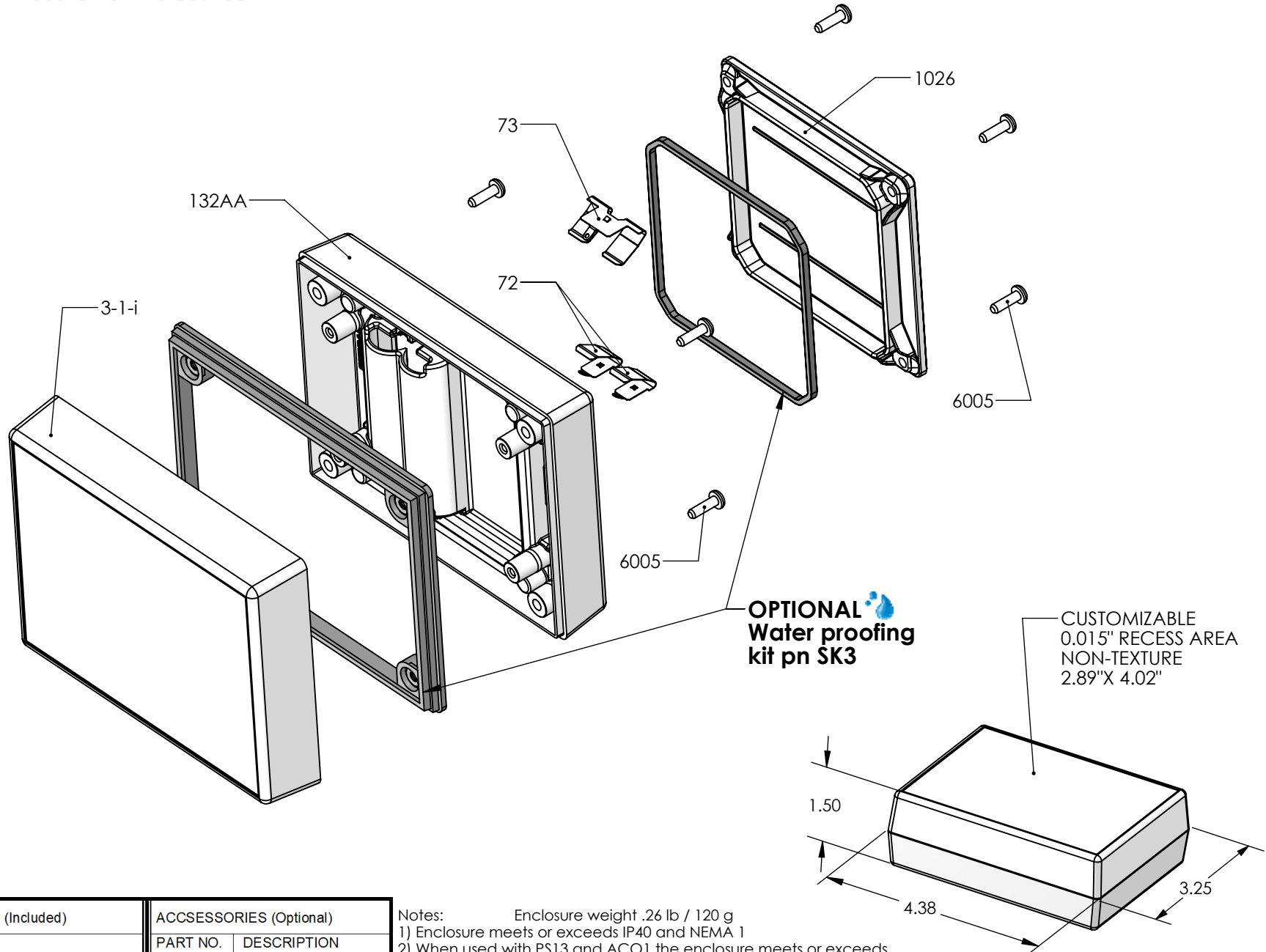


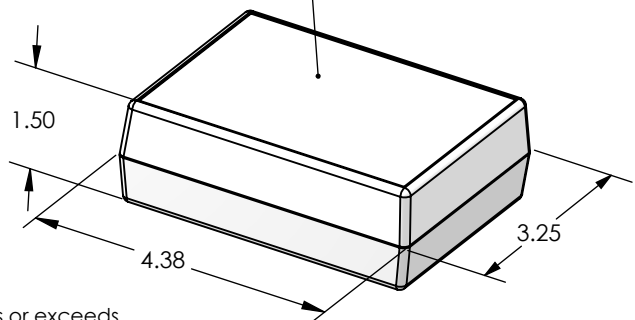
# SERPAC 131i2AA (exploded isometric)

Electronic Enclosures



PART NO.	DESCRIPTION (Included)	ACCESSORIES (Optional)
3-1-i	Top	
132AA	2AA Bottom	PART NO. DESCRIPTION
1026	Access Door	50 Non-skid Feet
6005	#4X3/8" Self-Tapping Screw (8)	SK3 Seal Kit for 13X
73	Double Battery Contact	
72	Single Battery Contact (2)	

Notes: Enclosure weight .26 lb / 120 g  
 1) Enclosure meets or exceeds IP40 and NEMA 1  
 2) When used with PS13 and ACO1 the enclosure meets or exceeds IP 67 and NEMA 4X, 12 and 13 MIL-STD-810G 506.5 (.02 lb / 10g)  
 3) Circuit Board drawings can be download at: <https://serpac.com/accessories/circuit-boards.aspx>  
 4) All components are RoHS Compliant.



ALL DIMENSIONS ARE ± .010" 11/17/2021 (1 of 3)  
 2009 Wright Ave. La Verne, CA 91750  
 Ph. (626) 331-0517 Fx. (626) 331-8584 serpac.com

# SERPAC 131i2AA

Electronic Enclosures

