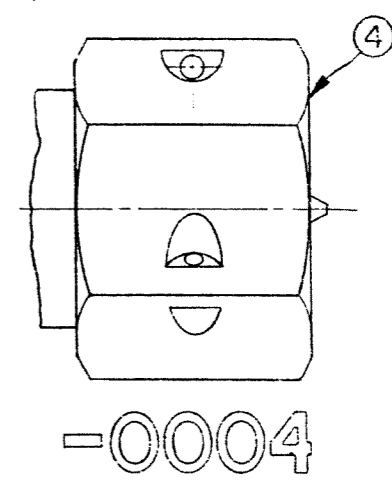
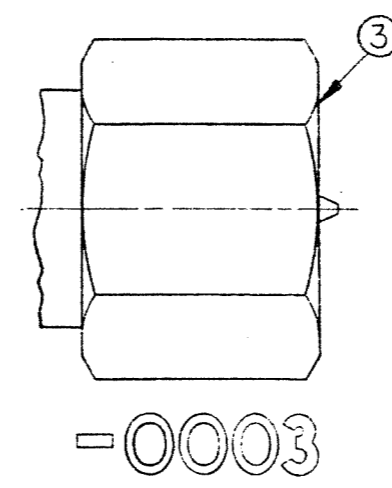
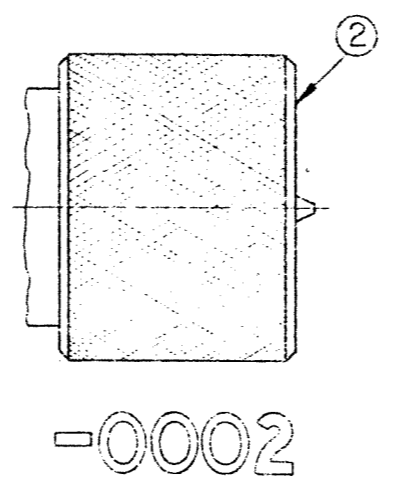
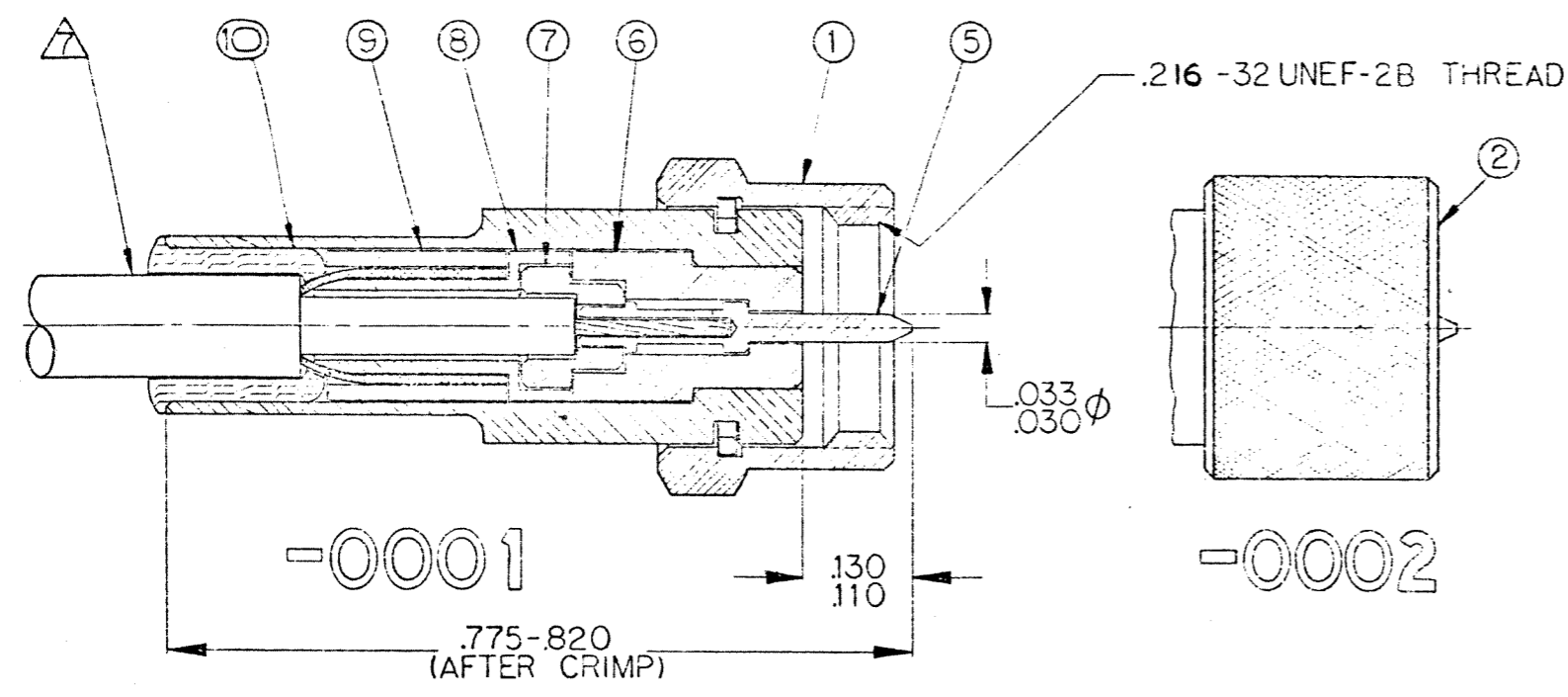


REVISIONS					
ZONE	LTR	ECN	DESCRIPTION	DATE	APPROVED
J		23301	REVISED & REDRAWN	11/10	[Signature]
K		24192	NOTE 2 WAS: ... ASSY TOOL REQ'D: 010-0065-0000 OR 010-0134-0000 FOR CONTACT, 010-0082-0000 FOR HOUSING NOTE A WAS: ... CENTER CONDUCTOR. 5-179 Chan	7/11/79	[Signature]



NOTES: UNLESS OTHERWISE SPECIFIED

- THIS CONNECTOR MATES WITH ALL 70Ω GOLDEN CRIMP, CRIMP SILVER, AND S-70 JACKS & RECEPTACLES AS LISTED IN 'MALCO' CATALOG.
- SEE RF-ASMB-8 ASSY INSTRUCTIONS. SPECIAL TOOL REQUIRED: CONTACT CRIMP: 010-0134-0000 & LOCATOR 001-0104-0000. ALTERNATE TOOL: 010-0065-0000 (NO LOCATOR REQUIRED) HOUSING CRIMP: 010-0082-0000.
- HOUSING, NUT, CONTACT, INNER SLEEVE & MIDDLE SLEEVE: GOLD PLATE PER MIL-G-45204, TYPE II, GRADE C, CLASS 1.
- DELETED
- COUPLING NUT HAS SAFETY WIRE HOLES WHICH ACCEPT .021 DIA. WIRE.
- FOR ELECTRICAL, MECHANICAL & ENVIRONMENTAL SPECS SEE 'MALCO' CATALOG.
- CABLE ACCOMMODATION DIMENSIONS:
 JACKET DIA .110 MAX.
 DIELECTRIC DIA .057-.070
 INNER CONDUCTOR DIA .009-.019
 FOR USE WITH EXTRUDED OR WRAPPED JACKET.

TYCO NO.	MICRODOT NO.
4-1532226-6	132-0200-0001
0-1466329-1	132-0200-0002
	132-0200-0003
	132-0200-0004

QTY	CODE	PART NO.	NOMENCLATURE	MATERIAL & SPEC	FINISH	ITEM			
1	1	1	1	003-0861-0001	SEALING SLEEVE	SILICONE RUBBER PER ZZ-R-765	(10)		
1	1	1	1	003-0938-0002	MIDDLE CRIMP SLEEVE	LEADED COPPER	(3) (9)		
1	1	1	1	003-0939-0002	INNER CRIMP SLEEVE	BRASS PER QQ-B-626	(3) (8)		
1	1	1	1	003-0937-0001	CABLE INSULATOR	TEFLON PER L-P-403	(7)		
1	1	1	1	003-1336-0001	HOUSING INSULATOR	TEFLON PER L-P-403	(6)		
1	1	1	1	003-0807-0002	PIN CONTACT	BERYLLIUM COPPER PER QQ-C-530	(3) (5)		
(5)	1			003-1341-0004	HOUSING SUBASSY NUT .281" HEX		(3) (4)		
	1			003-1341-0003	HOUSING SUBASSY NUT .281" HEX		(3) (3)		
		1		003-1341-0002	HOUSING SUBASSY NUT .290" KNURLED		(3) (2)		
			1	003-1341-0001	HOUSING SUBASSY NUT .281" PARTIAL HEX		(3) (1)		
4	1	3	2	1	PART NUMBER	NOMENCLATURE	MATERIAL & SPEC	FINISH	ITEM

UNLESS OTHERWISE SPECIFIED DIMENSIONS ARE IN INCHES TOLERANCES ARE: FRACTIONS DECIMALS ANGLES = .005 = .001 = =		CONTRACT NO.		MALCO A MICRODOT COMPANY, INC. 220 PASADENA AVE., SO. PASADENA, CALIF. 91080	
APPROVALS		DATE		PREC. CODE	
DRAWN BY: [Signature]		DATE: 7/11/79		941	
CHECKED BY: [Signature]		DATE: 7/11/79		CODE	
MATERIAL: NOTED		APPD. [Signature]		CDM	
FINISH: NOTED		SIZE: B		CODE IDENT NO: 93278	
DRAWING NO. 132-0200-000*		DRAWING NO. 132-0200-000*		DRAWING NO. 132-0200-000*	