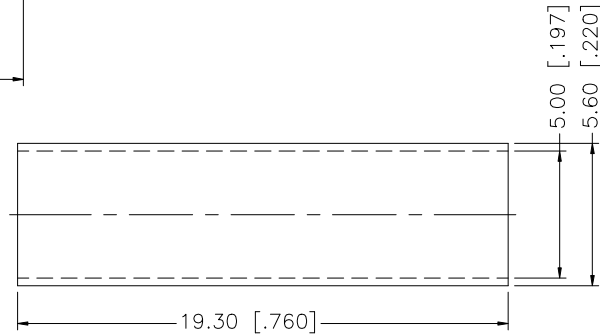
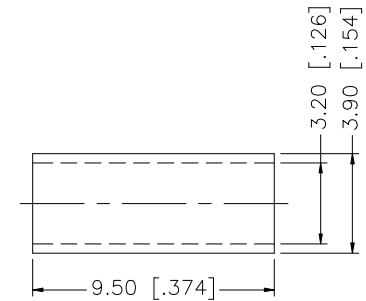
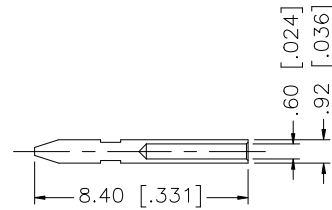
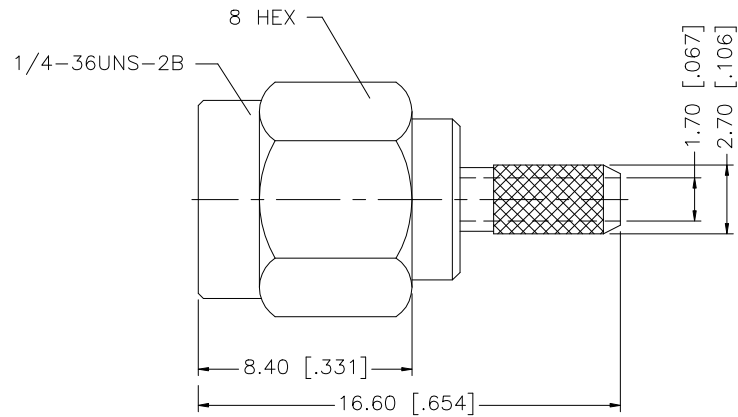
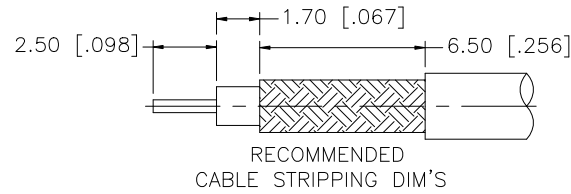


| REV. | DATE | DESCRIPTION |
|------|----------|-----------------------|
| NC | 02/04/03 | UPDATE DRAWING FORMAT |



NOTE:

1. CRIMPED FERRULE
HEX CRIMP SIZE .128"

| DESCRIPTION | MATERIAL | FINISH | QTY | DO NOT SCALE DRAWING | APPROVALS | DATE | Amphenol Connex | | | | | | | |
|-------------|--------------------|-------------|---------|----------------------|-----------|-------------------|-----------------|--|------|----|------|---|-------|----|
| 8 | | | | | DRAWN | G.R.S. | 02/04/03 | PART DESCRIPTION SMA CRIMP PLUG (RG-174/U, 188A/U, 316/U) | | | | | | |
| 7 | HEAT SHRINK TUBING | | | | CHECKED | | | | | | | | | |
| 6 | FERRULE | COPPER | GOLD | 1 | ISSUED | | | PART NO. 132114 | | | | | | |
| 5 | CONTACT PIN | BRASS | GOLD | 1 | SHEET | 1 OF 1 | | | | | | | | |
| 4 | GASKET | SILICONE | RED | 1 | CAD FILE | C:/132/132114.DWG | DWG. NO. | 132114.DWG | REV. | NC | SIZE | A | SCALE | NA |
| 3 | RETAINER RING | BER. COPPER | NATURAL | 1 | | | | | | | | | | |
| 2 | INSULATOR | TEFLON | NATURAL | 1 | | | | | | | | | | |
| 1 | SHELL/BODY | BRASS | GOLD | 1 | | | | | | | | | | |

UNLESS OTHERWISE SPECIFIED DIMENSIONS ARE IN MILLIMETERS. DIMENSIONS IN [] ARE IN INCHES AND FOR CUSTOMER REFERENCE ONLY.

UNLESS OTHERWISE SPECIFIED TOLERANCES FOR MILLIMETERS ARE:
0.5 - 8mm ± 0.20mm
8 - 30mm ± 0.40mm
30 - 120mm ± 0.50mm

UNLESS OTHERWISE SPECIFIED TOLERANCES FOR INCHES ARE:
.020 - .315 = ± 0.007"
.315 - 1.180 = ± 0.015"
1.180 - 4.724 = ± 0.020"