

4

3

2

1

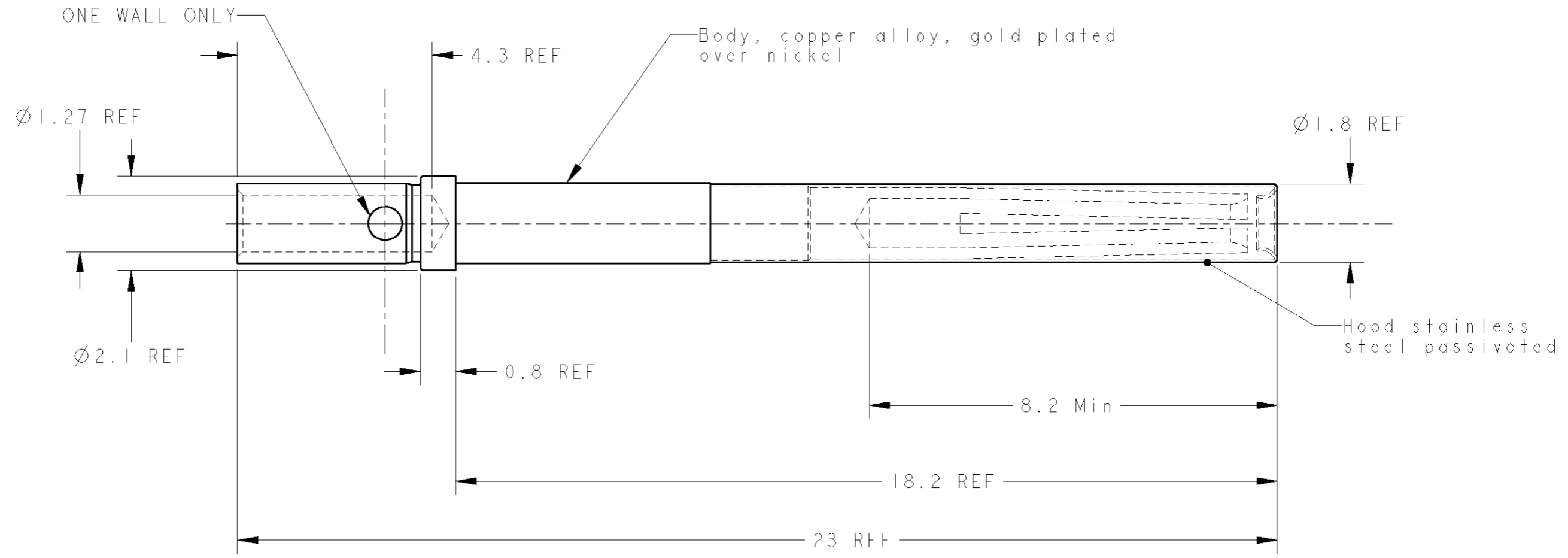
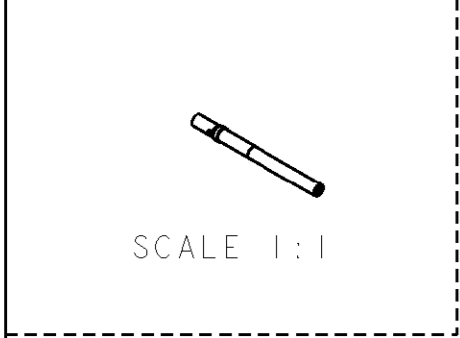
THIS DRAWING IS UNPUBLISHED.
 DIFFUSION RESTREINTE AMP

RELEASED FOR PUBLICATION
 LIBRE A LA DIFFUSION

20

© COPYRIGHT 20 BY TYCO ELECTRONICS CORPORATION. ALL RIGHTS RESERVED.
 TOUS DROITS RESERVES

LOC	DIST	REVISIONS			
P	LTR REV	DESCRIPTION MODIFICATIONS	DATE	DWN DESS.	APVD APP.
F	7	D	REDRAWN AND UPDATED	28JAN2004	J.D YP



TYCO P/N: 132155-1

Notes:

- FOR CONDUCTOR SECTION 0.93mm²- AWG18
 Pour conducteur section 0.93 mm²- AWG18
- CRIMPING HAND TOOL: MS3191-1 OR M22520/1-01
 LOCATOR M22520/1-02 IN POSITION 5
 Pince de sertissage MS3191-1 ou M22520/1-01
 Locator M22520/1-02 en position 5

<small>THIS DRAWING IS A CONTROLLED DOCUMENT FOR TYCO ELECTRONICS CORPORATION IT IS SUBJECT TO CHANGE AND THE CONTROLLING ENGINEERING ORGANIZATION SHOULD BE CONTACTED FOR THE LATEST REVISION. CE PLAN EST UN DOCUMENT CONTROLE PAR AMP INCORPORATED. IL EST SUSCEPTIBLE D'ETRE REVISE. CONTACTER LE SERVICE TECHNIQUE D'AMP DE FRANCE POUR OBTENIR LA DERNIERE REVISION.</small>		DWN/DESSINE 28JAN2004 J. DREUX CHK/VERIFIE 28JAN2004 Y. PETRONIN APVD/APPROUVE 28JAN2004 Y. PETRONIN		TYCO ELECTRONICS France SAS BP 39, 95301 CERGY-PONTOISE Cedex
DIMENSIONS: mm	TOLERANCES UNLESS OTHERWISE SPECIFIED: TOLERANCES NON SPECIFIEES (SUIV NB DE DECIMALES): 0 PLC/DEC: ± 1 PLC/DEC: ± 2 PLC/DEC: ± 3 PLC/DEC: ± 4 PLC/DEC: ± ANGLES ±	PRODUCT SPEC SPEC. PRODUIT APPLICATION SPEC SPEC. APPLICATION NOTE 2	NAME/TITRE SOCKET ASS'Y, SIZE 20, REAR RELEASE, TYPE XVII	
MATERIAL/MATIERE	FINISH/FINITION	WEIGHT MASSE APPROX. -	SIZE FORMAT A3	CAGE CODE 00779
		DRAWING NO No PLAN C=132155	RESTRICTED TO RESERVE A -	
CUSTOMER DRAWING /PLAN CLIENT		UNIQUEMENT POUR REFERENCE	SCALE ECHELLE 10:1	SHEET FEUILLE 1 OF DE 1 REV D