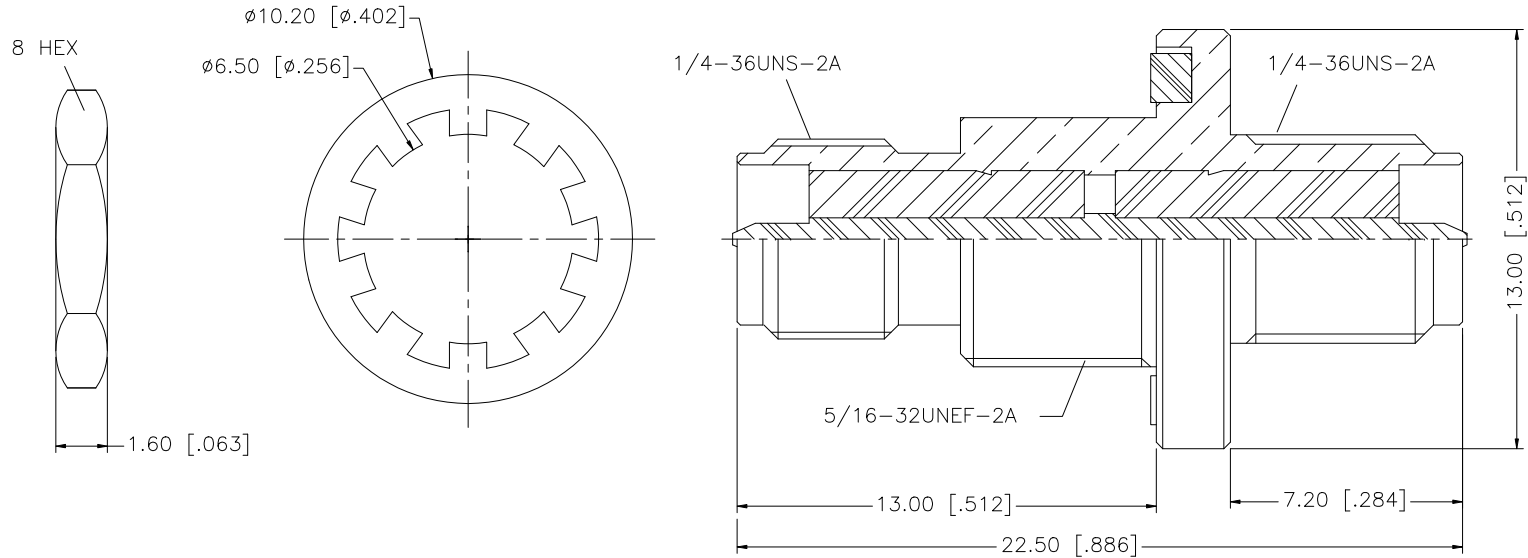


REV.	DATE	DESCRIPTION
NC	12/20/07	INITIAL RELEASE



8				
7				
6	HEX NUT	BRASS	GOLD	1
5	LOCK WASHER	BRASS	GOLD	1
4	GASKET	SILICON	RED	1
3	CONTACT PIN	BRASS	GOLD	1
2	INSULATOR	TEFLON	NATURAL	1
1	BODY	BRASS	GOLD	1
DESCRIPTION	MATERIAL	FINISH	QTY	

UNLESS OTHERWISE SPECIFIED DIMENSIONS ARE IN MILLIMETERS. DIMENSIONS IN [ ] ARE IN INCHES AND FOR CUSTOMER REFERENCE ONLY.	APPROVALS	DATE
UNLESS OTHERWISE SPECIFIED TOLERANCES FOR MILLIMETERS ARE: 0.5 - 8mm ± 0.20mm 8 - 30mm ± 0.40mm 30 - 120mm ± 0.50mm	DRAWN G.R.S.	12/20/07
UNLESS OTHERWISE SPECIFIED TOLERANCES FOR INCHES ARE: .020 - .315 = ± 0.007" .315 - 1.180 = ± 0.015" 1.180 - 4.724 = ± 0.020"	CHECKED	
	ISSUED	
	SHEET 1 OF 1	
	CAD FILE	
DO NOT SCALE DRAWING	C:/132/132170-10RP-RP.DWG	

<h1>Amphenol Connex</h1>			
PART DESCRIPTION SMA REVERSE POLARITY BULKHEAD JACK TO JACK ADAPTER			
PART NO. 132170-10RP-RP			
DWG. NO.	132170-10RP-RP.DWG	REV.	NC
SIZE	A	SCALE	NA