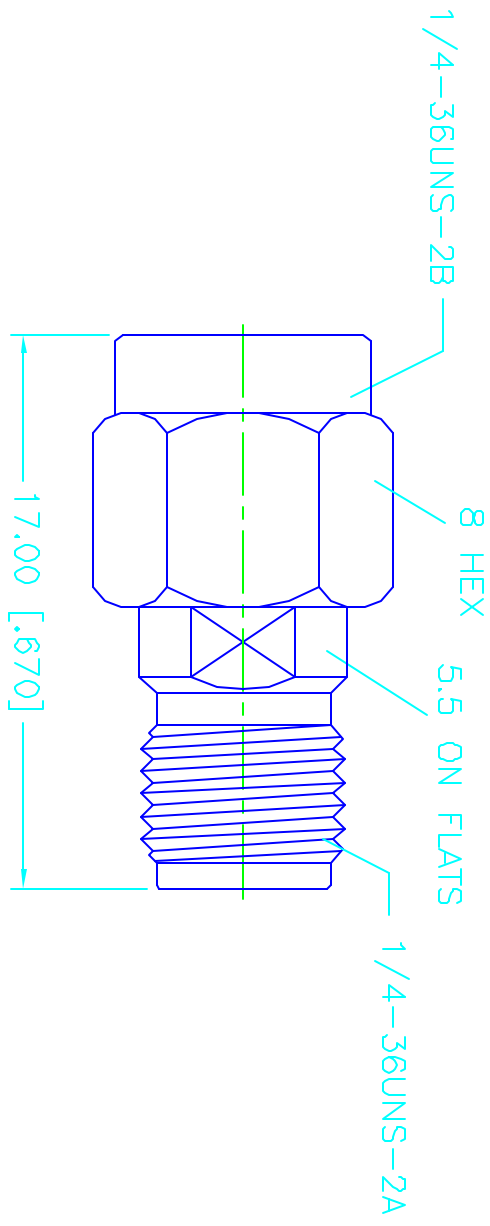


REV.	DATE	DESCRIPTION
NC	04/22/00	INITIAL RELEASE



DESCRIPTION	MATERIAL	FINISH	UNLESS OTHERWISE SPECIFIED DIMENSIONS ARE IN MILLIMETERS DIMENSIONS IN [] ARE IN INCHES FOR CUSTOMER REFERENCE ONLY	APPROVALS	DATE	comnex Connector Corporation SMA PLUG REVERSE POLARIZED TO SMA JACK Connector Corporation 132171RP-10.DWG 132171RP-10.DWG 1 OF 1	
1 BODY	BRASS	GOLD	UNLESS OTHERWISE SPECIFIED TOLERANCES FOR MILLIMETERS ARE: 0.5-6 = ± 0.2 6-30 = ± 0.4 30-120 = ± 0.6 120-315 = ± 1 315-1000 = ± 1.6 1000-2000 = ± 2.4 DO NOT SCALE DRAWINGS	DRAWN	G.R.S.		04/22/00
2 INSULATOR	TEFLON	NATURAL		CHECKED			
3 CONTACT PIN	BRASS	GOLD		ISSUED			
4 RETAINER RING	BER. COPPER	GOLD					
5 GASKET	SILICONE	RED					
6							
7							
8							