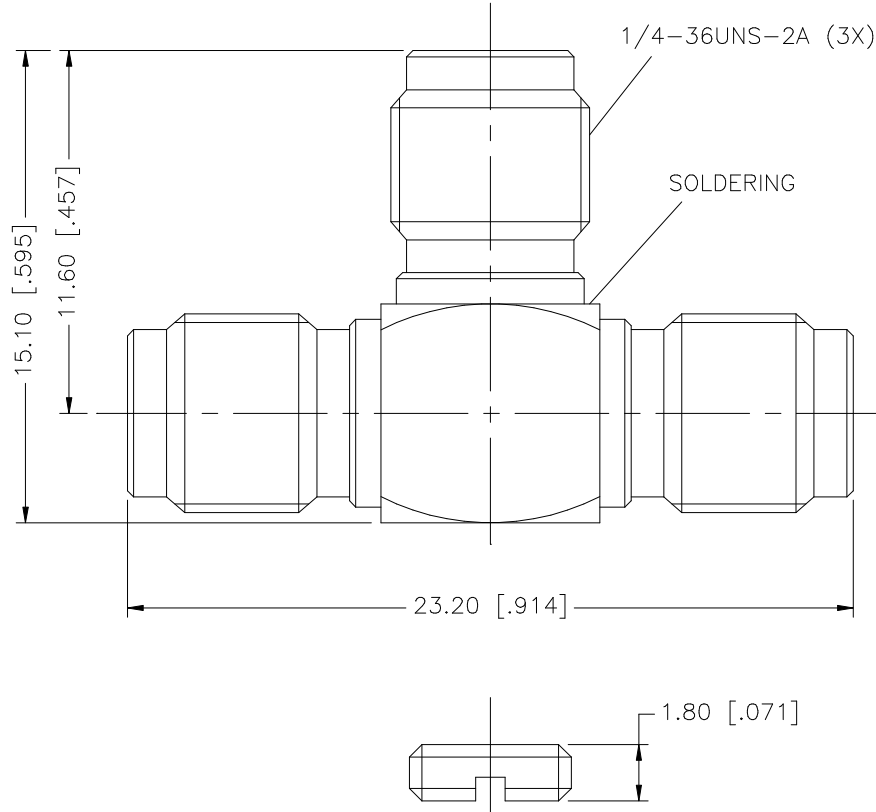


REV.	DATE	DESCRIPTION
NC	12/08/97	INITIAL RELEASE
A	09/24/06	UPDATE DRAWING FORMAT



8				
7				
6				
5				
4				
3	CONTACT PIN	BER. COPPER	GOLD	3
2	INSULATOR	TEFLON	NATURAL	1
1	BODY	BRASS	GOLD	1
DESCRIPTION	MATERIAL	FINISH	QTY	

UNLESS OTHERWISE SPECIFIED DIMENSIONS ARE IN MILLIMETERS. DIMENSIONS IN [ ] ARE IN INCHES AND FOR CUSTOMER REFERENCE ONLY.

UNLESS OTHERWISE SPECIFIED TOLERANCES FOR MILLIMETERS ARE:  
0.5 - 8mm ± 0.20mm  
8 - 30mm ± 0.40mm  
30 - 120mm ± 0.50mm

UNLESS OTHERWISE SPECIFIED TOLERANCES FOR INCHES ARE:  
.020 - .315 = ± 0.007"  
.315 - 1.180 = ± 0.015"  
1.180 - 4.724 = ± 0.020"

DO NOT SCALE DRAWING

APPROVALS	DATE
DRAWN G.R.S.	09/24/06
CHECKED	
ISSUED	
SHEET 1 OF 1	
CAD FILE	
C:/132/132216.DWG	

# Amphenol Connex

PART DESCRIPTION  
SMA "T" ADAPTER JACK-JACK-JACK

PART NO. 132216

DWG. NO. 132216.DWG      REV. A      SIZE A      SCALE NA