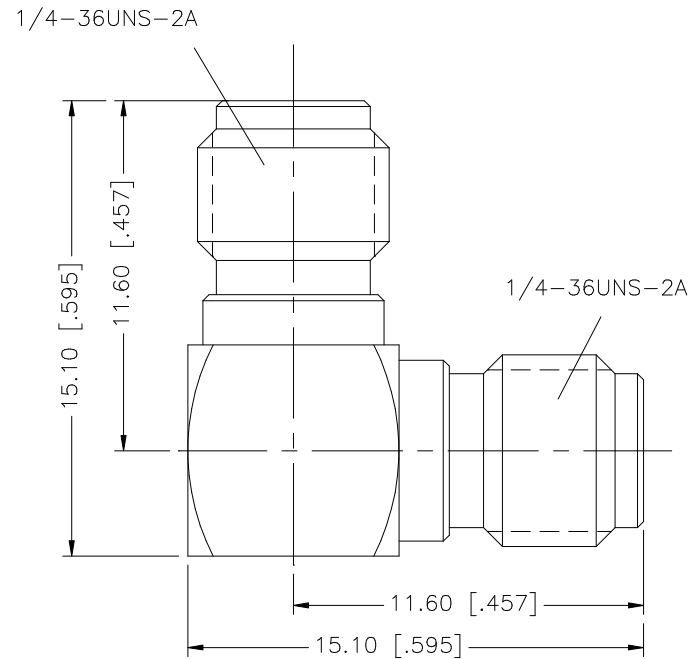


| REV. | DATE | DESCRIPTION |
|------|----------|-----------------------|
| NC | 08/10/99 | INITIAL RELEASE |
| A | 09/26/06 | UPDATE DRAWING FORMAT |



| | | | | | | | | | |
|---|-------------|-------------|---------|-----|--|--------------------|--------|---------------------------|---|
| 8 | | | | | UNLESS OTHERWISE SPECIFIED DIMENSIONS ARE IN MILLIMETERS. DIMENSIONS IN [] ARE IN INCHES AND FOR CUSTOMER REFERENCE ONLY. | APPROVALS | DATE | <h1>Amphenol Connex</h1> | |
| 7 | | | | | | DRAWN | G.R.S. | | 09/26/06 |
| 6 | | | | | | CHECKED | | | PART DESCRIPTION SMA FEMALE TO FEMALE R/A ADAPTER |
| 5 | | | | | | ISSUED | | | |
| 4 | COVER | BRASS | GOLD | 1 | UNLESS OTHERWISE SPECIFIED TOLERANCES FOR MILLIMETERS ARE: 0.5 - 8mm ± 0.20mm 8 - 30mm ± 0.40mm 30 - 120mm ± 0.50mm | SHEET | 1 OF 1 | PART NO. 132274 | |
| 3 | CONTACT PIN | BER. COPPER | GOLD | 1 | | | | | |
| 2 | INSULATOR | TEFLON | NATURAL | 1 | UNLESS OTHERWISE SPECIFIED TOLERANCES FOR INCHES ARE: .020 - .315 = ± 0.007" .315 - 1.180 = ± 0.015" 1.180 - 4.724 = ± 0.020" | CAD FILE | | DWG. NO. 132274.DWG | |
| 1 | BODY | BRASS | GOLD | 1 | | C:/132/1132274.DWG | | | REV. A |
| | DESCRIPTION | MATERIAL | FINISH | QTY | DO NOT SCALE DRAWING | | | | |