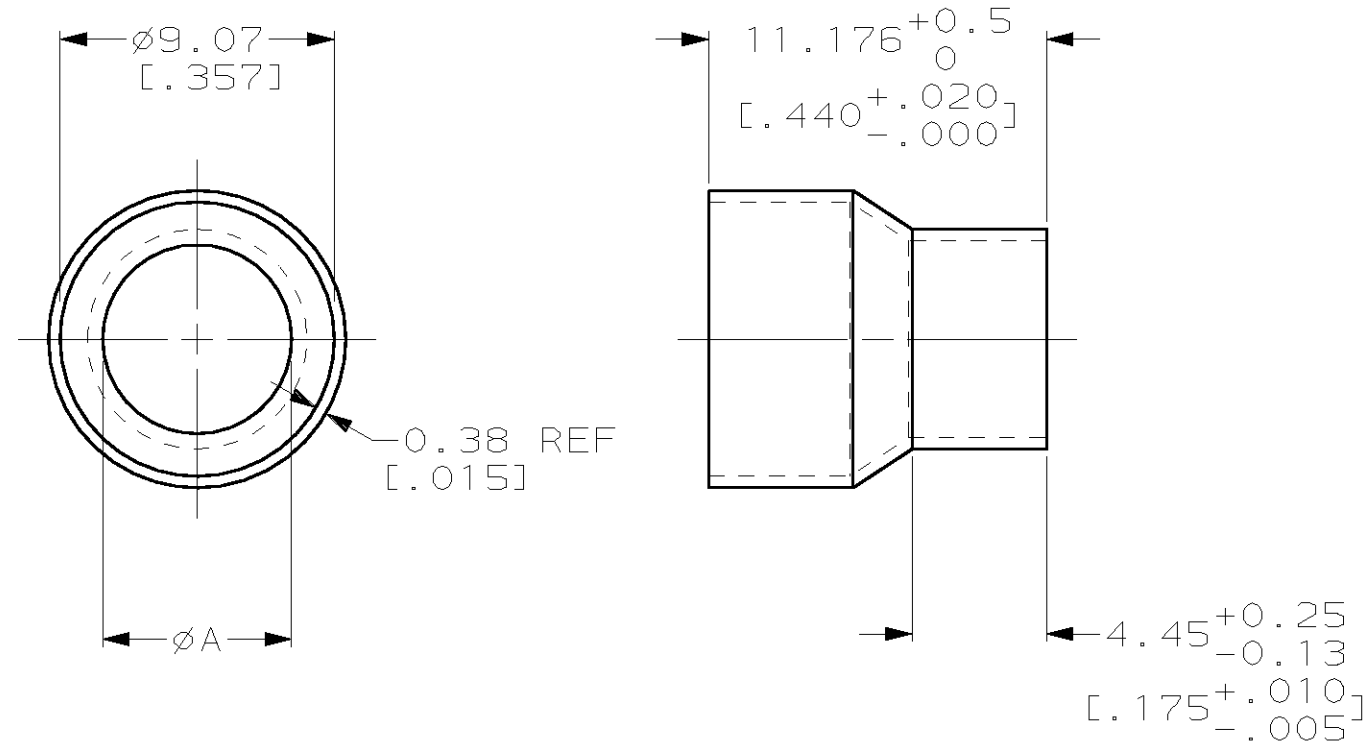
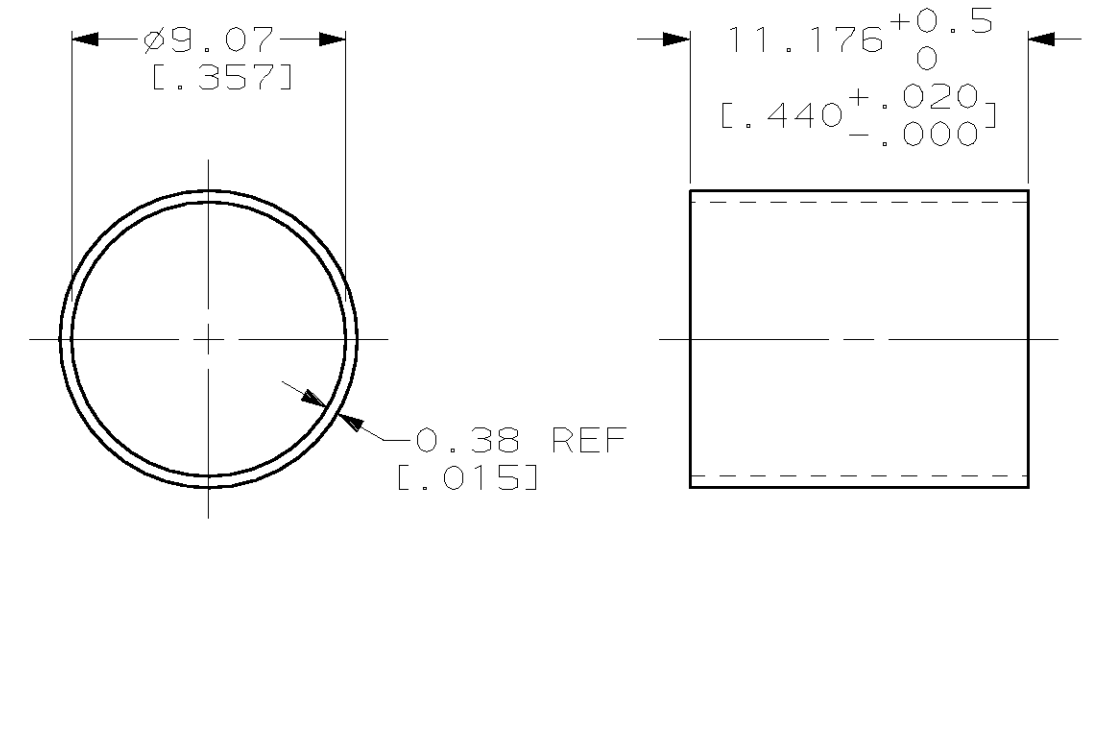


THIS DRAWING IS UNPUBLISHED. RELEASED FOR PUBLICATION ,19 .  
 © COPYRIGHT 19 BY AMP INCORPORATED. ALL RIGHTS RESERVED.

LOC	DIST	REVISIONS			
P	LTR	DESCRIPTION	DATE	DWN	APVD
GP	00	B	REVISED PER EC 0513-0165-04	19MAY04	JG CR



STYLE I



STYLE II

- ① 0.0051 [.000200] MIN BRIGHT TIN OR BRIGHT TIN-LEAD OVER 0.0025 [.000100] MIN COPPER.
- ② 0.0051 [.000200] MIN BRIGHT TIN OVER 0.0025 [.000100] MIN COPPER.

FINISH	INSULATION RANGE DIAMETER, REF	STYLE	A	PART NUMBER
②	4.06-4.83 [.160-.190]	I	6.29 [.246]	1-1324504-2
②	5.46-6.22 [.215-.245]	I	7.62 [.300]	1-1324504-1
②	5.97-6.73 [.235-.265]	II	-	1-1324504-0
①	4.06-4.83 [.160-.190]	I	6.29 [.246]	1324504-9
①	5.46-6.22 [.215-.245]	I	7.62 [.300]	1324504-8
①	5.97-6.73 [.235-.265]	II	-	1324504-7

**COPYRIGHT 2002  
 TYCO ELECTRONICS CORP  
 ALL RIGHTS RESERVED**

THIS DRAWING IS A CONTROLLED DOCUMENT.		DWN J. GERACE 18JAN02	AMP Incorporated Harrisburg, PA 17105-3608													
DIMENSIONS: mm [INCHES]		CHK C. ROHDE 18JAN02	AMP FERRULE, OUTER, HSSDC/HSSDC2													
TOLERANCES UNLESS OTHERWISE SPECIFIED:		APVD M. WALMSLEY 18JAN02														
<table border="0"> <tr><td>0 PLC</td><td>±-</td></tr> <tr><td>1 PLC</td><td>±-</td></tr> <tr><td>2 PLC</td><td>±0.13 [.005]</td></tr> <tr><td>3 PLC</td><td>±-</td></tr> <tr><td>4 PLC</td><td>±-</td></tr> <tr><td>ANGLES</td><td>±-</td></tr> </table>		0 PLC	±-	1 PLC	±-	2 PLC	±0.13 [.005]	3 PLC	±-	4 PLC	±-	ANGLES	±-	PRODUCT SPEC -	NAME	
0 PLC	±-															
1 PLC	±-															
2 PLC	±0.13 [.005]															
3 PLC	±-															
4 PLC	±-															
ANGLES	±-															
MATERIAL STEEL, ANNEALED	FINISH SEE TABLE	APPLICATION SPEC -	SIZE A3	CAGE CODE 00779	DRAWING NO C- 1324504	RESTRICTED TO -										
CUSTOMER DRAWING			SCALE 4:1	SHEET 1 OF 1	REV B											