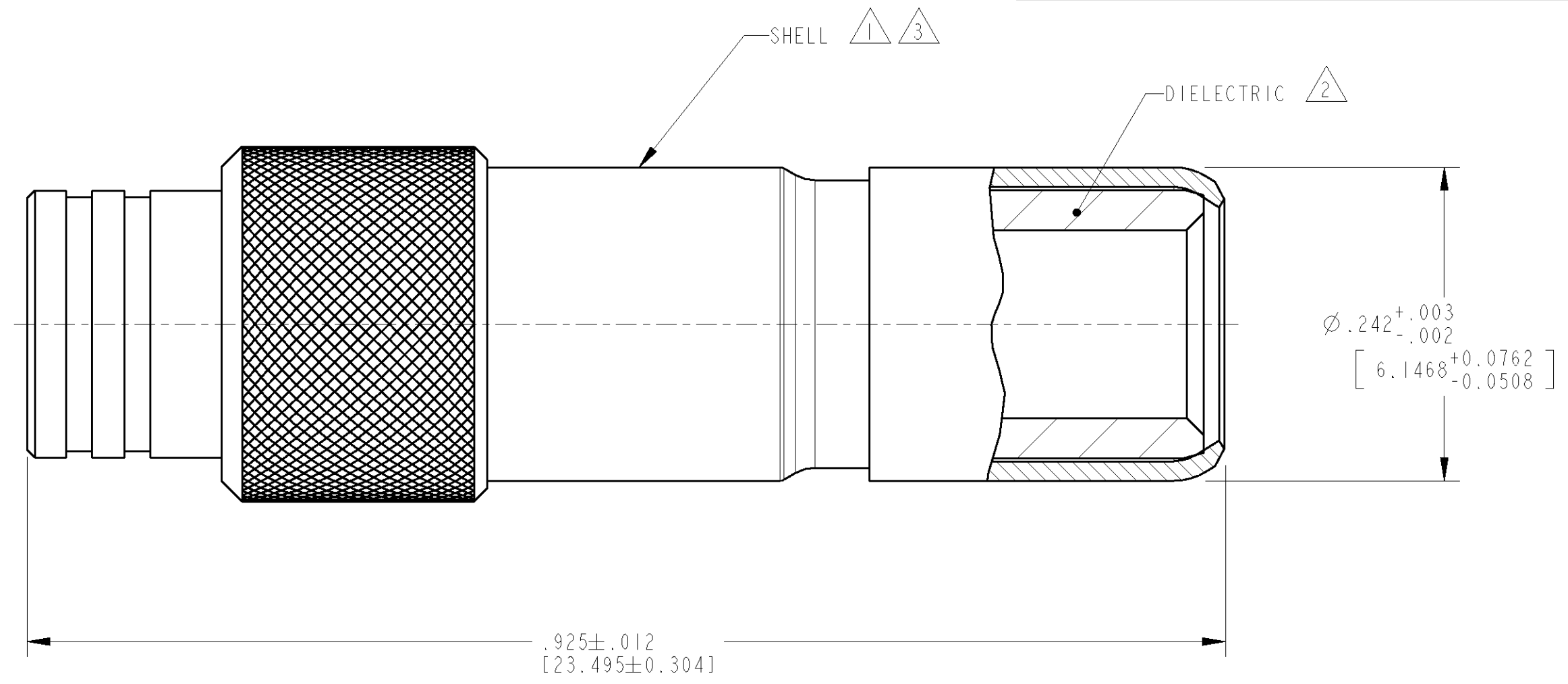


THIS DRAWING IS UNPUBLISHED. RELEASED FOR PUBLICATION 20  
 © COPYRIGHT 20 BY TYCO ELECTRONICS CORPORATION. ALL RIGHTS RESERVED.

LOC	DIST	REVISIONS			
P	LTR	DESCRIPTION	DATE	DWN	APVD
GE	00	0	RLSD PER EC 0K40-0431-04	21DEC2004	RDW LLV



- 1 MATERIAL: BRASS PER QQ-B-626.
- 2 MATERIAL: POLYMETHYLPENTENE (TPX)
- 3 FINISH: BRIGHT TIN PLATE PER ASTM-B-545

1326947-1  
 PART NUMBER

<small>THIS DRAWING IS A CONTROLLED DOCUMENT FOR TYCO ELECTRONICS CORPORATION          IT IS SUBJECT TO CHANGE AND THE CONTROLLING ENGINEERING ORGANIZATION          SHOULD BE CONTACTED FOR THE LATEST REVISION.</small>		DWN R. WOOTEN 21DEC2004 CHK L. VARSIK 21DEC2004 APVD L. VARSIK 21DEC2004		Tyco Electronics Harrisburg, PA 17105-3608	
DIMENSIONS: INCHES [mm]		TOLERANCES UNLESS OTHERWISE SPECIFIED: 0 PLC ±- 1 PLC ±- 2 PLC ±- 3 PLC ±- 4 PLC ±- ANGLES ±-		NAME SUB ASSEMBLY, JACK SNAP-LOCK	
MATERIAL 1 2		FINISH 3		PRODUCT SPEC - APPLICATION SPEC - WEIGHT -	
CUSTOMER DRAWING				SIZE A3 CAGE CODE 00779 DRAWING NO C-1326947	RESTRICTED TO - SCALE 10:1 SHEET 1 OF 1 REV 0