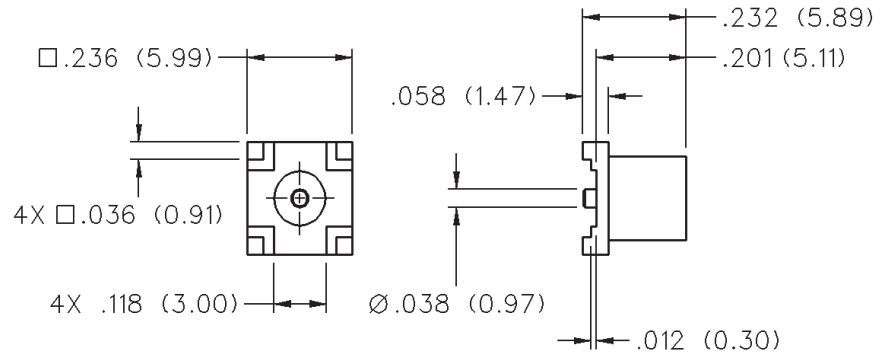


# MCX 50 Ohm Straight Jack Receptacle - Surface Mount



INCHES (MILLIMETERS)  
CUSTOMER DRAWINGS AVAILABLE UPON REQUEST



GOLD PLATED	TIN PLATED	PACKAGING
133-3711-211	133-3711-217	STOCK
133-3711-212	133-3711-218	TAPE AND REEL 750 pcs/reel

Tape and Reel  $.472$  (12.0) component pitch X  $.630$  (16.0) wide.

### Recommended Land Pattern

