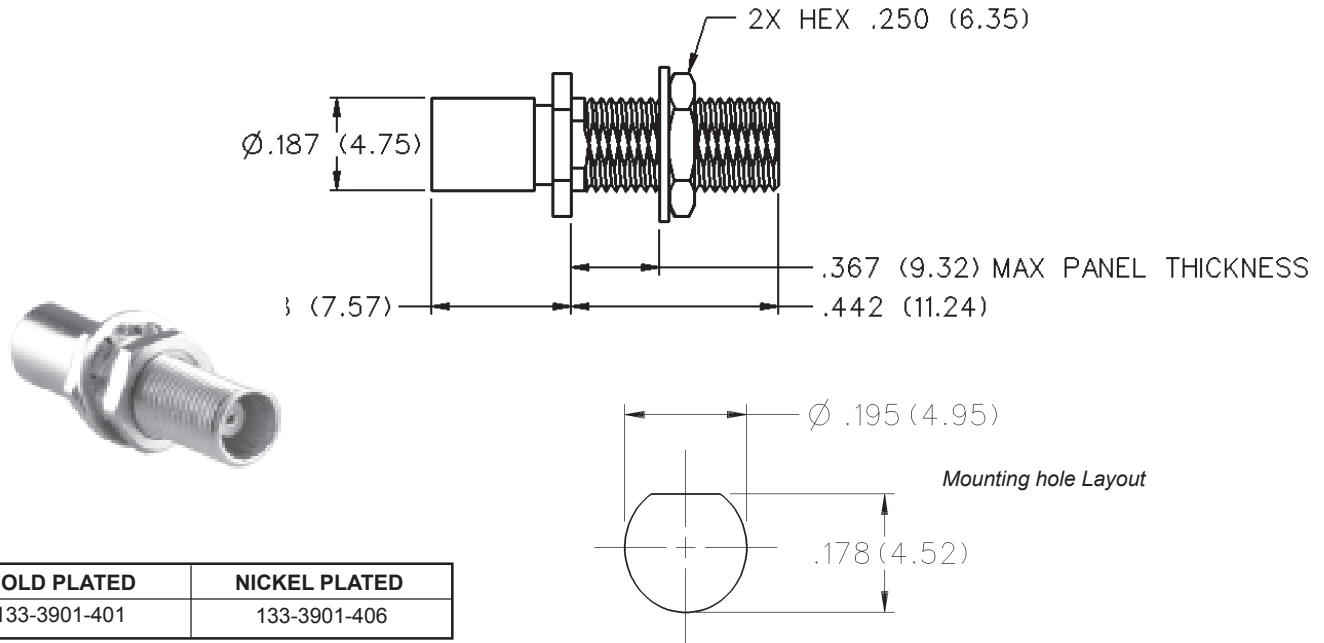


MCX 50 Ohm Jack to Bulkhead Jack Adapter



INCHES (MILLIMETERS)
CUSTOMER DRAWINGS AVAILABLE UPON REQUEST



GOLD PLATED	NICKEL PLATED
133-3901-401	133-3901-406

