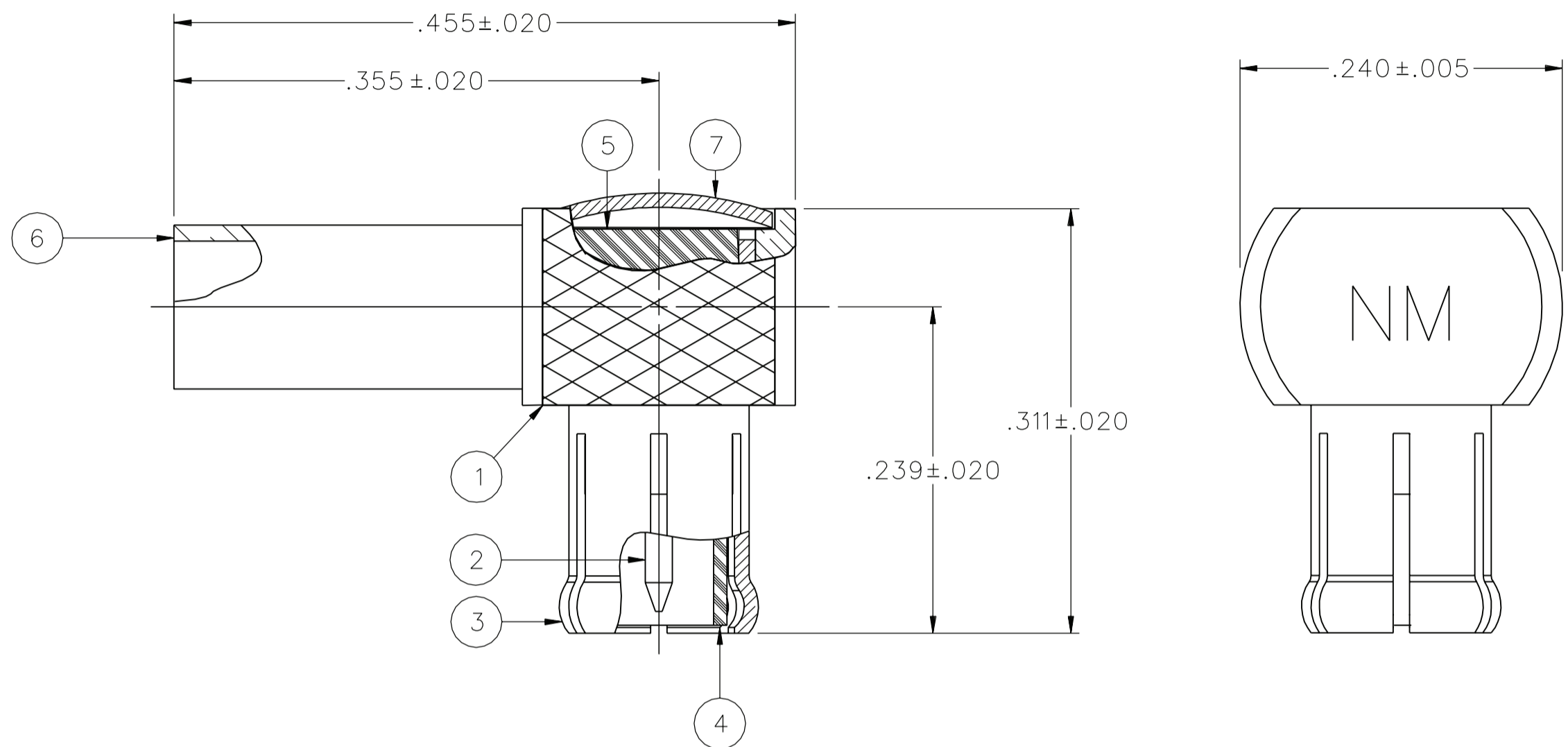


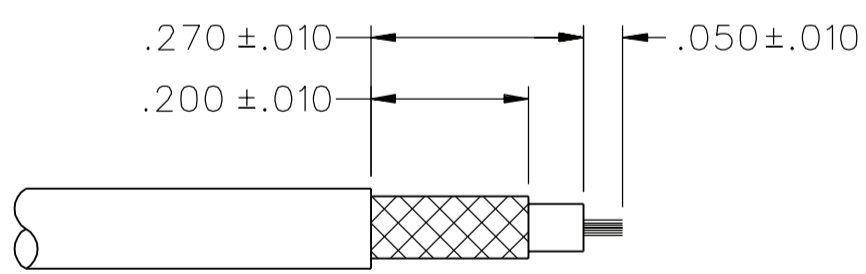
PART NUMBER	ITEM ① BODY	ITEM ② CONTACT	ITEM ③ INTERFACE	ITEM ④ INSULATOR	ITEM ⑤ INSULATOR	ITEM ⑥ CRIMP SLEEVE	ITEM ⑦ END CAP
133-9402-101	COPPER ALLOY GOLD PL .00005 MIN OVER COPPER PL .00005 MIN	COPPER ALLOY GOLD PL .00005 MIN OVER COPPER PL .00005 MIN	COPPER ALLOY GOLD PL .00005 MIN OVER COPPER PL .00005 MIN	TEFLON	TEFLON	COPPER ALLOY GOLD PL .00005 MIN OVER COPPER PL .00005 MIN	COPPER ALLOY GOLD PL .00005 MIN OVER COPPER PL .00005 MIN

DRAWING NO. C - 133-9402-101/110	
0	REVISIONS
ENGINEERING RELEASE	
1	2-5-08 P A T R J B M J U J C N 2-6-08 ECN 51376
VERSION UPDATE ***** * REVISION NUMBER FOLLOWED BY AN ALPHA * * CHARACTER INDICATES DRAWING CLARIFI- * * CATION OR PART NUMBER ADDITION ONLY. * *****	
1a	1-22-09 P A T R J B M J U J C N 1-27-09 ECN 51755




NOTES:

- SPECIFICATIONS:
  - IMPEDANCE: 50 OHMS
  - WORKING VOLTAGE: 250 VRMS MAX AT SEA LEVEL
  - DIELECTRIC WITHSTANDING VOLTAGE: 750 VRMS MIN AT SEA LEVEL
  - INSULATION RESISTANCE: 10000 MEGOHM MIN
  - CONTACT RESISTANCE:
    - CENTER CONTACT - INITIAL 5 MILLIOHM MAX, AFTER ENVIRONMENTAL 15 MILLIOHM MAX
    - OUTER CONDUCTOR - GOLD PLATED INITIAL 1 MILLIOHM MAX, AFTER ENVIRONMENTAL 1.5 MILLIOHM MAX
    - NICKEL PLATED INITIAL 2.5 MILLIOHM MAX, AFTER ENVIRONMENTAL 3.5 MILLIOHM MAX
  - BODY TO CABLE - GOLD PLATED INITIAL 1 MILLIOHM MAX, AFTER ENVIRONMENTAL NOT APPLICABLE
  - NICKEL PLATED INITIAL 2.5 MILLIOHM MAX, AFTER ENVIRONMENTAL NOT APPLICABLE
  - CORONA LEVEL: 250 VOLTS MINIMUM AT 70,000 FEET
  - INSERTION LOSS: .2 DB MAX AT 1GHz
  - RF LEAKAGE: -70 DB AT 2.5 GHz
  - RF HIGH POTENTIAL WITHSTANDING VOLTAGE: 500 VRMS AT 4 AND 7 MHZ
- MECHANICAL:
  - ENGAGE/DISENGAGE FORCE: 5.6 LBS MAX ENGAGEMENT 1.0/8.0 LBS MIN/MAX DISENGAGEMENT
  - CONTACT RETENTION FORCE: 2.3 LBS MIN AXIAL FORCE
  - CONTACT RETENTION TORQUE: NOT APPLICABLE
  - COUPLING MECHANISM RETENTION: NOT APPLICABLE
  - CABLE ACCEPTABILITY: RG 178, RG 196
  - CABLE HEX CRIMP SIZE: .105
  - CABLE RETENTION: 10 LBS MIN AXIAL FORCE
  - DURABILITY: 500 CYCLES MIN
- ENVIRONMENTAL:
  - (MEETS OR EXCEEDS THE APPLICABLE PARAGRAPH OF MIL-PRF-39012)
  - THERMAL SHOCK: MIL-STD-202, METHOD 107, CONDITION F
  - OPERATING TEMPERATURE: -65 DEG C TO 165 DEG C
  - CORROSION: MIL-STD-202, METHOD 101, CONDITION B
  - SHOCK: MIL-STD-202, METHOD 213, CONDITION B
  - VIBRATION: MIL-STD-202, METHOD 204, CONDITION B
  - MOISTURE RESISTANCE: MIL-STD-202, METHOD 106



CABLE STRIP DIMENSIONS  
4:1

CUSTOMER DRAWING  
THIS DRAWING TO BE INTERPRETED PER ASME Y 14.5M - 1994  
"μ STATION"  
COMPANY CONFIDENTIAL

TOLERANCE UNLESS OTHERWISE SPECIFIED	DRAWN BY RJB	DATE 2-5-08	 <b>Cinch</b> CONNECTIVITY SOLUTIONS a bel group	Cinch Connectivity Solutions P.O. Box 1732 Waseca, MN 56093 1-800-247-8256
DECIMALS _____ mm _____	CHECKED BY RJB	DATE 2-6-08		TITLE PLUG ASSEMBLY, RIGHT ANGLE CABLED, NON-MAGNETIC MCX, RG 178
.XXX _____	APPROVED BY TJS	DATE 2-6-08	SHEET 2 OF 2	DRAWING NO. C - 133-9402-101/110
MATL _____	RELEASE DATE 2-6-08	SCALE 10:1		
FINISH _____	U/M INCH	SCALE 10:1		