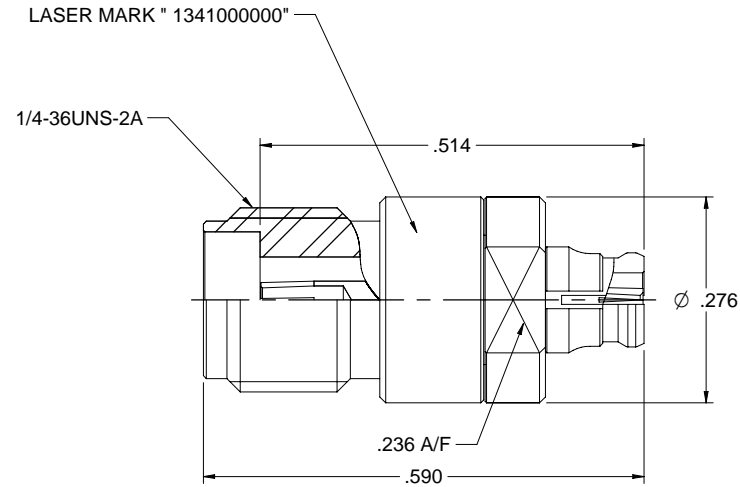


MODEL NO.	PACKAGING
134-1000-000	ONE PCS PER BAG

REV	ECO	DATE
001	ECO-17-0028	11/28/2017



NOTES: UNLESS OTHERWISE SPECIFIED

1. MATERIAL & FINISH:

- 1.1 BODY: PASSIVATED STAINLESS STEEL
- 1.2 CONTACT PIN, RING & CONTACT BODY: GOLD PLATED BERYLLIUM COPPER
- 1.3 INSULATOR: PEEK NATURAL

2. ELECTRICAL:

- 2.1 IMPEDANCE: 50 OHMS
- 2.2 FREQUENCY RANGE: 0-40 GHz
- 2.3 VOLTAGE STANDING WAVE RATIO: 1.25 MAX
- 2.4 DIELECTRIC WITHSTANDING VOLTAGE: 500 VRMS MIN
- 2.5 CONTACT RESISTANCE:
 - 2.5.1 CENTER CONTACT: 6 MILLIOHM MAX
 - 2.5.2 OUTER CONTACT: 2 MILLIOHM MAX
- 2.6 INSULATOR RESISTANCE: 5000 MEGOHM MIN

3. MECHANICAL:

- 3.1 ENGAGEMENT FORCE: FULL DETENT 68 N MAX, LIMITED DETENT 45 N MAX, SMOOTH BORE 9 N MAX (SMP)
0.23 NM MAX (SMK)
- 3.2 DISENGAGEMENT FORCE: FULL DETENT 22 N MIN, LIMITED DETENT 9 N MIN, SMOOTH BORE 2.2 N MIN (SMP)
0.23 NM MAX (SMK)
- 3.3 CONTACT RETENTION: 22N MIN
- 3.4 DURABILITY: 500CYCLES MIN (SMK)
FULL DETENT 100 CYCLES MIN, LIMITED DETENT 500 CYCLES MIN, SMOOTH BORE 1000CYCLES MIN (SMP)

4. ENVIRONMENT:

- 4.1 THERMAL SHOCK: MIL-STD-202, METHOD 107, CONDITION B.
- 4.2 OPERATING TEMPERATURE: -55TO 125°C
- 4.3 SALT SPRAY: MIL-STD-202, METHOD 101, CONDITION B
- 4.4 SHOCK: MIL-STD-202, METHOD 213, CONDITION I
- 4.5 VIBRATION: MIL-STD-202, METHOD 204, CONDITION D
- 4.6 MOISTURE RESISTANCE: MIL-STD-202, METHOD 106

	Model No. 134-1000-000		
<small>RoHS2 Compliant</small> <small>REACH Compliant</small> <small>ISO 9001 Certified</small>	<small>2011/65/EU</small> <small>XXXX - 02</small> <small>XXXX - 01</small> <small>ANGLES: 45°</small>	<small>DATE</small> Betty Yu 10/10/2017	<small>FILE</small> ADAPTER ASSEMBLY, SMK (2.92mm) JACK TO SMP JACK <small>DRAWING No.</small> 134-1000-000 <small>REV</small> 001 <small>DO NOT SCALE DRAWINGS</small> NONE <small>SHEET</small> Sheet 1 of 1